

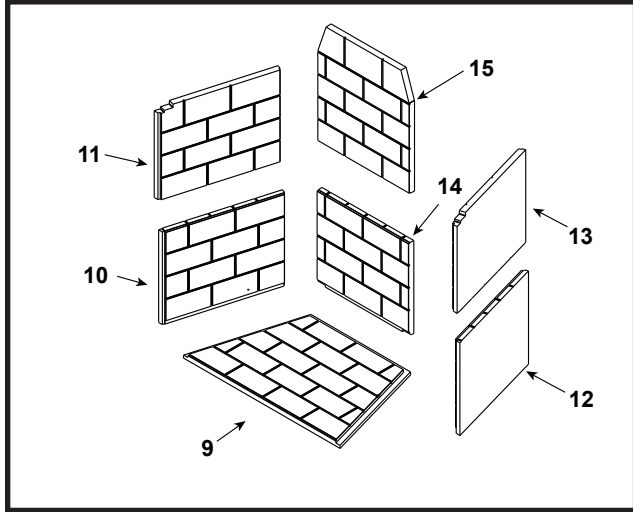
IMPORTANT: THIS IS DATED INFORMATION. When requesting service or replacement parts for your appliance please provide model number and serial number. All parts listed in this manual may be ordered from an authorized dealer.



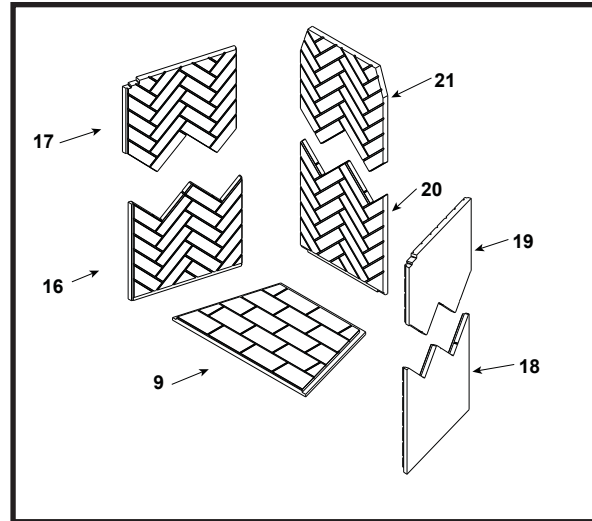
**Stocked at Depot**

ITEM	DESCRIPTION	COMMENTS	PART NUMBER	
1	Damper Blade Assembly		4059-030	
2	Damper Control		35159	
3	Outside Air Collar Assembly	Qty 2 req	4059-037	
4	OA Door	Qty 2 req	4059-049	
5	Firescreen Assembly W/Rod	Qty 2 req	4059-053	Y
6	Screen Rod	Qty 2 req	SRV4059-512	Y
	Screen Rod Clips	Qty 2 req	4059-111	Y
7	Firescreen Assembly		4059-054	
8	Grate Assembly		GR30	Y
9	Hearth Molded Brick Panel		4059-556	
	Mortar	25 LB Box	4059-316	
	Outside Air Hood	Qty 2 req	SRV4059-051	
	Installation Manual		4059-340	

**Traditional Molded Brick Panel**



**Herringbone Molded Brick Panel**



IMPORTANT: THIS IS DATED INFORMATION. When requesting service or replacement parts for your appliance please provide model number and serial number. All parts listed in this manual may be ordered from an authorized dealer.



**Stocked at Depot**

ITEM	DESCRIPTION	COMMENTS	PART NUMBER	
<b>Traditional Molded Brick Panel</b>				
10	Lower Left Panel		4059-350	
11	Upper Left Panel		4059-351	
12	Lower Right Panel		4059-352	
13	Upper Right Panel		4059-353	
14	Lower Rear Panel		4059-554	
15	Upper Rear Panel		4059-555	
<b>Herringbone Molded Brick Panel</b>				
16	Lower Left Panel		4059-357	
17	Upper Left Panel		4059-358	
18	Lower Right Panel		4059-359	
19	Upper Right Panel		4059-360	
20	Lower Rear Panel		4059-561	
21	Upper Rear Panel		4059-562	
	Refractory Fastener Pack		4059-043	
	Contains: 25 #6 X 1 1/2" Panhead screw, 3/32" Drill Bit, 17 T- Brackets, 2 Y-Brackets, 6 Clips,			