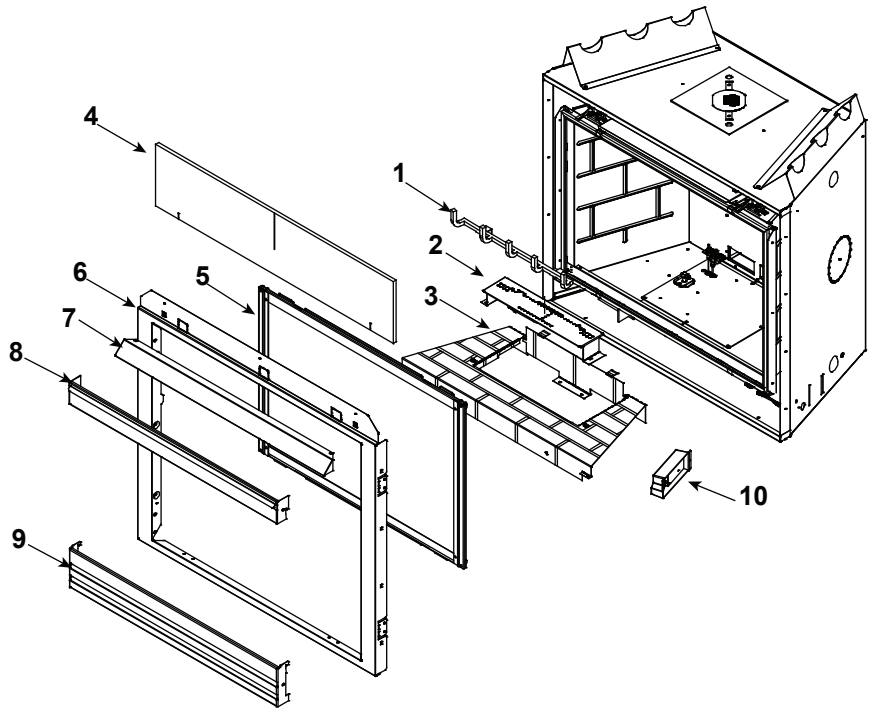


Log Set Assembly



IMPORTANT: THIS IS DATED INFORMATION. Parts must be ordered from a dealer or distributor. **Hearth and Home Technologies does not sell directly to consumers.** Provide model number and serial number when requesting service parts from your dealer or distributor.



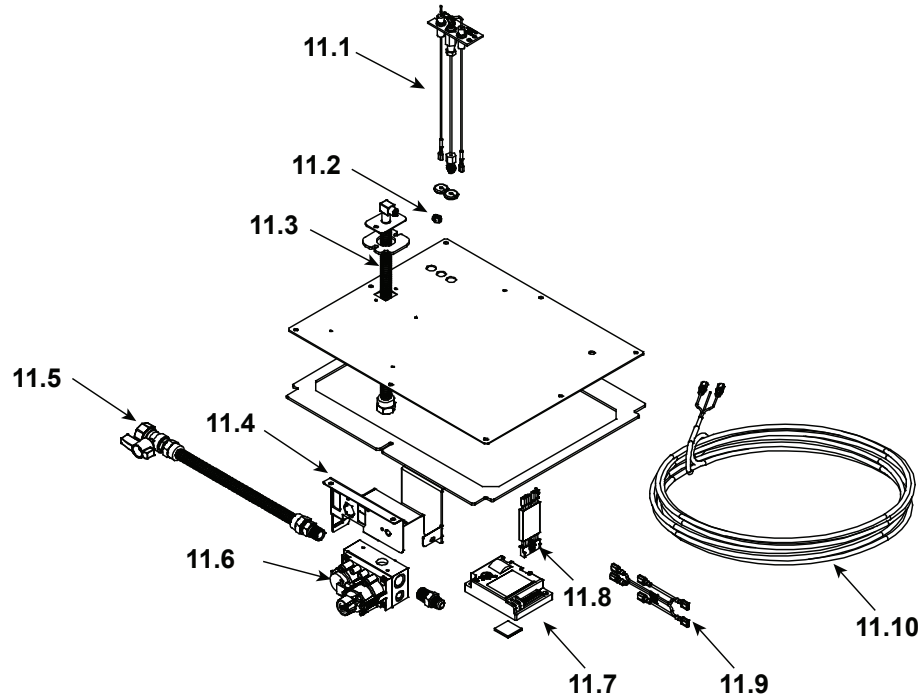
Stocked at Depot

ITEM	DESCRIPTION	COMMENTS	PART NUMBER	
	Log Assembly (Set Only)		LOGS-BE41	Y
1	Grate Assembly	No longer available	SRV60-361A	
2	Burner Assembly		SRV2105-007	Y
3	Base Pan	No longer available	381-124	
4	Non-Combustible Board	No longer available	2101-312	
5	Glass Assembly		GLA-6000G	Y
6	Surround	No longer available	SRV2101-260	
7	Hood		SRV60-143-BK	
8	Top Louver	No longer available	394-249	
9	Lower Louver	No longer available	SRV394-114-BK	
10	Junction box		SRV4021-013	Y
	Fan Kit		GFK-160A	
	Gasket Assembly Includes: Vent, Seal Cap, Burner Neck, Shutter Bracket, Manifold and Valve Plate Gaskets	No longer available	2103-081	
	Glass Latch Assembly	Pkg of 2	386-122A/2	Y
	Mesh Assembly		SRV530-382A	Y
	Mineral Wool		050-721	
	Remote		SMART-STAT-HHT	
	Touch Up Paint		TUP-GBK-12	

No one builds a better fire

Beginning Manufacturing Date: May 2006
Ending Manufacturing Date: Aug 2009

#11 Valve Assembly



IMPORTANT: THIS IS DATED INFORMATION. Parts must be ordered from a dealer or distributor. **Hearth and Home Technologies does not sell directly to consumers.** Provide model number and serial number when requesting service parts from your dealer or distributor.



**Stocked
at Depot**

ITEM	DESCRIPTION	COMMENTS	PART NUMBER	
11.1	Pilot Assembly, NG		SRV2090-012	Y
	Pilot Assembly, LP		2090-013	Y
11.2	Orifice, NG #38C		582-838	Y
	Orifice, LP #52C		SRV582-852	Y
11.3	Flex Tube Assembly		383-302A	Y
11.4	Valve Bracket		2118-104	
11.5	Flex Ball Valve Assembly		530-302A	Y
11.6	Valve, NG		750-500	Y
	Valve, LP		750-501	Y
11.7	Control Module		SRV593-592	Y
11.8	Wire Assembly		SRV593-590	Y
11.9	Remote Wire Assembly		2103-013	Y
11.10	Wire Assembly		2045-024	Y
	3V Transformer		SRV593-593	Y
	Battery Pack		SRV593-594	Y
	Conversion Kit, NG	No longer available	NGK-BE-41IPIC	
	Conversion Kit, LP	No longer available	LPK-BE-41IPIC	
	Pilot Orifice, NG		SRV593-528	Y
	Pilot Orifice, LP		SRV593-527	Y
	Regulator, NG		SRVNGK-DXV	Y
	Regulator, LP		SRVLPK-DXV	Y