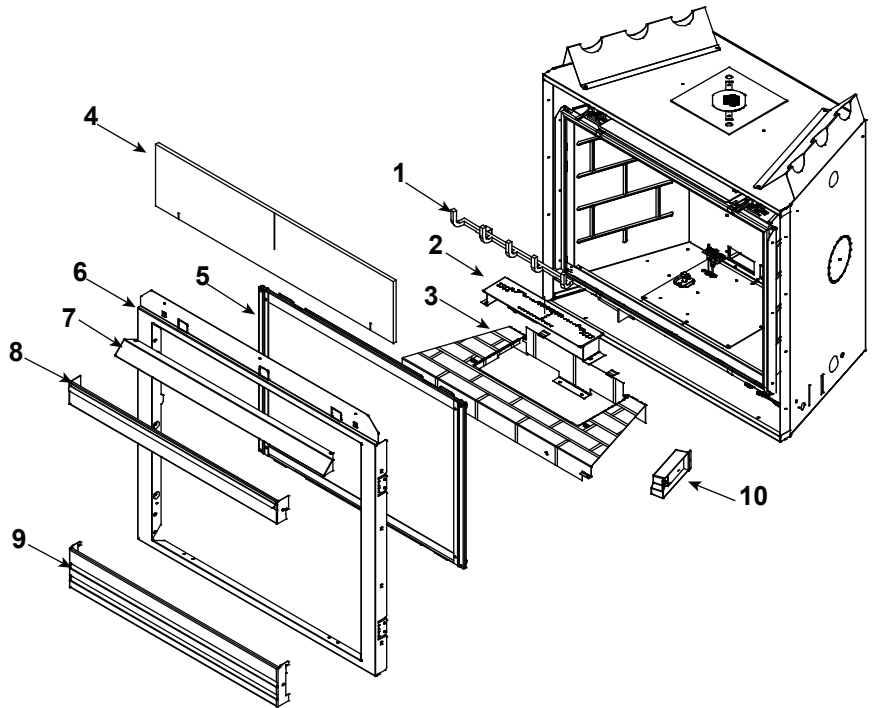


Log Set Assembly



IMPORTANT: THIS IS DATED INFORMATION. Parts must be ordered from a dealer or distributor. **Hearth and Home Technologies does not sell directly to consumers.** Provide model number and serial number when requesting service parts from your dealer or distributor.



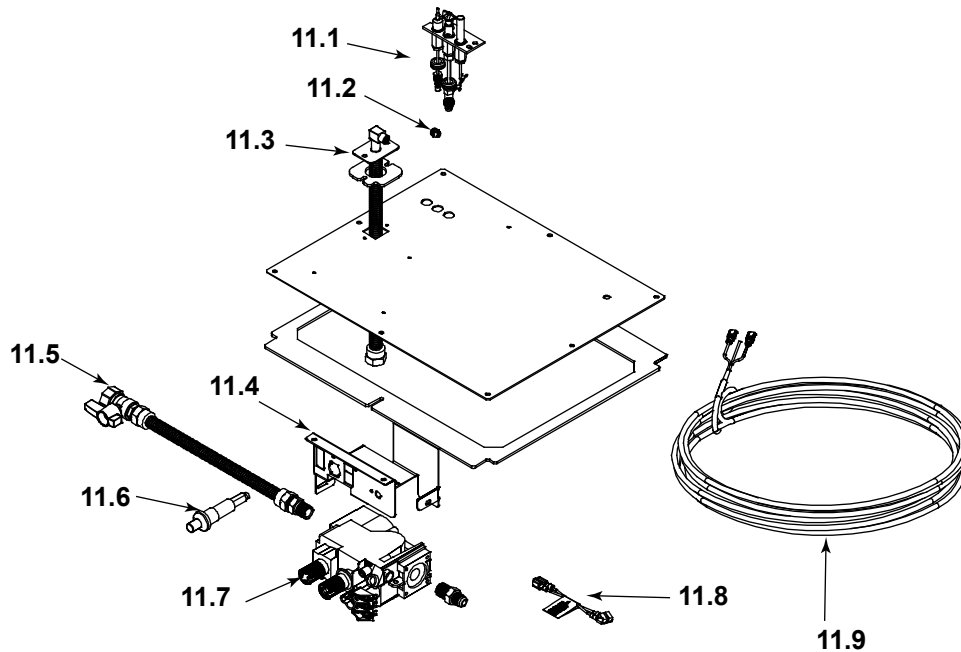
Stocked at Depot

ITEM	DESCRIPTION	COMMENTS	PART NUMBER	
	Log Assembly (Set Only)		LOGS-BE41	Y
1	Grate Assembly	No longer available	SRV60-361A	
2	Burner Assembly		SRV2105-007	Y
3	Base Pan	No longer available	381-124	
4	Non-Combustible Board	No longer available	2101-312	
5	Glass Assembly		GLA-6000G	Y
6	Surround	No longer available	SRV2101-260	
7	Hood		SRV60-143-BK	
8	Top Louver	No longer available	394-249	
9	Lower Louver	No longer available	SRV394-114-BK	
10	Junction box		SRV4021-013	Y
	Fan Kit		GFK-160A	
	Gasket Assembly Includes: Vent, Seal Cap, Burner Neck, Shutter Bracket, Manifold and Valve Plate Gaskets	No longer available	2103-081	
	Glass Latch Assembly	Pkg of 2	386-122A/2	Y
	Mesh Assembly		SRV530-382A	Y
	Mineral Wool		050-721	
	Remote		SMART-STAT-HHT	
	Touch Up Paint		TUP-GBK-12	

No one builds a better fire

Beginning Manufacturing Date: May 2006
Ending Manufacturing Date: July 2009

#11 Valve Assembly



IMPORTANT: THIS IS DATED INFORMATION. Parts must be ordered from a dealer or distributor. **Hearth and Home Technologies does not sell directly to consumers.** Provide model number and serial number when requesting service parts from your dealer or distributor.



Stocked at Depot

ITEM	DESCRIPTION	COMMENTS	PART NUMBER	
11.1	Pilot Assembly, NG		2103-010	Y
	Pilot Assembly, LP		2103-011	Y
	Thermocouple		2103-511	Y
	Thermopile		2103-512	Y
11.2	Orifice, NG #38C		582-838	Y
	Orifice, LP #52C		SRV582-852	Y
11.3	Flex Tube Assembly		383-302A	Y
11.4	Valve Bracket		2118-104	
11.5	Flex Ball Valve Assembly		SRV302-320	Y
11.6	Piezo Ignitor		SRV14D0503	Y
11.7	Valve, NG		SRV230-0710	Y
	Valve, LP		SRV230-0720	Y
11.8	Wire Assembly ON/OFF	No longer available	040-557A	
11.9	Wire Assembly		2045-024	Y
	Conversion Kit, NG	No longer available	NGK-BE-41C	
	Conversion Kit, LP	No longer available	LPK-BE-41C	
	Pilot Orifice, NG		SRV2103-116	Y
	Pilot Orifice, LP		2103-117	Y
	Regulator, NG		SRV230-1570	Y
	Regulator, LP		SRV230-1520	Y