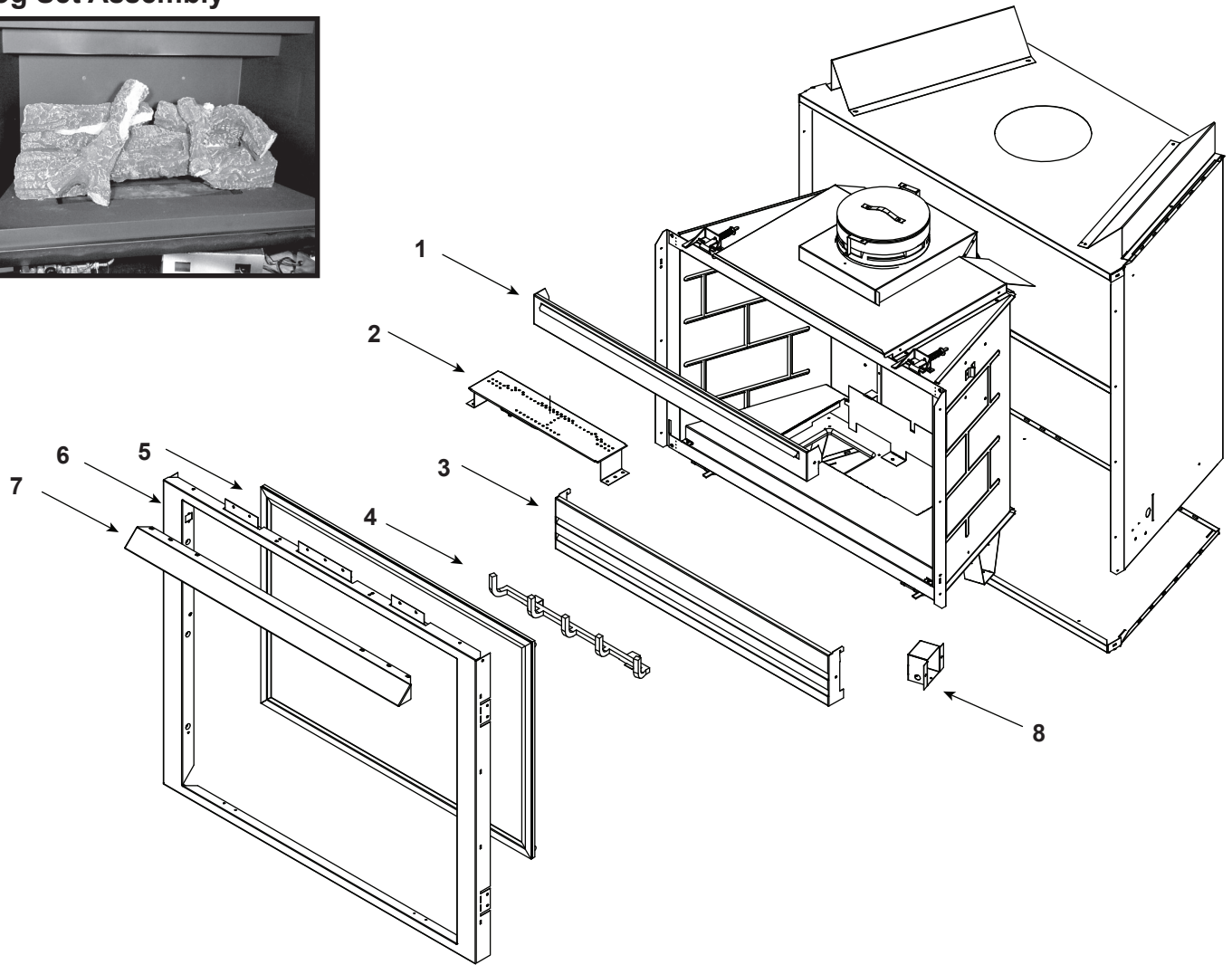


**Log Set Assembly**



IMPORTANT: THIS IS DATED INFORMATION. Parts must be ordered from a dealer or distributor. **Hearth and Home Technologies does not sell directly to consumers.** Provide model number and serial number when requesting service parts from your dealer or distributor.



**Stocked  
at Depot**

ITEM	DESCRIPTION	COMMENTS	PART NUMBER	
	Log Set Assembly		LOGS-BE41	Y
1	Louver Top	No longer available	394-249	
2	Burner NG		389-376A	Y
	Burner LP		389-375A	Y
3	Louver Bottom	No longer available	SRV394-114-BK	
4	Grate Assembly	No longer available	SRV60-361A	
5	Glass Door Assembly		GLA-6TROC	Y
6	Surround	No longer available	520-130	
7	Hood		SRV60-143-BK	
8	Junction Box		100-250A	Y

Beginning Manufacturing Date: Sept 2000  
Ending Manufacturing Date: June 2001

IMPORTANT: THIS IS DATED INFORMATION. Parts must be ordered from a dealer or distributor. **Hearth and Home Technologies does not sell directly to consumers.** Provide model number and serial number when requesting service parts from your dealer or distributor.



**Stocked at Depot**

ITEM	DESCRIPTION	COMMENTS	PART NUMBER	
	Base Pan	No longer available	394-124	
	Fan Kit		GFK-160A	
	Flex Ball Valve Assembly		SRV302-320	Y
	Glass Latch Assembly	Pkg of 2	386-122A/2	Y
	Mineral Wool		050-721	
	Orifice NG (#38A)		057-800	Y
	Orifice LP (#51A)		079-803	Y
	Piezo Ignitor		291-513	Y
	Pilot Assembly NG		4021-736	Y
	Pilot Assembly LP		4021-737	Y
	Thermocouple		446-511	Y
	Thermopile		2103-512	Y
	Pilot tube		SRV485-301	Y
	Remote		SMART-STAT-HHT	
	Touch Up Paint		TUP-GBK-12	
	Valve NG		060-522	Y
	Valve LP		060-523	Y
	Conversion Kit NG	No longer available	NGK-BE41	
	Conversion Kit LP	No longer available	LPK-BE41	
	Pilot Orifice NG		SRV446-505	Y
	Pilot Orifice LP		SRV446-517	Y
	Regulator NG		SRV060-518	Y
	Regulator LP		060-519	Y