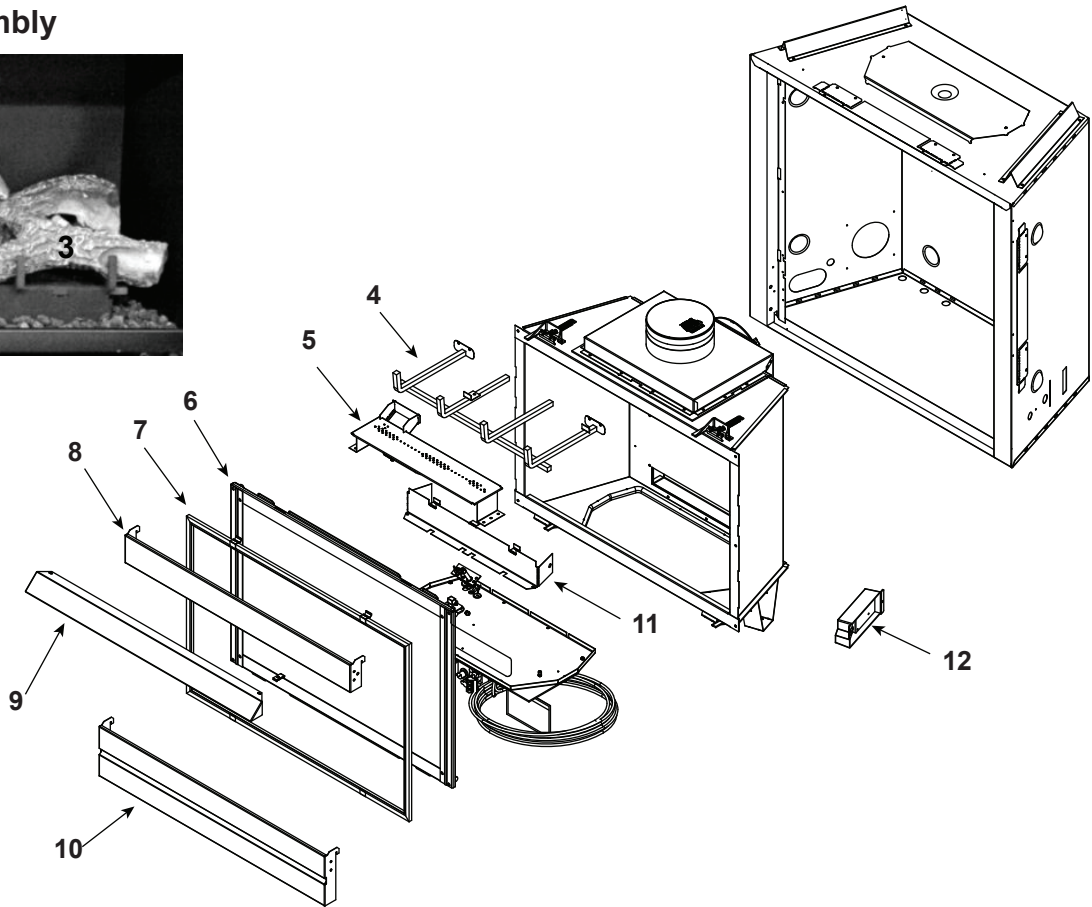
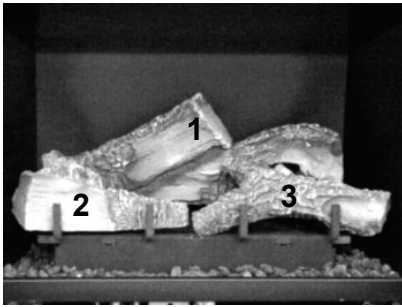


Log Set Assembly



IMPORTANT: THIS IS DATED INFORMATION. When requesting service or replacement parts for your appliance please provide model number and serial number. All parts listed in this manual may be ordered from an authorized dealer.

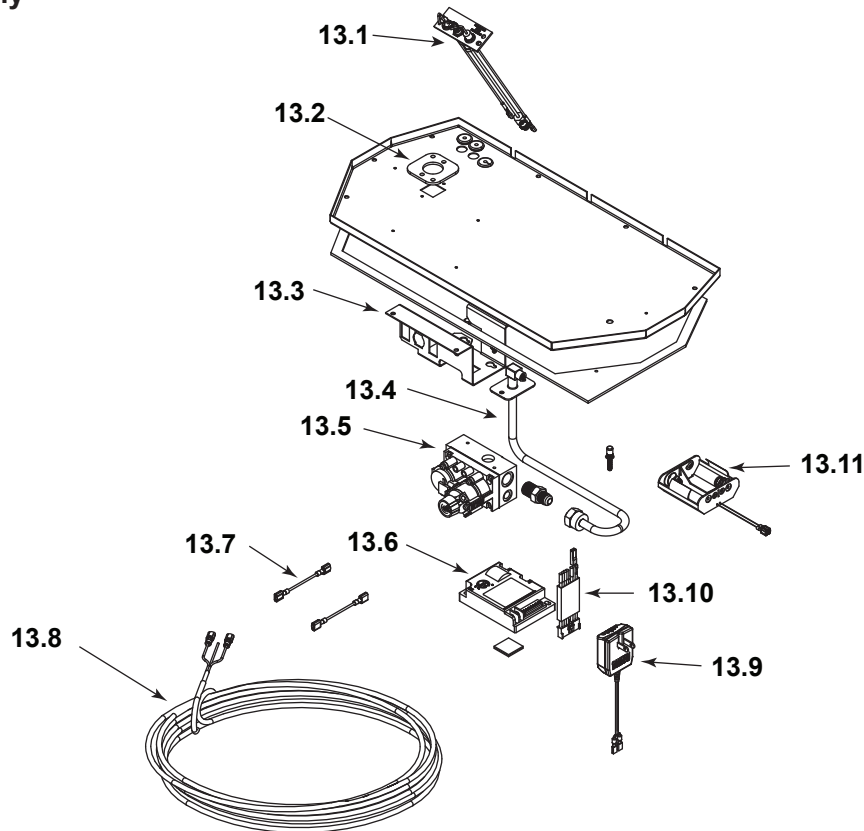


Stocked
at Depot

ITEM	DESCRIPTION	COMMENTS	PART NUMBER	
	Log Assembly		LOGS-BE36-C	Y
1	Log 1	No longer available, Must order complete assembly	SRV397-701	
2	Log 2		SRV397-702	
3	Log 3		SRV397-703	
4	Grate Assembly	No longer available	397-361A	
5	Burner Assembly	Pre 0021076020	397-176A	Y
		Post 0021076020	397-018	Y
6	Glass Door Assembly		GLA-550TR	Y
7	Mesh Assembly		550-382A	Y
8	Louver, Top		397-249A	
9	Hood		SRV550-175	
10	Louver, Bottom		397-248A	
11	Grate Support	No longer available	397-120	
12	Junction Box	Pre April 2004	383-250A	Y
		Post April 2004	SRV4021-013	Y

Additional service parts appear on following page.

#13 Valve Assembly



IMPORTANT: THIS IS DATED INFORMATION. When requesting service or replacement parts for your appliance please provide model number and serial number. All parts listed in this manual may be ordered from an authorized dealer.



Stocked at Depot

ITEM	DESCRIPTION	COMMENTS	PART NUMBER	Stocked at Depot
13.1	Pilot Assembly NG	Pre 0021076020	SRV4021-730	Y
		Post 0021076020	SRV2090-012	Y
	Pilot Assembly LP	Pre 0021076020	SRV4021-731	Y
		Post 0021076020	2090-013	Y
13.2	Burner Neck Gasket		438-407	
13.3	Valve Bracket		2025-101	
13.4	Flexible Gas Connector		530-302A	Y
13.5	Valve NG		SRV593-500	Y
	Valve LP		SRV593-501	Y
13.6	Module		SRV593-592	Y
13.7	Jumper Wires		SRV2012-206	Y
13.8	Thermostat Wire Assembly		2045-024	Y
13.9	3 Volt Transformer		SRV593-593	Y
13.10	Wire Assembly		SRV593-590	Y
13.11	Battery Pack		SRV593-594	Y
	Burner Orifice NG (#45C)		SRV582-845	Y
	Burner Orifice LP (#55C)		582-855	Y

Additional service parts appear on following page.

IMPORTANT: THIS IS DATED INFORMATION. When requesting service or replacement parts for your appliance please provide model number and serial number. All parts listed in this manual may be ordered from an authorized dealer.



Stocked at Depot

ITEM	DESCRIPTION	COMMENTS	PART NUMBER	
	Exhaust Restrictor		530-299	
	Fan Kit		GFK-160A	
	Glass Latch Assembly	Pkg of 2	386-122A/2	Y
	Lava Rock		4021-297	
	Mineral Wool		050-721	
	Ground Strap	Pre 0021076020	385-512	
		Post 0021076020	N/A	
	Pilot Bracket	Pre 0021076020	530-164	
		Post 0021076020	N/A	
	Pilot Assembly Support	No longer available	397-121	
		Post 0021076020	N/A	
	Remote		SMART-STAT-HHT	
	Touch Up Paint		TUP-GBK-12	
	Conversion Kit NG	No longer available	NGK-BE36-CIPI	
	Conversion Kit LP	No longer available	LPK-BE36-CIPI	
	Regulator NG		SRVNGK-DXF	Y
	Regulator LP		SRVLPK-DXF	Y
	Pilot Orifice NG	Pre 0021076020	SRV446-505	Y
		Post 0021076020	SRV593-528	Y
	Pilot Orifice LP	Pre 0021076020	SRV446-517	Y
		Post 0021076020	SRV593-527	Y