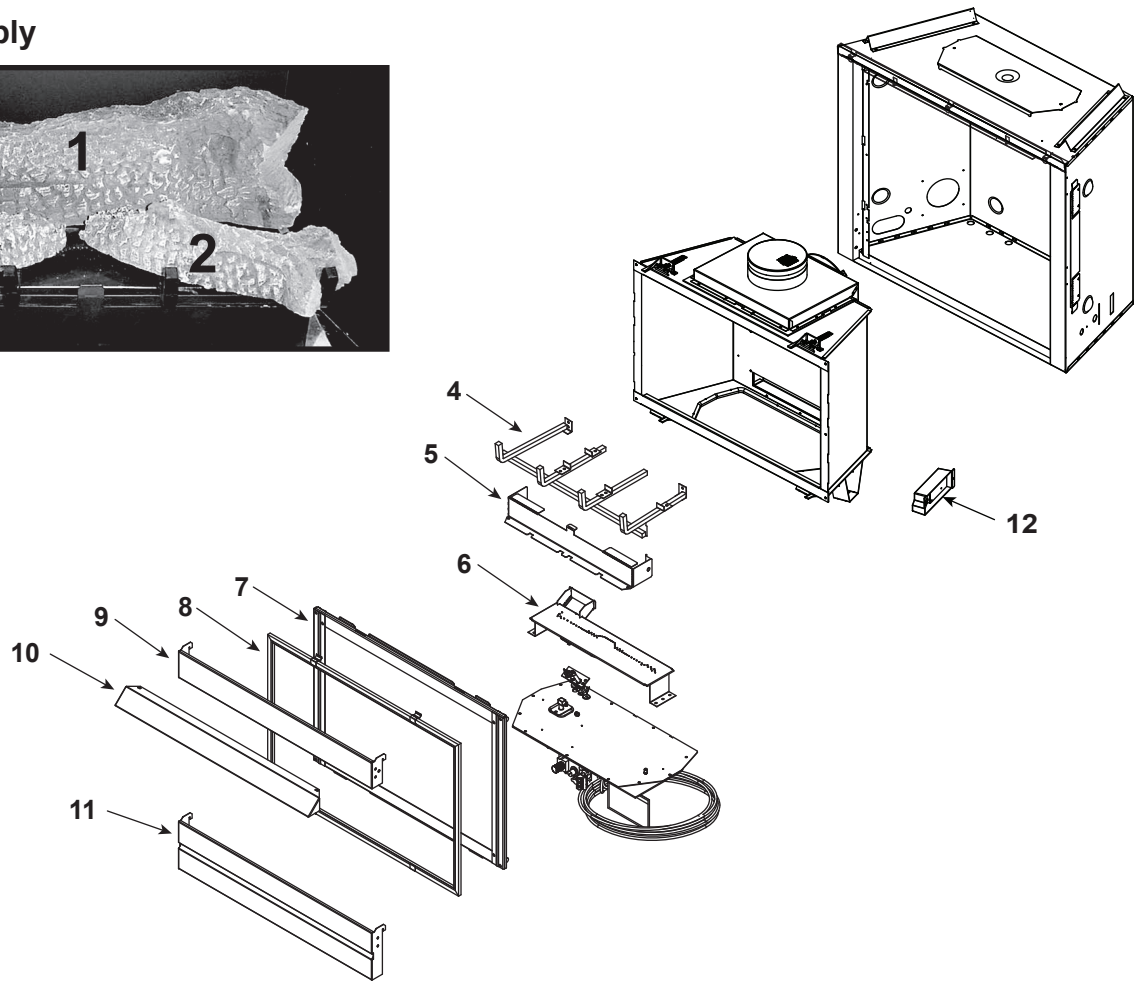
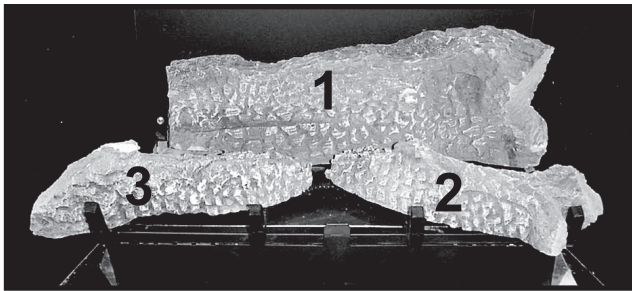


Log Set Assembly



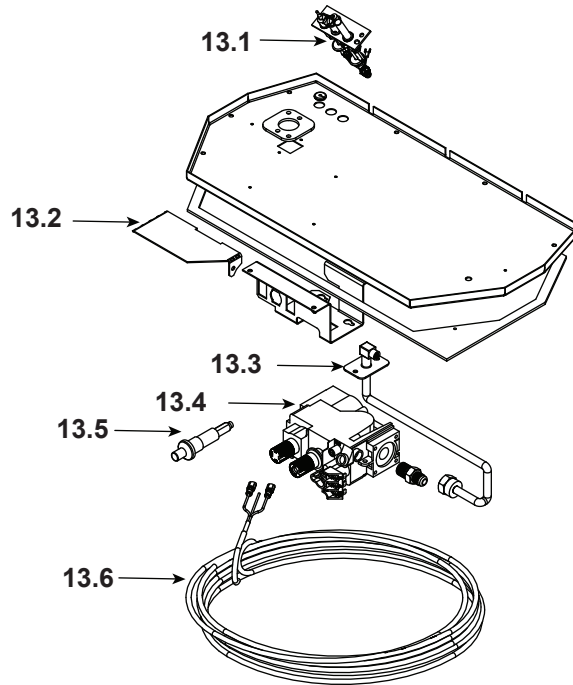
IMPORTANT: THIS IS DATED INFORMATION. Parts must be ordered from a dealer or distributor. **Hearth and Home Technologies does not sell directly to consumers.** Provide model number and serial number when requesting service parts from your dealer or distributor.



Stocked at Depot

ITEM	DESCRIPTION	COMMENTS	PART NUMBER	
	Log Set Assembly		LOGS-BE32	Y
1	Log 1	No longer available, Must order complete assembly	SRV2099-701	
2	Log 2		SRV591-703	
3	Log 3		SRV278-702	
4	Grate Assembly	No longer available	2099-006	
5	Grate Support	No longer available	2099-120	
6	Burner NG, LP		2099-010	Y
7	Glass Door Assembly	No longer available	GLA-BE32	
8	Mesh Panel Door		2099-020	Y
9	Louver , Top	No longer available	2099-249	
10	Hood		SRV540-174	
11	Louver, Bottom	No longer available	2099-248	
12	Junction Box		100-250A	Y

#13 Valve Assembly



IMPORTANT: THIS IS DATED INFORMATION. Parts must be ordered from a dealer or distributor. **Hearth and Home Technologies does not sell directly to consumers.** Provide model number and serial number when requesting service parts from your dealer or distributor.



Stocked at Depot

ITEM	DESCRIPTION	COMMENTS	PART NUMBER	
13.1	Pilot Assembly NG	Pre 2107620	4021-736	Y
		Post 2107620	2103-010	Y
	Pilot Assembly LP	Pre 2107620	4021-737	Y
		Post 2107620	2103-011	Y
	Pilot Tube		SRV485-301	Y
	Thermocouple	Pre 2107620	446-511	Y
		Post 2107620	2103-511	Y
		Post 2107620	2103-512	Y
13.2	Valve Bracket	Pre 2107620	2025-101	
		Post 2107620	No longer available	
13.3	Flexible Gas Connector		530-302A	Y
13.4	Valve NG	Pre 2107620	060-520	Y
		Post 2107620	418-500	Y
	Valve LP	Pre 2107620	060-521	Y
		Post 2107620	418-501	Y
13.5	Piezo Ignitor		SRV14D0503	Y
13.6	Thermostat Wire Assembly		2045-024	Y
	Orifice NG (#46C)		582-846	Y
	Orifice LP (#56C)		582-856	Y

Additional service part numbers appear on following page.

IMPORTANT: THIS IS DATED INFORMATION. Parts must be ordered from a dealer or distributor. **Hearth and Home Technologies does not sell directly to consumers.** Provide model number and serial number when requesting service parts from your dealer or distributor.



Stocked  
at Depot

ITEM	DESCRIPTION	COMMENTS	PART NUMBER	Stocked at Depot
	Baffle (LP conversion only)	No longer available	2099-184	
	Exhaust Restrictor		SRV2089-299	
	Fan Kit		GFK-160A	
	Glass Latch Assembly	Pkg of 2	386-122A/2	Y
	Lava Rock		4021-295	
	Mineral Wool		050-721	
	Remote		SMART-STAT-HHT	
	Touch Up Paint		TUP-GBK-12	
	Conversion Kit NG	No longer available	NGK-BE32	
		No longer available	NGKS-BE32	
	Conversion Kit LP	No longer available	LPK-BE32	
		No longer available	LPKS-BE32	
	Pilot Orifice NG	Pre 2107620	SRV446-505	Y
		Post 2107620	SRV2103-116	Y
	Pilot Orifice LP	Pre 2107620	SRV446-517	Y
		Post 2107620	2103-117	Y
	Regulator NG	Pre 2107620	SRV060-504	Y
		No longer available	NGK-11	
	Regulator LP	Pre 2107620	SRV060-516	Y
		No longer available	LPK-11	