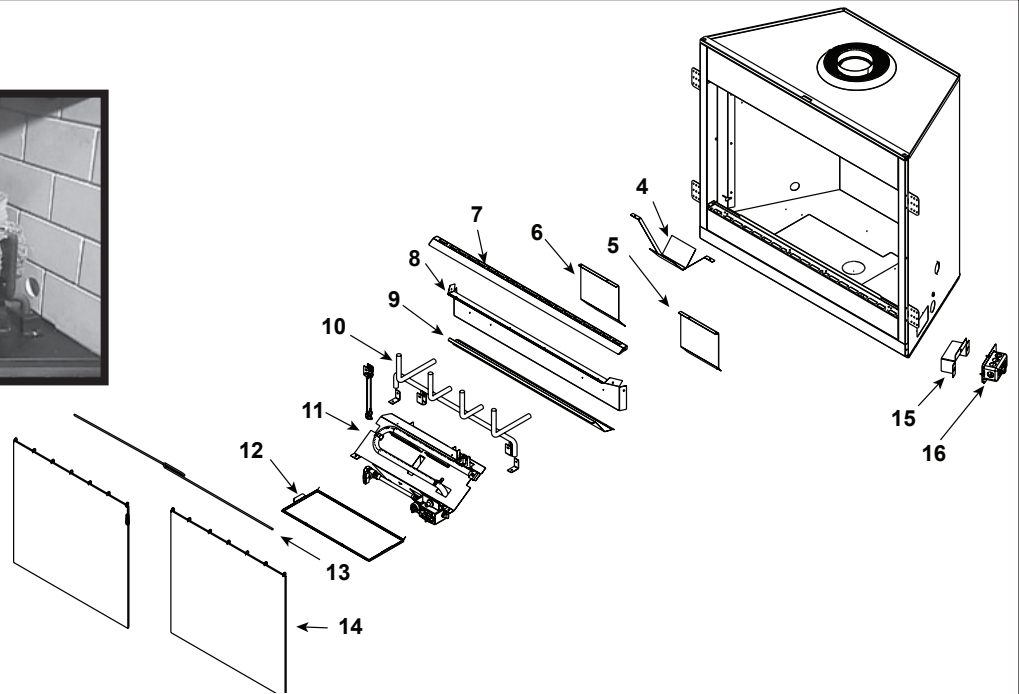
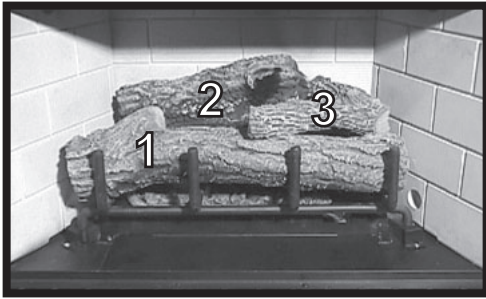


Log Set Assembly



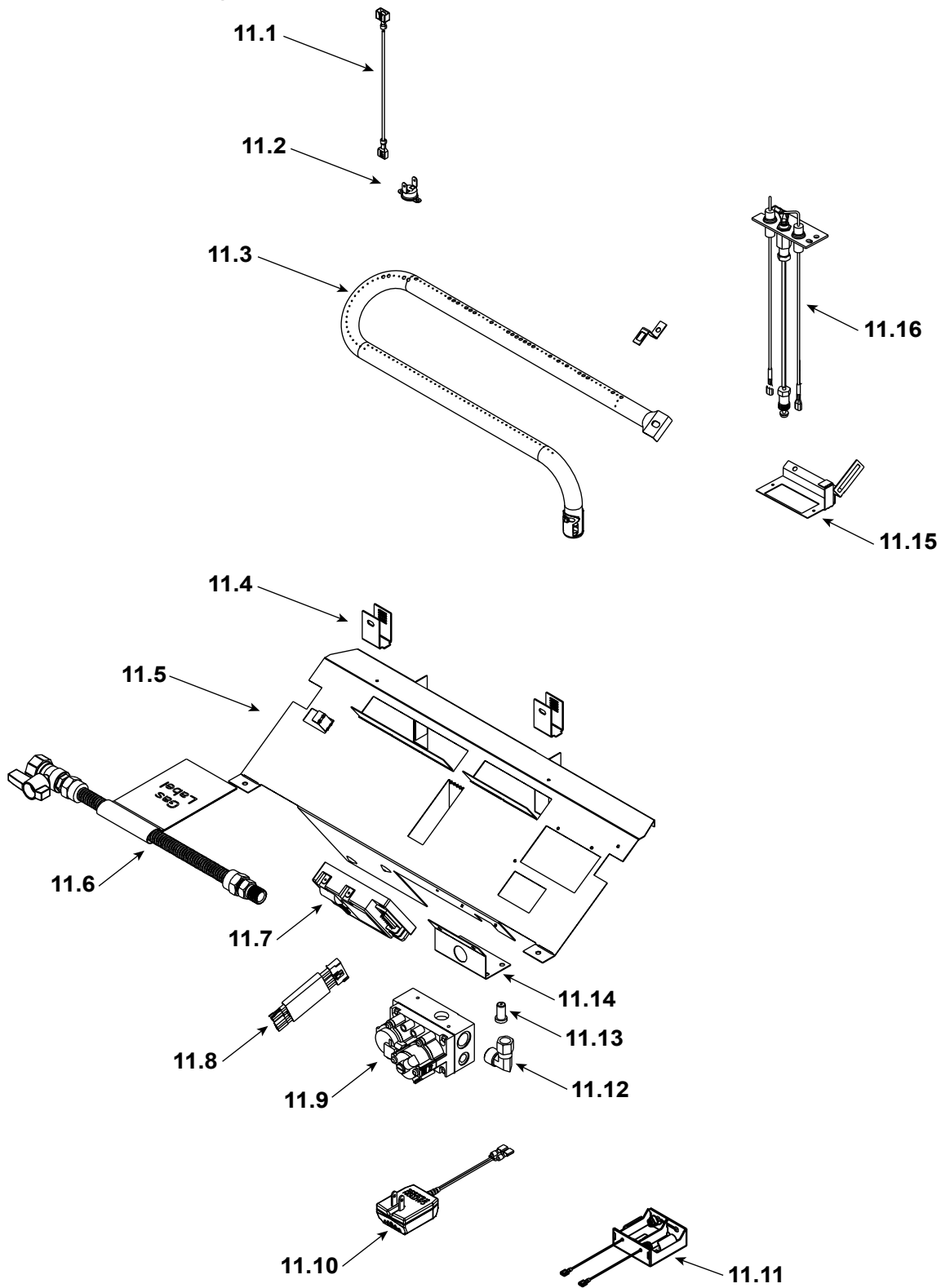
IMPORTANT: THIS IS DATED INFORMATION. Parts must be ordered from a dealer or distributor. **Hearth and Home Technologies does not sell directly to consumers.** Provide model number and serial number when requesting service parts from your dealer or distributor.



Stocked
at Depot

ITEM	DESCRIPTION	COMMENTS	PART NUMBER	
	Log Assembly	No longer available	34945	
		Post wk 14/04	SRV4008-017	Y
1	Front Log	Pre 5/15/16, Must order complete assembly	SRV34946	
2	Back Log		SRV4008-018	
3	Top Log		SRV34947	
			SRV4008-019	
			SRV34948	
4	Flue Baffle Assembly		34856	Y
5	Baffle - Right		35229	
6	Baffle - Left		35228	
7	Hood/Door Track		34635	
8	Smoke Shield		SRV25690	
9	Smoke Shield Extension		35223	Y
10	Grate Assembly	Pre wk 14/04	34865	
		Post wk 14/04	4008-011	
11	Valve Assembly - IPI		Refer to valve page	
12	Cover		4008-015	
13	Screen Rod		SRV23305	Y
14	Firescreen Assembly (standard & shipped with unit)	Qty. 2 req	4008-020	Y
15	Junction Box Heat Shield		28395	
16	Junction Box Kit		JK9	Y
	Face, Top & bottom	Qty. 2 req	34891	

#11 Valve Assembly



Part number list on following page.

IMPORTANT: THIS IS DATED INFORMATION. Parts must be ordered from a dealer or distributor. **Hearth and Home Technologies does not sell directly to consumers.** Provide model number and serial number when requesting service parts from your dealer or distributor.



**Stocked
at Depot**

ITEM	DESCRIPTION	COMMENTS	PART NUMBER	
11.1	Wire Assembly - HiBlu60FM		SRV34937	Y
11.2	Limit Switch w/Auto Reset	Pre GA1551065	SRV34816	Y
		Post GA1551065	SRV4021-383	Y
11.3	Burner Tube		SRV34032	Y
11.4	Log Retainer Brackets		SRV4031-223	
11.5	Valve Plate	Pre Week 13/04	4008-003	
		No longer available	4008-014	
		Week 25/05 Thru SN# GA1551065	4008-026	
		Post GA1551065	4008-031	
11.6	Flex Ball Valve Assembly		SRV302-320	Y
11.7	Control Module		SRV593-592	Y
11.8	Wire Assembly		SRV593-590	Y
11.9	Valve		SRV593-500	Y
11.10	3V Adapter Plug		SRV593-593	Y
11.11	Battery Pack		SRV593-594	Y
11.12	Brass Elbow		SRV17524	
11.13	Orifice (.089) - NG		SRV14046	Y
11.14	Valve Bracket		4008-004	
11.15	Pilot Bracket	Pre GA1551065	4008-023	
		Post GA1551065	4008-032	
11.16	Pilot Assembly	Pre GA1551065	4021-422	Y
		Post GA1551065	SRV2090-012	Y
	Junction Box Cover Plate		SRV26548	
	Nailing Flange	Qty 4 req	31190	
	Install Assembly	No longer available	4008-021	
	Installation Instructions		4008-033	
	Wool, Rock, Vermiculite		4040-094	
	Lava Rock		4021-296	
	Mineral Wool		SRV14333	
	Vermiculite		28746	
	Touch Up Paint		71479	
	Wall Switch Wire Assembly		4018-046	Y
	Wire Assembly - HiBlk8MM	No longer available	35031	
	Wire Assembly - HiBlk60FM	Pre GA1551065	4018-022	
	Conversion Kit - LP to NG		DCKN	Y
	Conversion Kit - NG to LP		DCKP	Y