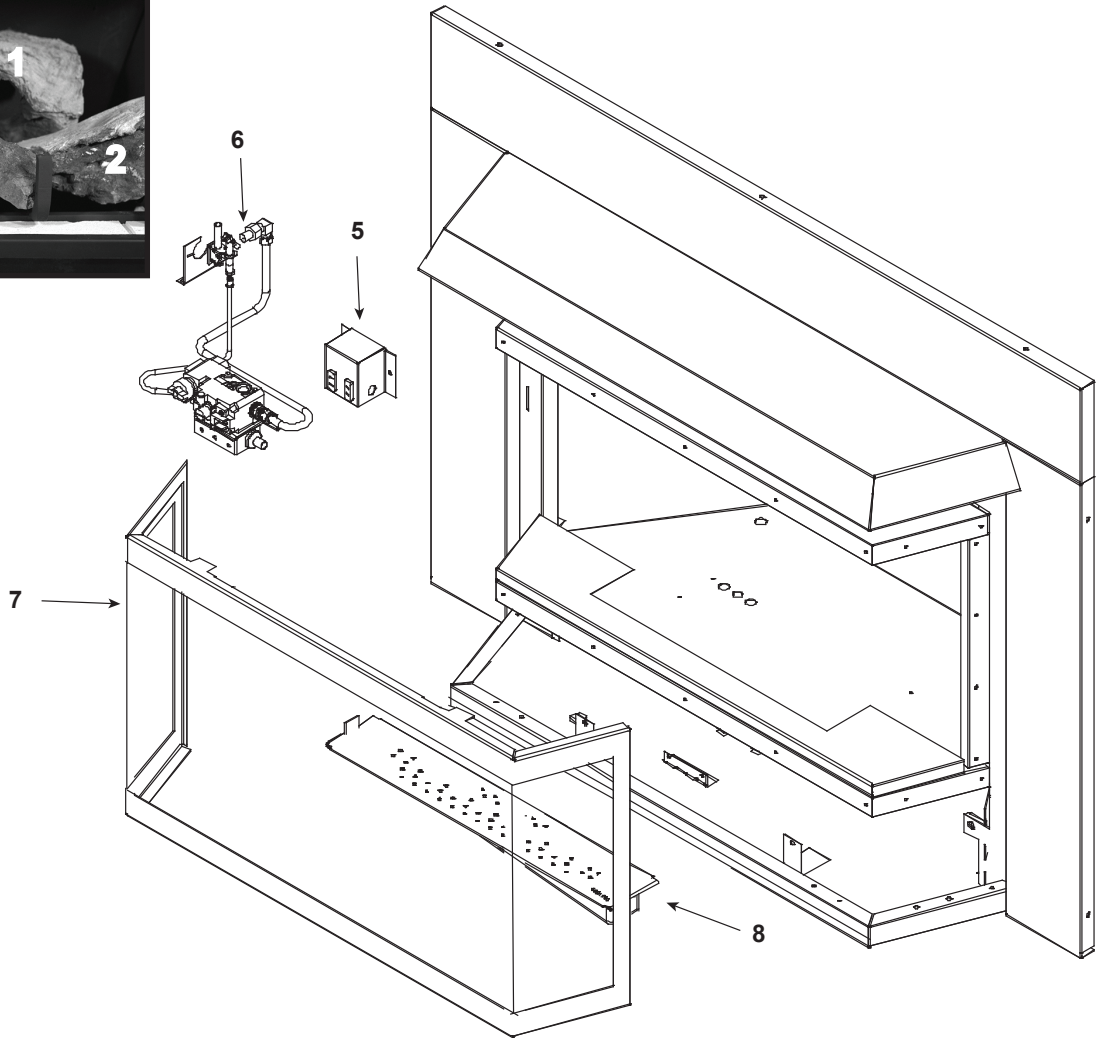
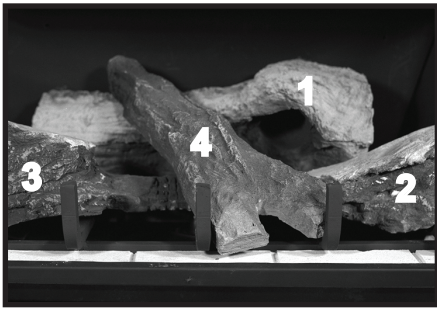


Log Set Assembly



IMPORTANT: THIS IS DATED INFORMATION. Parts must be ordered from a dealer or distributor. **Hearth and Home Technologies does not sell directly to consumers.** Provide model number and serial number when requesting service parts from your dealer or distributor.



Stocked at Depot

ITEM	DESCRIPTION	COMMENTS	PART NUMBER
	Log Set Assembly	No longer available	LOGS-BAYIN
1	Log 1	No longer available	SRV485-701
2	Log 2	No longer available	SRV446-703
3	Log 3	No longer available	SRV446-702
4	Log 4	No longer available	SRV402-701
5	Junction Box	No longer available	040-250A
6	Burner Orifice NG (#38A)	No longer available	057-800
	Burner Orifice LP (#52A)	No longer available	057-801
7	Glass Door Assembly	No longer available	GLA-BAY3
8	Burner Assembly	No longer available	495-275A



No one builds a better fire

Beginning Manufacturing Date: Dec 1994
Ending Manufacturing Date: Mar 2001

IMPORTANT: THIS IS DATED INFORMATION. Parts must be ordered from a dealer or distributor. **Hearth and Home Technologies does not sell directly to consumers.** Provide model number and serial number when requesting service parts from your dealer or distributor.



Stocked at Depot

ITEM	DESCRIPTION	COMMENTS	PART NUMBER	Stocked at Depot
	Fan Kit		GFK-160A	
	Flame control Knob	No longer available	571-531	
	Flex Ball Valve Assembly		SRV302-320	Y
	Grate	No longer available	485-360A	
	Hood	No longer available	099-243	
	Mineral Wool		050-721	
	Piezo Ignitor		291-513	Y
	Pilot Control Knob	No longer available	571-530	
	Pilot Assembly NG		4021-736	Y
	Pilot Assembly LP		4021-737	Y
	Pilot Tube		SRV485-301	Y
	Thermocouple		446-511	Y
	Thermopile		2103-512	Y
	Remote		SMART-STAT-HHT	
	Remote Wire Assembly	No longer available	571-512A	
	Rheostat		SRV100-510A	Y
	Rheostat Knob		SRV100-512	Y
	Temp Sensor		SRV046-018A	Y
	Touch up Paint		TUPB-12	
	Valve NG	Pre May 1996	040-500	Y
		Post May 1996	060-522	Y
	Valve LP	Pre May 1996	040-501	Y
		Post May 1996	060-523	Y
	Conversion Kit NG	No longer available	NGK-BAYIN	
	Conversion Kit LP	No longer available	LPK-BAYIN	
	Regulator NG		SRV060-518	Y
	Regulator LP		060-519	Y
	Pilot Orifice NG		SRV446-505	Y
	Pilot Orifice LP		SRV446-517	Y