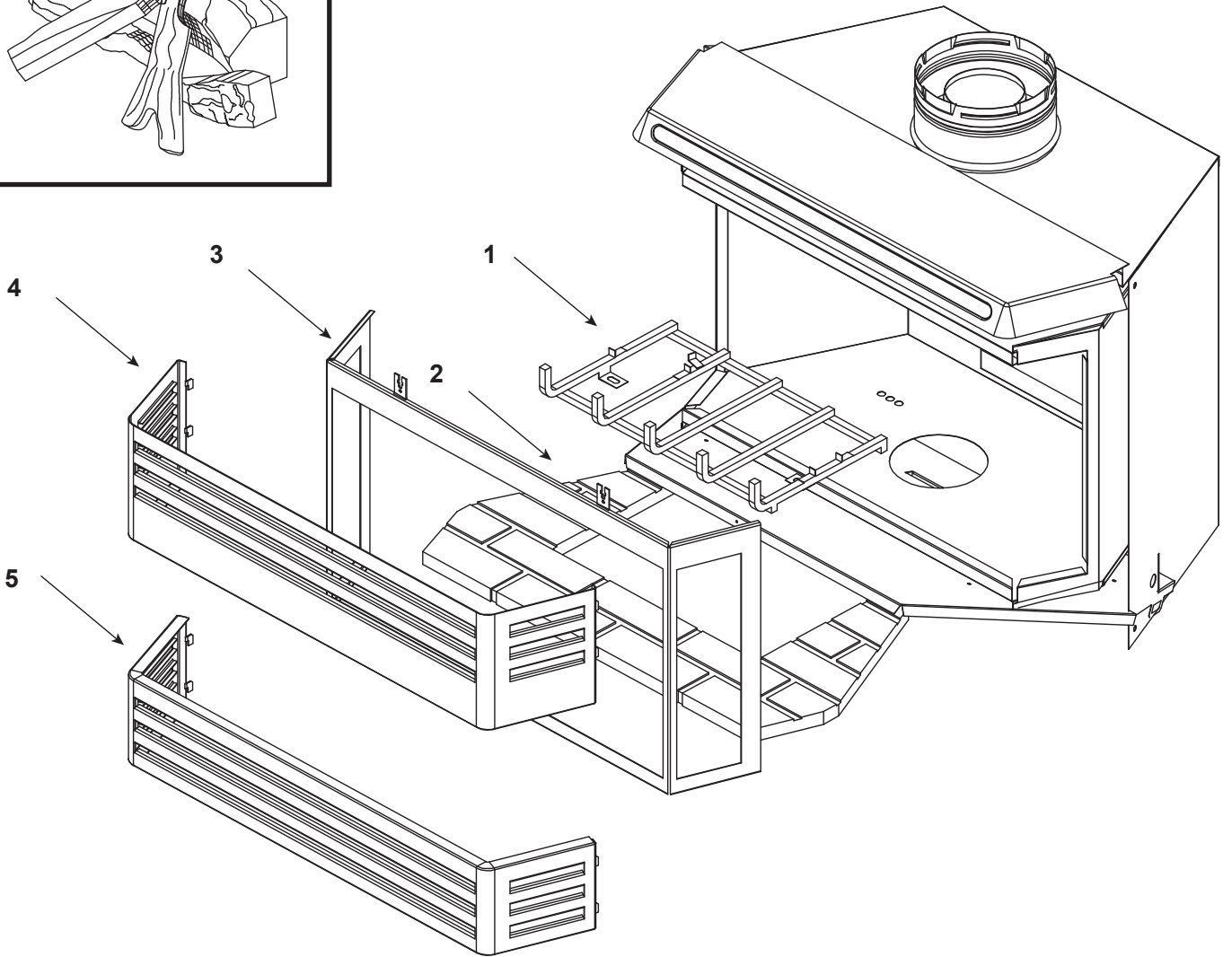
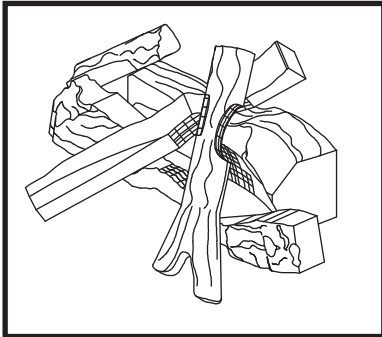


Log Set Assembly



IMPORTANT: THIS IS DATED INFORMATION. Parts must be ordered from a dealer or distributor. **Hearth and Home Technologies does not sell directly to consumers.** Provide model number and serial number when requesting service parts from your dealer or distributor.



Stocked at Depot

ITEM	DESCRIPTION	COMMENTS	PART NUMBER
	Log Set Assembly	No longer available	LOGS-BAY95
1	Grate Assembly	No longer available	077-360A
2	Base Refractory	No longer available	SRV77-700
3	Glass Door Assembly	No longer available	GLA-BAY
4	Door Top	No longer available	DF-BAY-TOP
5	Door Bottom	No longer available	DF-BAY-BTTM

Additional service parts on following page.

No one builds a better fire

Beginning Manufacturing Date: Jan 1995

Ending Manufacturing Date: May 1997

IMPORTANT: THIS IS DATED INFORMATION. Parts must be ordered from a dealer or distributor. **Hearth and Home Technologies does not sell directly to consumers.** Provide model number and serial number when requesting service parts from your dealer or distributor.



**Stocked
at Depot**

ITEM	DESCRIPTION	COMMENTS	PART NUMBER	
	Burner NG	No longer available	077-315A	
	Burner LP	No longer available	077-318A	
	Burner Tube	No longer available	570-302A	
	Fan Kit		GFK-160A	
	Flex Ball Valve Assembly		SRV302-320	Y
	High Temp Limit Switch		092-531	Y
	Junction Box		100-250A	Y
	Mineral Wool		050-721	
	On/Off Rocker Switch		060-521A	Y
	Orifice NG (#35A)	No longer available	065-800	
	Orifice LP (#51A)	No longer available	079-803	
	Piezo Ignitor		291-513	Y
	Pilot Assembly NG	Pre May 1996	446-512A	Y
		Post May 1996	060-514A	Y
	Pilot Assembly LP	Pre May 1996	446-513A	Y
		Post May 1996	4021-733	Y
	Thermocouple	Post May 1996	446-511	Y
	Thermopile		2103-512	Y
	Pilot Tube (Not included in Pilot Assembly)		SRV446-301	Y
	Remote		SMART-STAT-HHT	
	Touch Up Paint		TUPB-12	
	Valve NG	Pre May 1996	040-500	Y
		Post May 1996	060-522	Y
	Valve LP	Pre May 1996	040-501	Y
		Post May 1996	060-523	Y
	Conversion Kit NG	No longer available	NGK-B95	
	Conversion Kit LP	No longer available	LPK-B95	
	Pilot Orifice NG	No longer available	060-505	
	Pilot Orifice LP	No longer available	060-517	
	Regulator NG		SRV060-504	Y
	Regulator LP		SRV060-516	Y