

Part number list on following page.

IMPORTANT: THIS IS DATED INFORMATION. Parts must be ordered from a dealer or distributor. **Hearth and Home Technologies does not sell directly to consumers.** Provide model number and serial number when requesting service parts from your dealer or distributor.

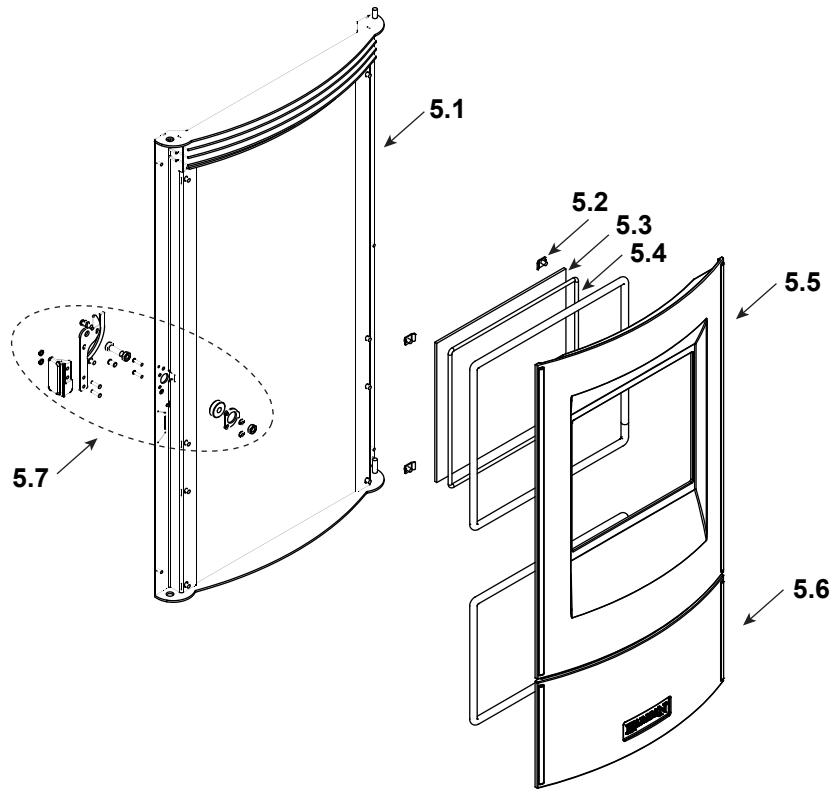
ITEM	DESCRIPTION	COMMENTS	PART NUMBER
#1 Top Assembly			
1.1	Touch Control		1-00-777552
	Touch Control Screws	Pkg of 30	SRV8787-011
	Cable Cover Gasket		3-44-777549
1.2	Black Knob w/Screw		1-00-02000-1
1.3	Complete Latch	2 Sets	1-00-0669697
1.4	Gasket, 3/8 x 1/2	20 Feet	1-00-375501
1.5	Ball Plunger 5/16 x 1/2	Pkg of 3	3-31-5500-3
1.6	Push Retainer 5/16	Pkg of 100	3-31-94807-100
1.7	Hinge w/Hardware		1-00-777771
1.8	Hinge Pin Plates w/Hardware	1 Set	1-00-777560
1.9	Cast Top		4-00-888106S
1.10	Hopper Lid Glass 16 x 8		3-40-777770
1.11	Screwposts/Washers	Pkg of 20 Sets	1-00-129004
2	Side Panel, Left	Gloss Black	1-00-88857-26
		Gloss Silver	1-00-88857-27
		Gloss White	1-00-88857-28
		Gloss Red	1-00-88857-29
		Satin Black	1-00-88857-1
		Brushed Stainless	1-00-88857-6

Additional service parts on following page.

IMPORTANT: THIS IS DATED INFORMATION. Parts must be ordered from a dealer or distributor. **Hearth and Home Technologies does not sell directly to consumers.** Provide model number and serial number when requesting service parts from your dealer or distributor.

ITEM	DESCRIPTION	COMMENTS	PART NUMBER
3	Flame Guide		3-00-677616
4	Burn Pot Assembly		1-00-06794
	Igniter Cradle Kit		1-00-777907
	Wingscrews 1/4-20 x 5/8	Pkg of 10	3-31-782108-10
	Cleanout w/Hardware	Set of 2	1-00-06623
	Igniter		3-20-04876

#5 Door Assembly



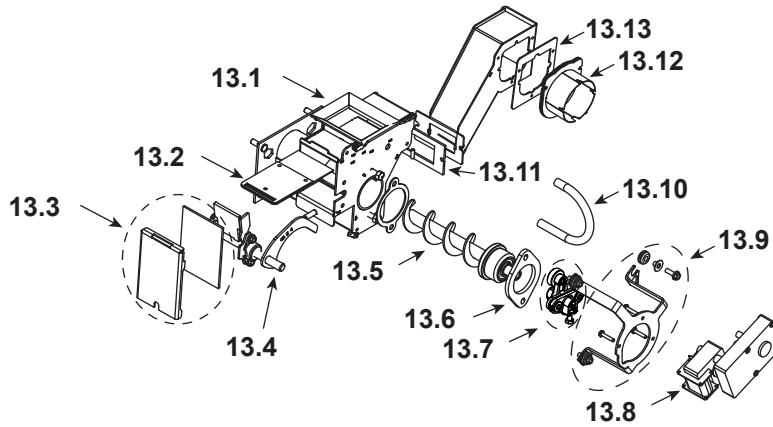
5.1	Front Weldment		1-10-888515W
5.2	Glass Clips	Pkg of 4	SRV8000-031
5.3	Glass w/Gasket		1-00-888150
5.4	Gasket, 1/4" RD PSA	15 Feet	1-00-2312
5.5	Load Door, Roped		4-00-888108S
	Gasket, 1/2" Round Graphite	20 Feet	1-00-1086415
5.6	Ash Door, Roped		4-00-888109S
	Gasket, 1/2" Round Graphite	20 Feet	1-00-1086415
5.7	Latch Kit		1-00-888136
	Latch Roller w/Hardware		1-00-888210
	Wave Washer	Pkg of 10	SRV3-31-453013

Additional service parts on following page.

IMPORTANT: THIS IS DATED INFORMATION. Parts must be ordered from a dealer or distributor. **Hearth and Home Technologies does not sell directly to consumers.** Provide model number and serial number when requesting service parts from your dealer or distributor.

ITEM	DESCRIPTION	COMMENTS	PART NUMBER
6	Curved Glass		1-00-888151
7	Ash Pan		1-10-888168A
8	Inlet Cover		1-10-888158
9	Fan Blade		1-10-574500A
10	Smoke Shield		1-00-888116
11	Side Panel, Right	Gloss Black	1-00-88877-26
		Gloss Silver	1-00-88877-27
		Gloss White	1-00-88877-28
		Gloss Red	1-00-88877-29
		Satin Black	1-00-88877-1
		Brushed Stainless	1-00-88877-6
12	Gasket Set, Burn Pot & Tailpipe	Pkg of 5 Sets	1-00-07381

#13 Feeder Assembly



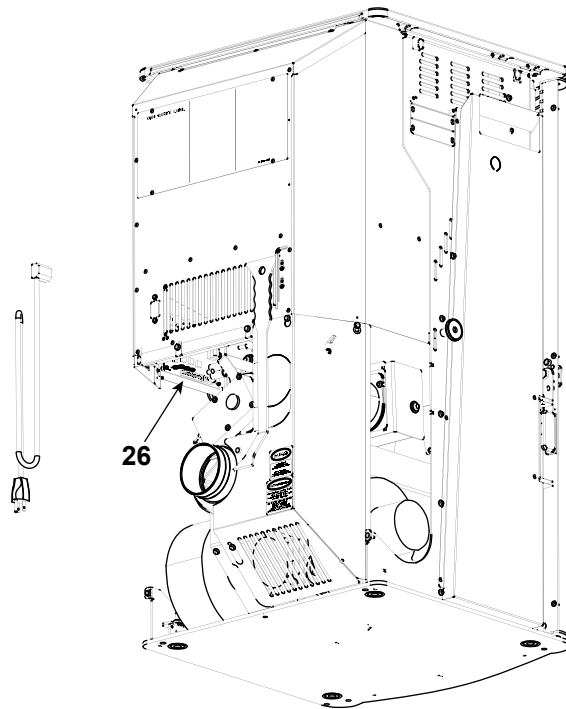
13.1	Feeder Body		1-10-777513A
13.2	Slide Plate		1-10-777690A
13.3	Feed Cover & Gasket	2 Sets	1-00-677122
13.4	Pusher Arm		1-10-888208W
	Pillow Block	Pkg of 4	3-31-3614087-4
13.5	Auger		3-50-00565
	Gasket, Auger	Pkg of 5	1-00-888196
13.6	Bearing Retainer w/Hardware		1-00-04035
	Cam Bearing		3-31-3014
13.7	Cam Block Assembly		1-10-777950A
13.8	Gear Motor		3-20-00777
13.9	Motor Mount w/Hardware		1-00-777598
13.10	Feeder Crossover Tube Kit		1-00-67900
13.11	Gasket, Snout	Pkg of 10	3-44-677160-10
13.12	Air Intake		1-10-07000A
13.13	Gasket, Air Intake	Pkg of 6	3-44-72224-6

Additional service parts on following page.

IMPORTANT: THIS IS DATED INFORMATION. Parts must be ordered from a dealer or distributor. **Hearth and Home Technologies does not sell directly to consumers.** Provide model number and serial number when requesting service parts from your dealer or distributor.

ITEM	DESCRIPTION	COMMENTS	PART NUMBER
14	Combustion Blower & Capacitor		1-00-15091
	Capacitor		1-00-00376
	Blower mounting screws & nuts	5 Sets	1-00-832150
15	Distribution Blower	Qty 2 req	3-21-574371
16	Power Cord		3-20-61678
	Line Filter		SRV3-20-9246606
17	ESP Probe		3-20-00844
18	Wiring Harness		3-20-08888
19	Communication Cable		3-20-72662
20	Differential Switch		3-20-6866
	Tubing, 1/8" Silicone	5 Feet	1-00-5113574
21	Gasket Set, Burn Pot & Tailpipe	Pkg of 5 Sets	1-00-07381
22	Rear Cover, Right		SRV8888-011
23	Tailpipe, Cast		3-00-247237
24	Rear Cover, Left		SRV8600-001
25	Burn Pot Scraper	Pkg of 10	2-00-777692-10

#26 Control Board



26	Control Board		1-00-05372
	5A Ceramic Fuse	Pkg of 5	1-00-05237

Additional service parts on following page.

