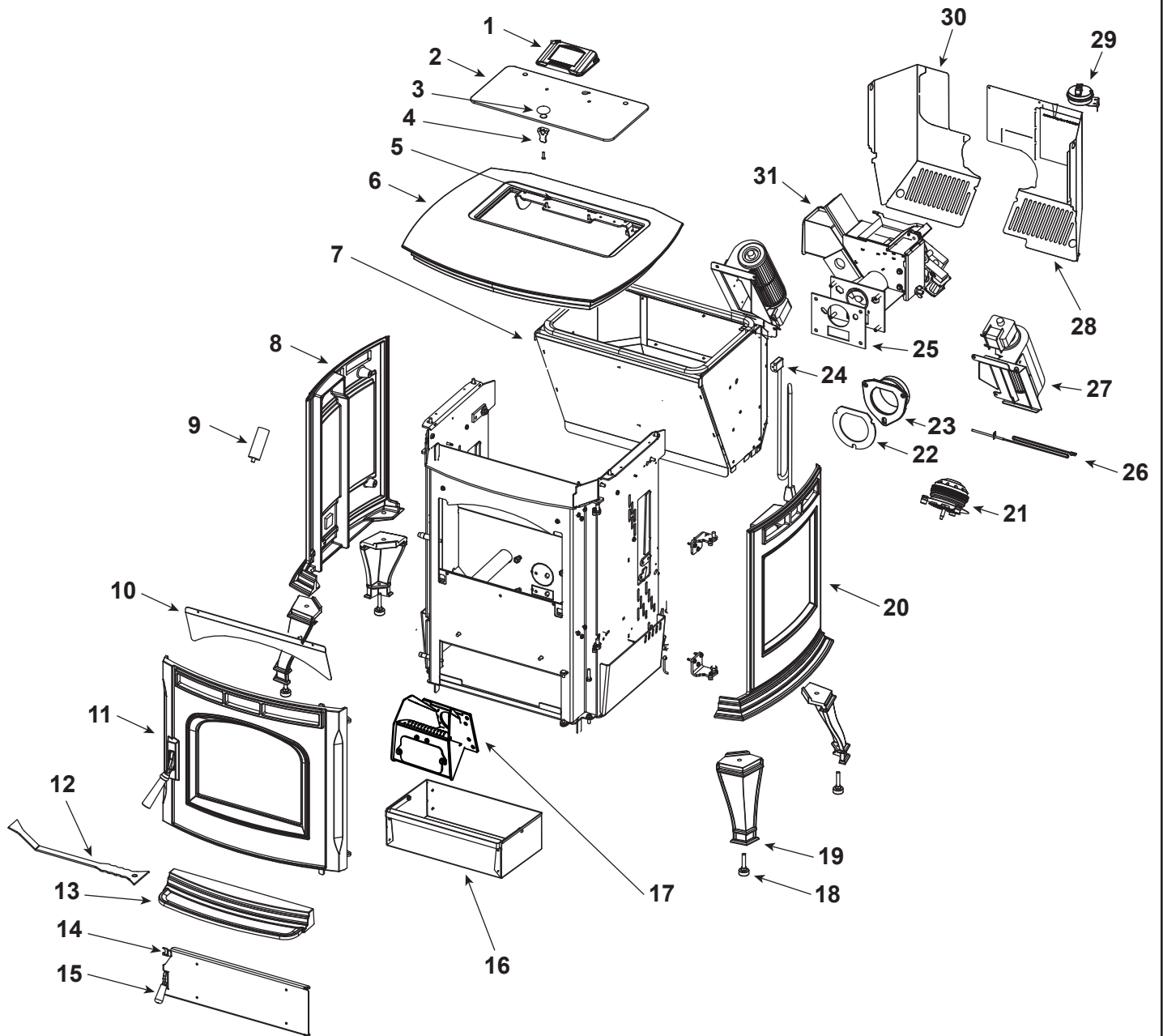


1-90-777100-1 (Black)  
1-90-777100-14 (Majolica Brown)



Part number list on following page.

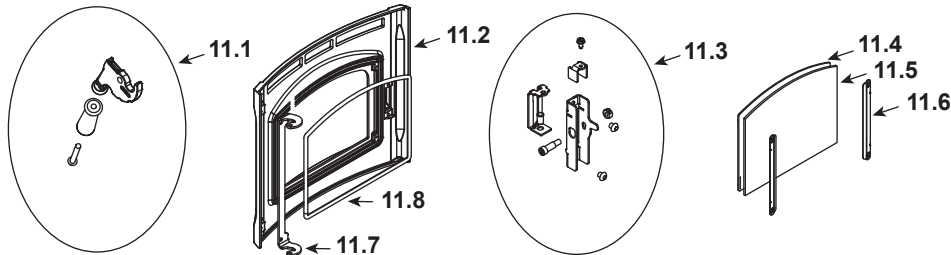
IMPORTANT: THIS IS DATED INFORMATION. Parts must be ordered from a dealer or distributor. **Hearth and Home Technologies does not sell directly to consumers.** Provide model number and serial number when requesting service parts from your dealer or distributor.



**Stocked at Depot**

| ITEM | DESCRIPTION                            | COMMENTS       | PART NUMBER    | Stocked at Depot |
|------|--|----------------|----------------|------------------|
| 1    | Touch Control                          |                | 1-00-777552    | Y                |
|      | Cable Cover Gasket                     |                | 3-44-777549    |                  |
| 2    | 16 X 8 Hopper Lid Glass                |                | 3-40-777770    | Y                |
|      | Screwposts/Washers                     | Pkg of 20 Sets | 1-00-129004    | Y                |
|      | Gasket 3/8 X 1/2                       | 20 Feet        | 1-00-375501    | Y                |
| 3    | Black Plated Knob w/Screw              |                | 1-00-02000-1   |                  |
| 4    | Complete Latch                         | 2 Sets         | 1-00-0669697   |                  |
|      | 5/16 X 1/2 Ball Plunger                | Pkg of 3       | 3-31-5500-3    |                  |
|      | Bulk 5/16 Push Retainer                | Pkg of 100     | 3-31-94807-100 |                  |
| 5    | Hopper Lid Hinge w/Hardware            |                | 1-00-777147    | Y                |
|      | Hopper Lid Hinge Pin Plates w/Hardware | 1 Set          | 1-00-777560    |                  |
| 6    | Cast Top                               | Black          | 4-00-247236S   |                  |
|      |  | Majolica Brown | 1-00-247236-14 |                  |
| 7    | Hopper Assembly                        |                | 1-10-777130A   | Y                |
|      | Gasket Hopper Throat                   |                | 3-44-677185    | Y                |
|      | Gasket, 3/8 X 1/2                      | 20 Feet        | 1-00-375501    | Y                |
|      | Gasket, 5/8 X 1/2                      | 20 Feet        | 1-00-625501    | Y                |
| 8    | Left Side Cast                         | Black          | 4-00-777645P   |                  |
|      |  | Majolica Brown | 1-00-777645-14 |                  |
| 9    | Combustion Blower Capacitor            |                | 1-00-00276     | Y                |
| 10   | Smoke Shield                           |                | 1-00-777133    |                  |

### #11 Load Door



|      |                            |                |                |   |
|------|----------------------------|----------------|----------------|---|
| 11   | Load Door                  |                |                |   |
| 11.1 | Cast Latch, Knob & Screw   |                | 1-00-0119      | Y |
|      | Wood Handle                |                | 3-40-00247     |   |
| 11.2 | Load Door Rope             | Black          | 4-00-777565P   | Y |
|      |                            | Majolica Brown | 1-00-777565-14 | Y |
| 11.3 | Latch Bracket w/Hardware   | 1 Set          | 1-00-777665    | Y |
|      | Rollers & Hardware         | 1 Set          | 1-00-77753     | Y |
| 11.4 | Gasket 1/4 RD PSA          | 15 Feet        | 1-00-2312      | Y |
| 11.5 | Glass w/Gasket             |                | 1-00-777000    | Y |
| 11.6 | Glass Clips w/Hardware     | 1 Set          | 1-00-777619    | Y |
| 11.7 | Load Door Hinge w/Hardware |                | 1-00-777610    | Y |
| 11.8 | Gasket 1/2" RD LD          | 20 Feet        | 1-00-1086204   | Y |

Additional service parts on following page.

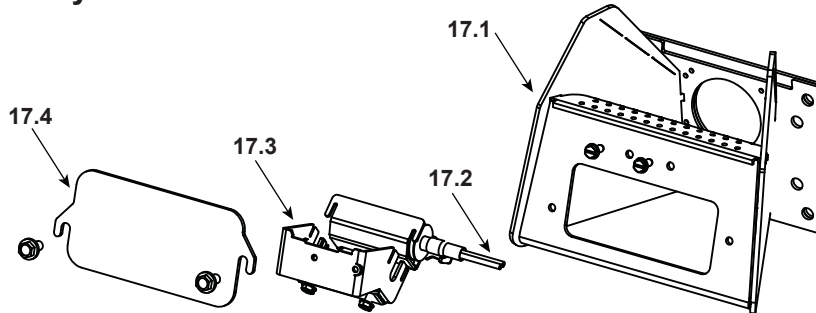
IMPORTANT: THIS IS DATED INFORMATION. Parts must be ordered from a dealer or distributor. **Hearth and Home Technologies does not sell directly to consumers.** Provide model number and serial number when requesting service parts from your dealer or distributor.



Stocked at Depot

| ITEM | DESCRIPTION              | COMMENTS       | PART NUMBER    |   |
|------|--------------------------|----------------|----------------|---|
| 12   | Burn Pot Scraper         | Pkg of 10      | 2-00-777138-10 |   |
| 13   | Ashlip                   | Black          | 3-00-777644P   |   |
|      |                          | Majolica Brown | 1-00-777644-14 |   |
| 14   | Ash Door, Complete       |                | 1-10-777135A   |   |
|      | Gasket 1/2" RD LD        | 20 Feet        | 1-00-1086204   | Y |
| 15   | Ash Door Handle Assembly | 1 Set          | 1-00-777149    | Y |
|      | Rollers & Hardware       | 1 Set          | 1-00-77723     | Y |
| 16   | Ash Pan                  |                | 1-10-777121A   | Y |

### #17 Burn Pot Assembly



|      |   |                |                |   |
|------|---|----------------|----------------|---|
| 17   | Burn Pot Assembly                                 |                |                |   |
| 17.1 | Burn Pot Weldment                                 |                | 1-10-777901A   | Y |
|      | Gasket, Burn Pot                                  |                | 3-44-237639    | Y |
|      | Flame Guide                                       |                | 3-00-03000     | Y |
| 17.2 | Ingiter   |                | 3-20-677200    | Y |
|      |   | Pkg of 10      | 1-00-677200    | Y |
| 17.3 | Igniter Bracket                                   |                | 1-00-777906    |   |
| 17.4 | Burn Pot Clean Out w/Hardware                     |                | 1-00-777908    | Y |
|      | 1/4"-20x1/2                                       | Pkg of 50      | 3-30-2001-50   | Y |
| 18   | Leg Leveling Kit                                  | 1 Set          | 1-00-12302     |   |
| 19   | Leg w/Hardware                                    | Black          | 1-00-249100    | Y |
|      |   | Majolica Brown | 1-00-249100-14 | Y |
| 20   | Right Side Cast                                   | Black          | 4-00-777646P   |   |
|      |   | Majolica Brown | 1-00-777646-14 |   |
| 21   | Combustion Blower                                 |                | 1-00-02275     | Y |
|      | Fan Blade   |                | 1-10-574500A   | Y |
|      | <b>Pound In Stud 6-32 X 1 1/4 (Pre HF2265448)</b> | Pkg of 30      | 1-00-53463220  |   |
|      | <b>Blower Mounting Screws (Post HF2265448)</b>    | 5 Sets         | 1-00-832150    |   |
| 22   | Gasket, Burn Pot / Tailpipe                       | Pkg of 5       | 1-00-07381     | Y |
| 23   | Pellet Tailpipe, Cast                             |                | 3-00-247237    | Y |

Additional service parts on following page.

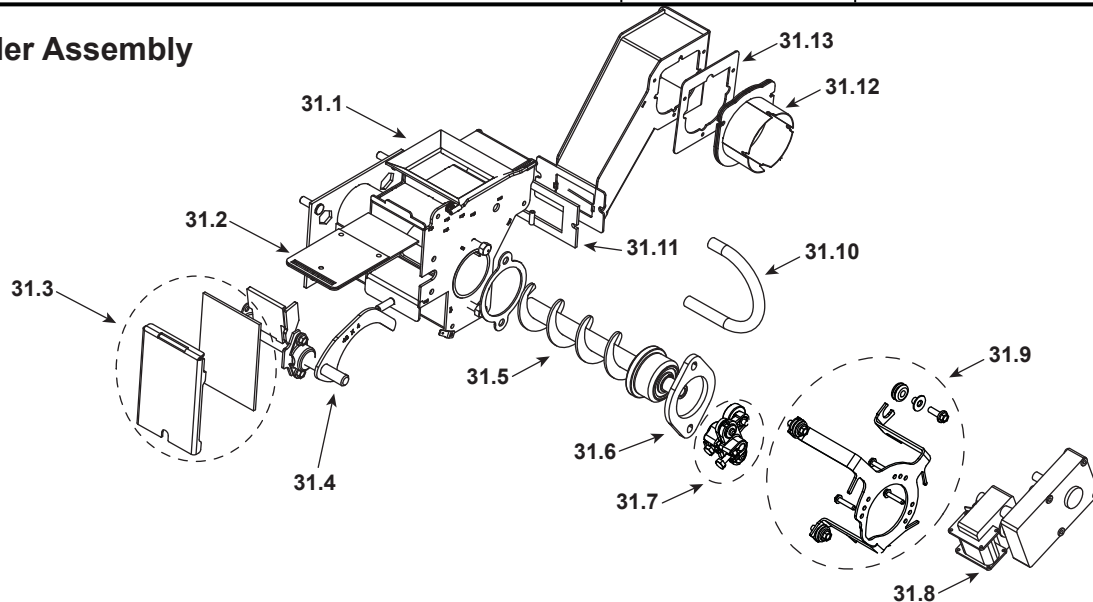
IMPORTANT: THIS IS DATED INFORMATION. Parts must be ordered from a dealer or distributor. **Hearth and Home Technologies** does not sell directly to consumers. Provide model number and serial number when requesting service parts from your dealer or distributor.



Stocked at Depot

| ITEM | DESCRIPTION                 | COMMENTS  | PART NUMBER  | Stocked at Depot |
|------|-----------------------------|-----------|--------------|------------------|
| 24   | Power Cord                  |           | 3-20-51578   | Y                |
|      | Line Filter                 |           | 3-20-803744  | Y                |
| 25   | Gasket, Burn Pot / Tailpipe | Pkg of 5  | 1-00-07381   | Y                |
| 26   | ESP Probe-Red/Red           |           | 3-20-00844   | Y                |
| 27   | Distribution Blower, 100CFM | Qty 2 req | 3-21-07775   | Y                |
| 28   | Rear Cover, Left            |           | 1-00-777124  | Y                |
| 29   | Differential Switch         |           | 3-20-6866    | Y                |
|      | Tubing, 1/8 Silicone        | 5 Feet    | 1-00-5113574 | Y                |
| 30   | Rear Cover, Right           |           | 1-00-777123  | Y                |

### #31 Feeder Assembly



|       |                               |           |                |   |
|-------|-------------------------------|-----------|----------------|---|
| 31    | Feeder Assembly               |           |                |   |
| 31.1  | Feeder Body                   |           | 1-10-777513A   | Y |
| 31.2  | Slide Plate Assembly          |           | 1-10-777690A   | Y |
| 31.3  | Feed Cover & Gasket           | 2 Sets    | 1-00-677122    | Y |
| 31.4  | Pusher Arm                    |           | 1-10-677187W   | Y |
|       | Pillow Block                  | Pkg of 4  | 3-31-3614087-4 | Y |
| 31.5  | Auger                         |           | 3-50-00565     | Y |
| 31.6  | Bearing Retainer w/Hardware   |           | 1-00-04035     | Y |
|       | Cam Bearing                   |           | 3-31-3014      | Y |
| 31.7  | Cam Block Assembly            |           | 1-10-777950A   | Y |
| 31.8  | 4 RPM CW Outboard Motor, 120V |           | 3-20-00677     | Y |
| 31.9  | Motor Mount w/Hardware        |           | 1-00-777598    | Y |
| 31.10 | Feeder Crossover Tube Kit     |           | 1-00-67900     | Y |
| 31.11 | Gasket, Snout                 | Pkg of 10 | 3-44-677160-10 | Y |
| 31.12 | Air Intake                    |           | 1-10-06810A    |   |
| 31.13 | Gasket, Air Intake            | Pkg of 6  | 3-44-72224-6   | Y |

Additional service parts on following page.

