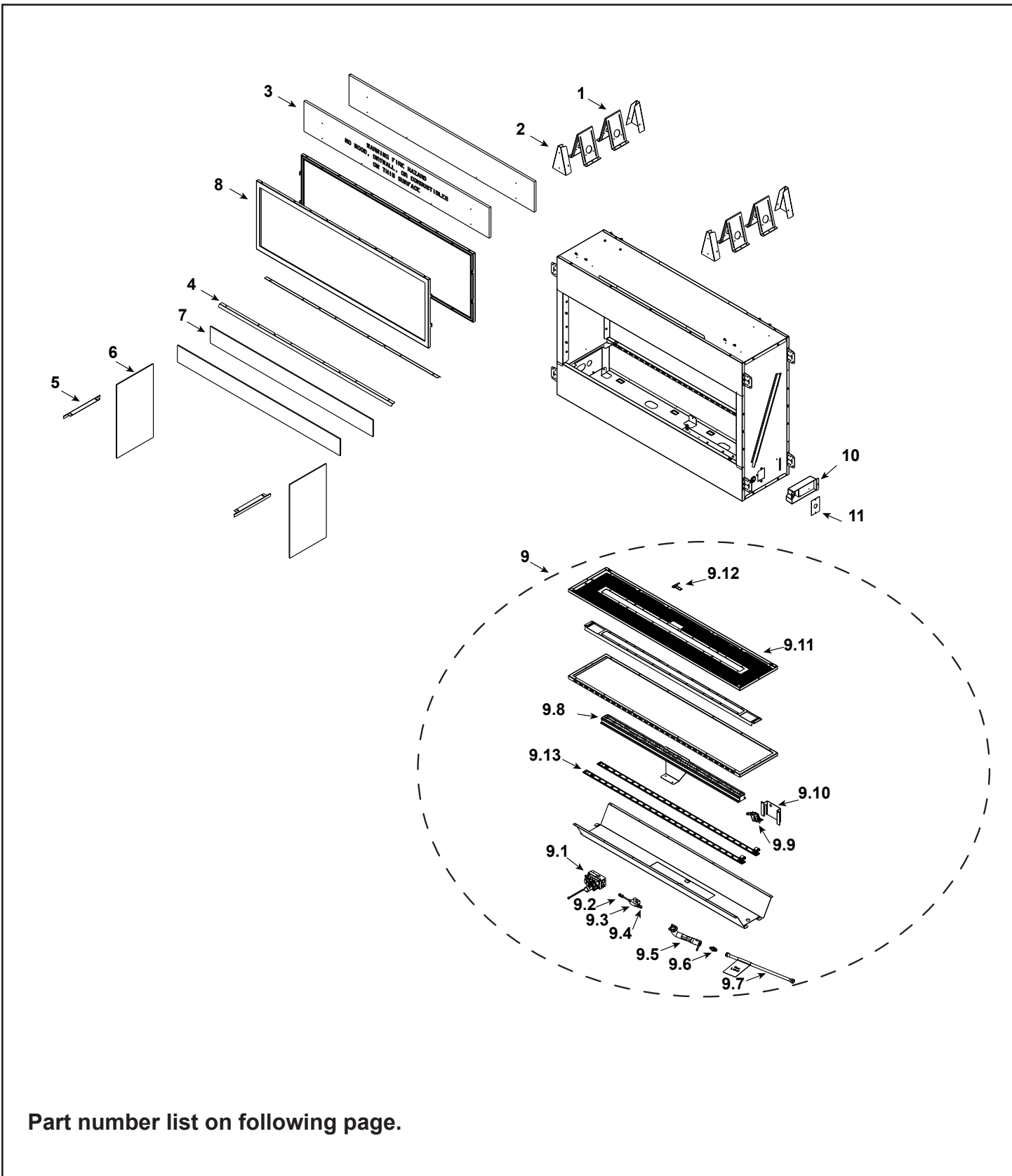


## 48" See-Through Artisan Vent Free Linear Fireplace



Part number list on following page.



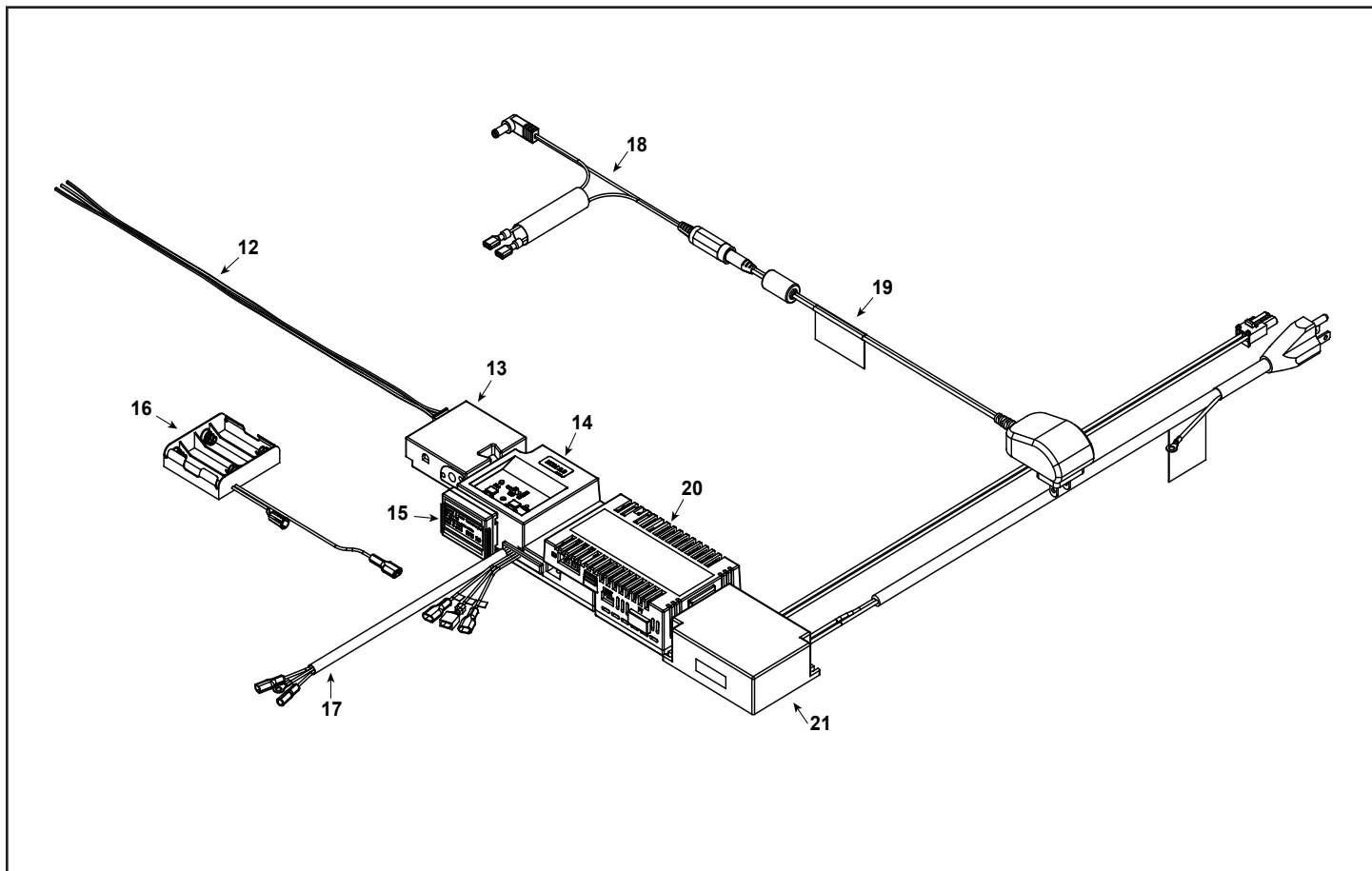
IMPORTANT: THIS IS DATED INFORMATION. Parts must be ordered from a dealer or distributor. **Hearth and Home Technologies does not sell directly to consumers.** Provide model number and serial number when requesting service parts from your dealer or distributor.



**Stocked  
at Depot**

ITEM	DESCRIPTION	COMMENTS	PART NUMBER	Stocked at Depot
1	Top Standoff	Qty 4 req	SRV11864	
2	Bracket	Qty 4 req	SRV4099-198	
3	Non-combustible Board	Qty 2 req	SRV4099-325	
4	Hood	Qty 2 req	SRV4099-135	
5	Black Glass Bracket (Sides)	Qty 2 req	SRV4099-196	
6	Black Glass Assembly (Includes 2 Sides)		SRV4102-025	Y
7	Deflection Glass	Qty 2 req	SRV4111-301	Y
8	Frame & Screen Assembly	Qty 2 req	SRV4099-029	Y
	Flex Line w/Shutoff		SRV69D0030	Y
9	Complete Service Engine	NG	SRV4099-017	
		LP	SRV4099-018	
9.1	Valve Assembly	NG	SRV4604-300	Y
		LP	SRV4604-301	Y
9.2	Tube, 3/16 Pilot <b>(Cut into 2 lengths, for regulator to valve &amp; pilot to regulator)</b>		SRV20304115	Y
9.3	Pilot Regulator		SRV14D0469	Y
9.4	Fitting, 3/16 Tube x 1/8 NPT	Qty 2 req	SRV20H0109	Y
	Venturi Gasket		SRV4099-191	Y
9.5	Venturi Assembly	NG	SRV4099-034	Y
		LP	SRV4099-033	Y
9.6	Orifice Flare .120 (#31) NG	NG	SRV4018-345	Y
	Orifice Flare .076 (#48) LP	LP	SRV4018-349	Y
9.7	Flex Gas Line, 16"		SRV4121-006	
9.8	Burner Assembly		SRV4099-021	Y
9.9	Pilot Assembly	NG	SRV26D2529	Y
		LP	SRV14D0476	Y
9.10	Pilot Shield		SRV4099-141	
9.11	Screen Cover		SRV4099-109	
9.12	Pilot Carry Over		SRV4099-143	
9.13	LED Light Strip	Qty 2 req	SRV4099-321	Y
	Piezo Wire Assembly		20303256K	Y
	Remote RC450		IFT2-RC450	
	Reset Switch		SRV2206-298	Y
	Reset Switch Bracket		SRV4099-138	
10	Junction Box		SRV4021-013	Y
11	Cover Plate		SRV4604-103	

Additional service part numbers appear on following page.



IMPORTANT: THIS IS DATED INFORMATION. Parts must be ordered from a dealer or distributor. **Hearth and Home Technologies does not sell directly to consumers.** Provide model number and serial number when requesting service parts from your dealer or distributor.



Stocked at Depot

ITEM	DESCRIPTION	COMMENTS	PART NUMBER	Stocked at Depot
12	Wiring Harness, Thermocouple Module		SRV20301890	Y
13	Thermocouple Module		SRV4018-064	Y
14	Module, IFT2 Control		SRV2564-130	Y
15	Module, RF FCC		SRV2564-120	Y
16	Battery Holder 4AA, IFT		SRV2326-134	Y
17	Harness, IFT 6 Pin Wiring		SRV2326-132	Y
18	Reset Switch Wire		SRV2326-135	
19	Transformer, 6 Volt Wall		SRV2326-131	Y
20	US-ACM Module		SRV2564-150	
21	LED 12V Power Supply		2326-113	Y
	Wire Assembly		SRV4604-304	Y
	Harness, Light Bar		SRV4200-215	