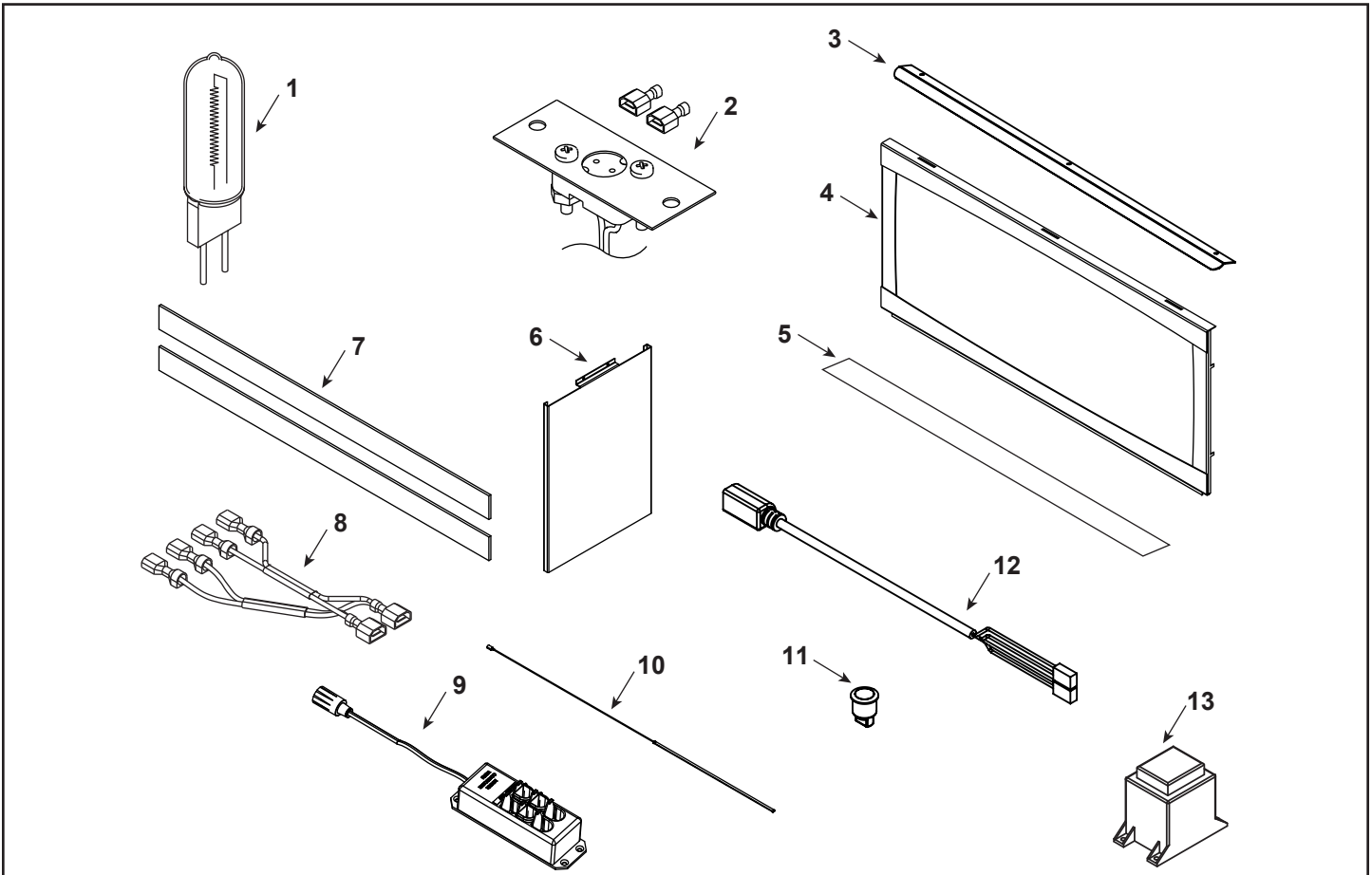


42" Artisan Vent Free Linear See-Through Fireplace



IMPORTANT: THIS IS DATED INFORMATION. Parts must be ordered from a dealer or distributor. **Hearth and Home Technologies does not sell directly to consumers.** Provide model number and serial number when requesting service parts from your dealer or distributor.



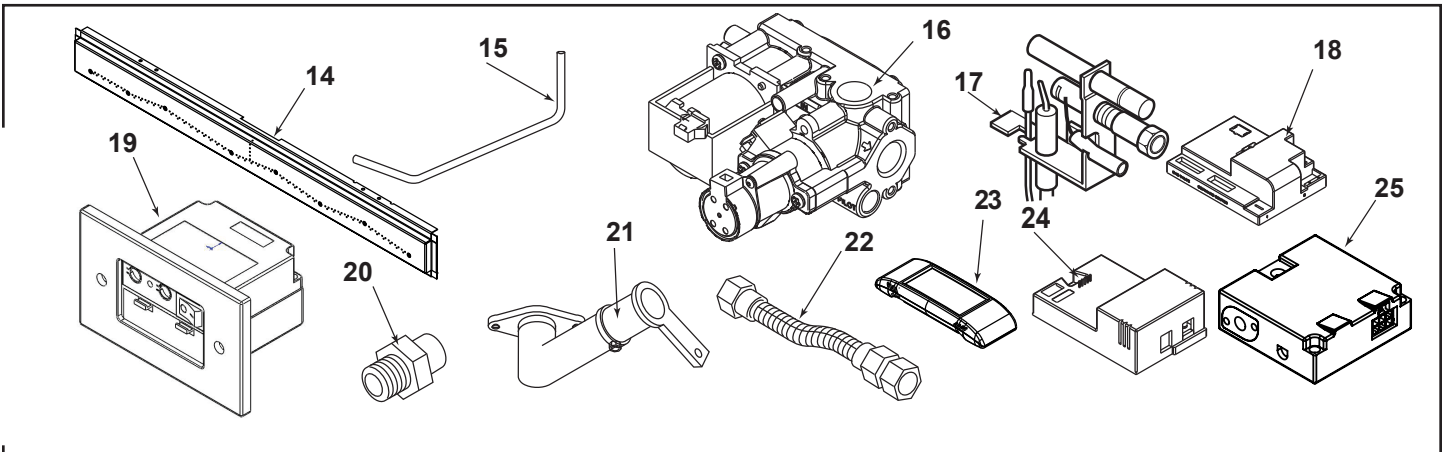
Stocked at Depot

ITEM	DESCRIPTION	COMMENTS	PART NUMBER	
1	Bulb	Top Light (90w)	SRV4602-302	Y
2	Bulb Socket		SRV73D4521	
3	Eyebrow		SRV20306590	
4	Screen Frame Assembly		20305693K	Y
5	Panel, Access Door		20305434K	
6	Porcelain Panel		20308284	
7	Deflection Glass	Qty 2 req	SRV20305432	Y
8	Wire Harness		SRV78D1077	Y
	Junction Box Assembly		26D2128K	
9	LED Control Module		SRV4121-160	Y
10	Light Bar	Qty 2 req	20308672K	Y
11	LED Panel Switch		20308586K	
12	AUX Input Cable		20308587K	
13	LED Power Module		20308559K	
	Non Combustible/Cement Board	Qty 2 req	20305772	



Service Parts AVFLST42NTSC, AVFLST42PTSC

Beginning Manufacturing Date: N/A
Ending Manufacturing Date: Nov 2020



IMPORTANT: THIS IS DATED INFORMATION. Parts must be ordered from a dealer or distributor. **Hearth and Home Technologies does not sell directly to consumers.** Provide model number and serial number when requesting service parts from your dealer or distributor.



Stocked at Depot

ITEM	DESCRIPTION	COMMENTS	PART NUMBER	
14	Burner Assembly	NG	20308286	Y
		Propane	20308287	Y
15	Tube, Tee to Valve	Qty 2 req	20305454K	
	Tube Tee to Injector		78D0090K	Y
	Regulator Tube	NG Only	20304913K	
	Pilot Tube	NG	20306010K	Y
Propane		20306011K		
16	Gas Valve Assembly	NG	20303257K	Y
		Propane	20303258K	Y
17	Pilot Assembly	NG	SRV14D0473	Y
		Propane	SRV14D0477	Y
	Pilot Regulator	NG Only	SRV14D0469	Y
18	Control Box	NG	SRV80D0018	Y
		Propane	SRV80D0019	Y
19	Command Center		SRV80D0005	Y
20	Injector (Qty 2 req)	NG	20305649	
		Propane	SRV62D3005	Y
21	Venturi (Qty 2 req)	NG	45D0600	
		Propane	20305775K	
22	Flexhose w/Shutoff Valve		SRV69D0030	Y
23	Remote Transmitter (Full Funtion)		SRV-TSFSC	
24	AC Module		SRV80D0004	Y
	Wire Valve/Control		80D0010	
	Wire AC Module		SRV80D0009	
	Wire, CC/CB 24" w/Power Leads		SRV20301889	Y
	Wire, Thermocouple Module SCS		SRV20301890	Y
	Wire, Piezo Assembly (Sensor Wire)		20303256K	Y
	Support, Glass (Painted)	Qty 4 req	20306020K	
25	Thermocouple Module		SRV20303179	Y