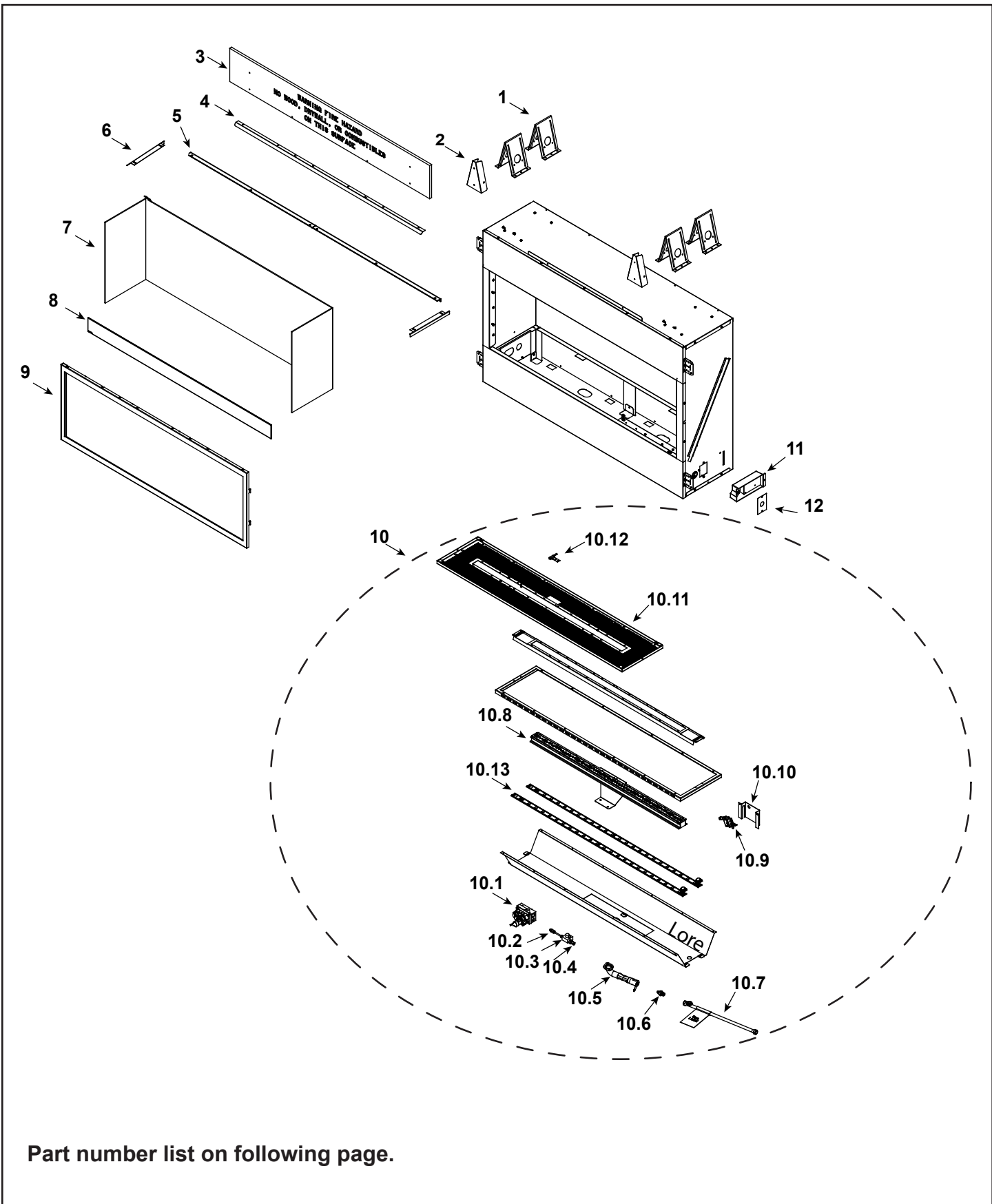


72" Artisan Vent Free Linear Fireplace



Part number list on following page.

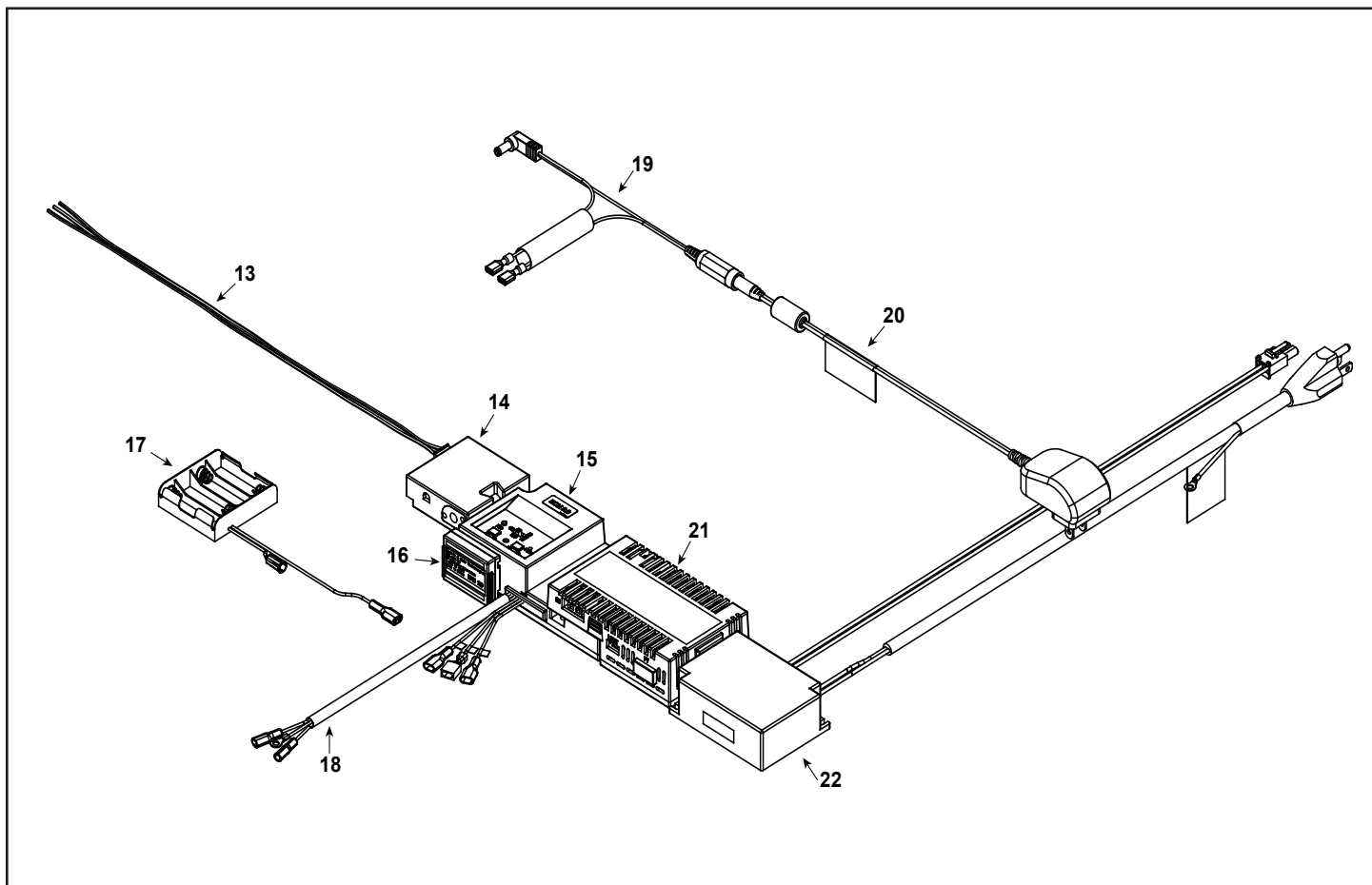


IMPORTANT: THIS IS DATED INFORMATION. Parts must be ordered from a dealer or distributor. **Hearth and Home Technologies does not sell directly to consumers.** Provide model number and serial number when requesting service parts from your dealer or distributor.

**Stocked
at Depot**

ITEM	DESCRIPTION	COMMENTS	PART NUMBER	
1	Top Standoff	Qty 4 Req	SRV11864	
2	Bracket	Qty 2 Req	SRV4099-198	
3	Non-Combustible Board		SRV4123-325	
4	Hood		SRV4123-135	
5	Panel Bracket (Back)	Qty 2 Req	SRV4123-195	
6	Panel Bracket (Sides)	Qty 2 Req	SRV4099-196	
7	Black Glass Assembly (Includes Back & 2 Sides)		SRV4123-025	Y
8	Deflection Glass		SRV4122-301	Y
9	Frame & Screen Assembly		SRV4123-029	Y
	Flex Line w/Shut-off		SRV69D0030	Y
10	Complete Service Engine	NG	SRV4123-017	
		LP	SRV4123-018	
10.1	Valve Assembly	NG	SRV4604-300	Y
		LP	SRV4604-301	Y
10.2	Tube, 3/16 Pilot (Cut into 2 lengths, for regulator to valve & pilot to regulator)		SRV20304115	Y
10.3	Pilot Regulator		SRV14D0469	Y
10.4	Fitting, 3/16 Tube x 1/8 NPT	Qty 2 Req	SRV20H0109	Y
	Venturi Gasket		SRV4099-191	Y
10.5	Venturi Assembly	NG	SRV4099-034	Y
		LP	SRV4099-033	Y
10.6	Orifice Flare .120 (#31) NG	NG	SRV4018-345	Y
	Orifice Flare .076 (#48) LP	LP	SRV4018-349	Y
10.7	Flex Gas Line, 16"		SRV4121-006	
10.8	Burner Assembly		SRV4101-021	Y
10.9	Pilot Assembly	NG	SRV26D2529	Y
		LP	SRV14D0476	Y
10.10	Pilot Shield		SRV4099-141	Y
10.11	Screen Cover		SRV4123-109	
10.12	Pilot Carry Over		SRV4099-143	
10.13	LED Light Strip	Qty 2 Req	SRV4122-321	
	Piezo Wire Assembly		20303256K	Y
	Remote RC450		IFT2-RC450	
	Reset Switch		SRV2206-298	Y
	Reset Switch Bracket		SRV4099-138	
11	Junction Box		SRV4021-013	Y
12	Cover Plate		SRV4604-103	

Additional service part numbers appear on following page.



IMPORTANT: THIS IS DATED INFORMATION. Parts must be ordered from a dealer or distributor. **Hearth and Home Technologies does not sell directly to consumers.** Provide model number and serial number when requesting service parts from your dealer or distributor.

Stocked at Depot

ITEM	DESCRIPTION	COMMENTS	PART NUMBER	Stocked at Depot
13	Wiring Harness, Thermocouple Module		SRV20301890	Y
14	Thermocouple Module		SRV4018-064	Y
15	Module, IFT2 Control		SRV2564-130	Y
16	Module, RF FCC		SRV2564-120	Y
17	Battery Holder 4AA, IFT		SRV2326-134	Y
18	Harness, IFT 6 Pin Wiring		SRV2326-132	Y
19	Reset Switch Wire		SRV2326-135	
20	Transformer, 6 Volt Wall		SRV2326-131	Y
21	US-ACM Module		SRV2564-150	
22	LED 12V Power Supply		2326-113	Y
	Wire Assembly		SRV4604-304	Y
	Harness, Light Bar		SRV4121-410	