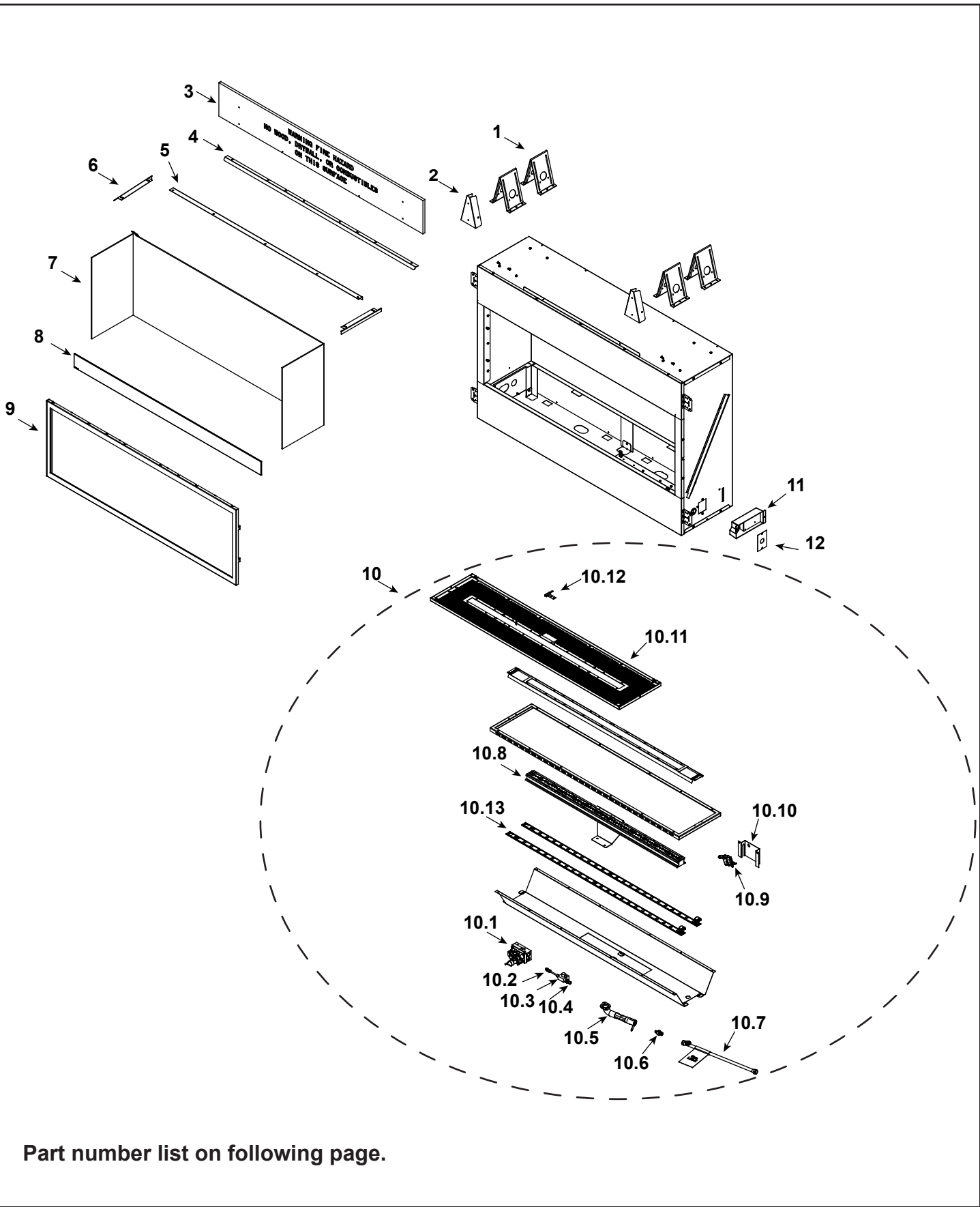


60" Artisan Vent Free Linear Fireplace



Part number list on following page.



Service Parts

AVFL60NIF, AVFL60PIF

Beginning Manufacturing Date: Sept 2024
Ending Manufacturing Date: Active

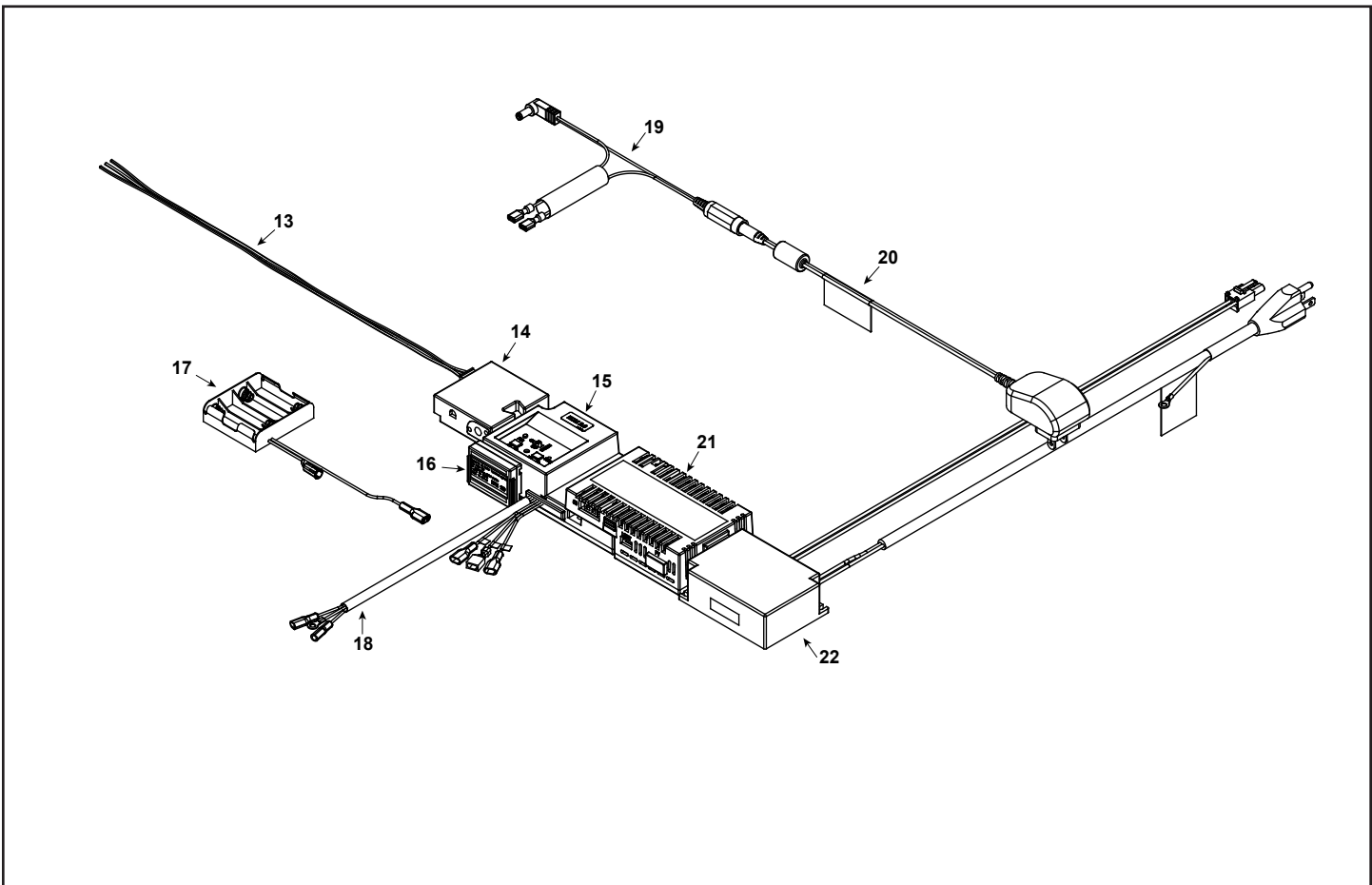
IMPORTANT: THIS IS DATED INFORMATION. Parts must be ordered from a dealer or distributor. **Hearth and Home Technologies does not sell directly to consumers.** Provide model number and serial number when requesting service parts from your dealer or distributor.



**Stocked
at Depot**

ITEM	DESCRIPTION	COMMENTS	PART NUMBER	
1	Top Standoff	Qty 4 Req	SRV11864	
2	Bracket	Qty 2 Req	SRV4099-198	
3	Non-Combustible Board		SRV4101-325	
4	Hood		SRV4101-135	
5	Panel Bracket (Back)		SRV4101-195	
6	Panel Bracket (Sides)	Qty 2 Req	SRV4099-196	
7	Black Glass Assembly (Includes Back & 2 Sides)		SRV4101-025	Y
8	Deflection Glass		SRV4112-301	Y
9	Frame & Screen Assembly		SRV4101-029	Y
	Flex Line w/Shut-off		SRV69D0030	Y
10	Complete Service Engine	NG	SRV4101-017	
		LP	SRV4101-018	
10.1	Valve Assembly	NG	SRV4604-300	Y
		LP	SRV4604-301	Y
10.2	Tube, 3/16 Pilot (Cut into 2 lengths, for regulator to valve & pilot to regulator)		SRV20304115	Y
10.3	Pilot Regulator		SRV14D0469	Y
10.4	Fitting, 3/16 Tube x 1/8 NPT	Qty 2 Req	SRV20H0109	Y
	Venturi Gasket		SRV4099-191	Y
10.5	Venturi Assembly	NG	SRV4099-034	Y
		LP	SRV4099-033	Y
10.6	Orifice Flare .120 (#31) NG	NG	SRV4018-345	Y
	Orifice Flare .076 (#48) LP	LP	SRV4018-349	Y
10.7	Flex Gas Line, 16"		SRV4121-006	
10.8	Burner Assembly		SRV4099-021	Y
10.9	Pilot Assembly	NG	SRV26D2529	Y
		LP	SRV14D0476	Y
10.10	Pilot Shield		SRV4099-141	Y
10.11	Screen Cover		SRV4099-109	
10.12	Pilot Carry Over		SRV4099-143	
10.13	LED Light Strip	Qty 2 Req	SRV4101-321	
	Piezo Wire Assembly		20303256K	Y
	Remote RC450		IFT2-RC450	
	Reset Switch		SRV2206-298	Y
	Reset Switch Bracket		SRV4099-138	
11	Junction Box		SRV4021-013	Y
12	Cover Plate		SRV4604-103	

Additional service part numbers appear on following page.



IMPORTANT: THIS IS DATED INFORMATION. Parts must be ordered from a dealer or distributor. **Hearth and Home Technologies does not sell directly to consumers.** Provide model number and serial number when requesting service parts from your dealer or distributor.


**Stocked
at Depot**

ITEM	DESCRIPTION	COMMENTS	PART NUMBER	Stocked at Depot
13	Wiring Harness, Thermocouple Module		SRV20301890	Y
14	Thermocouple Module		SRV4018-064	Y
15	Module, IFT2 Control		SRV2564-130	Y
16	Module, RF FCC		SRV2564-120	Y
17	Battery Holder 4AA, IFT		SRV2326-134	Y
18	Harness, IFT 6 Pin Wiring		SRV2326-132	Y
19	Reset Switch Wire		SRV2326-135	
20	Transformer, 6 Volt Wall		SRV2326-131	Y
21	US-ACM Module		SRV2564-150	
22	LED 12V Power Supply		2326-113	Y
	Wire Assembly		SRV4604-304	Y
	Harness, Light Bar		SRV4200-215	