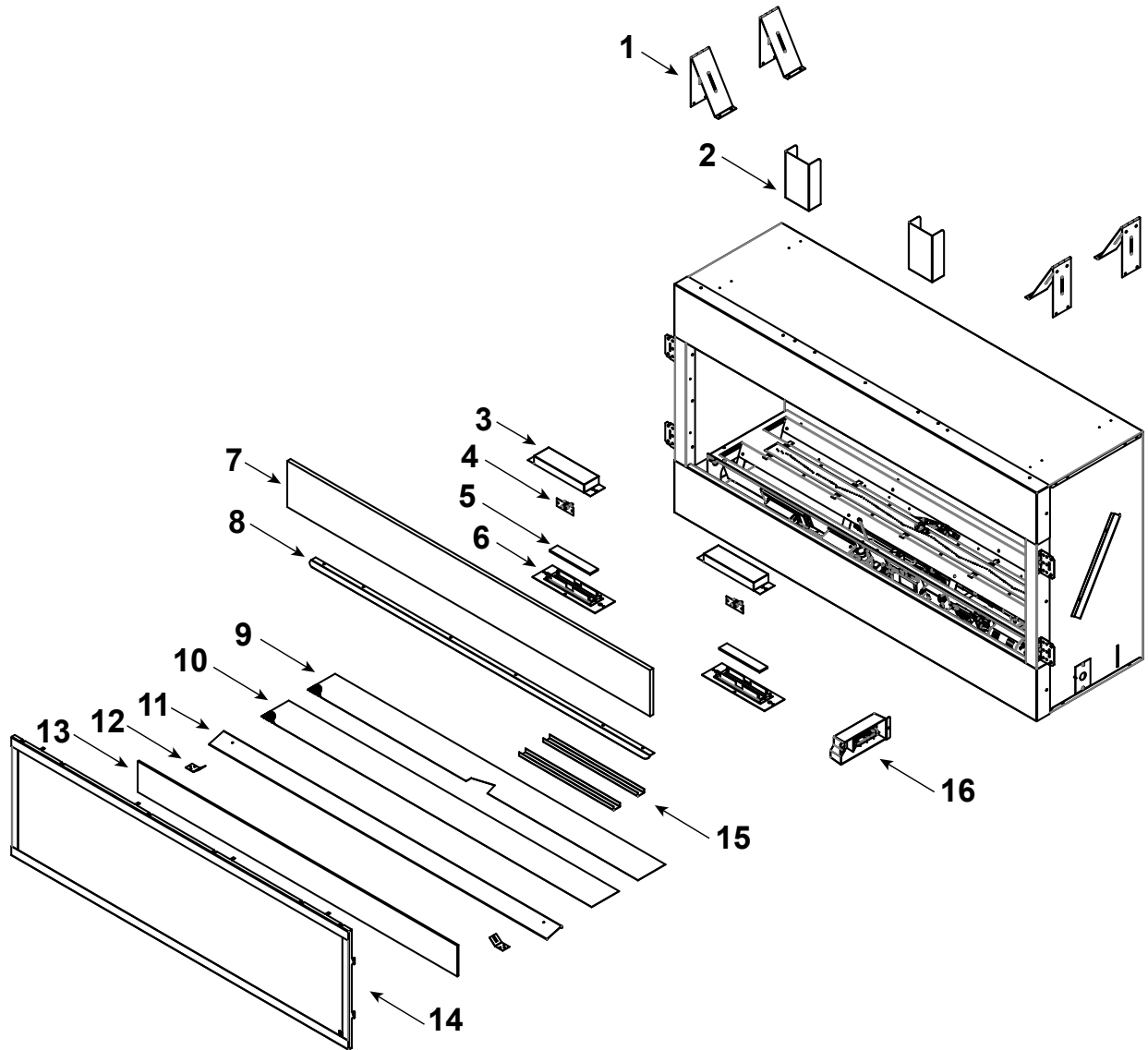


**60" Artisan Vent Free Linear Fireplace**



Part number list on following page.

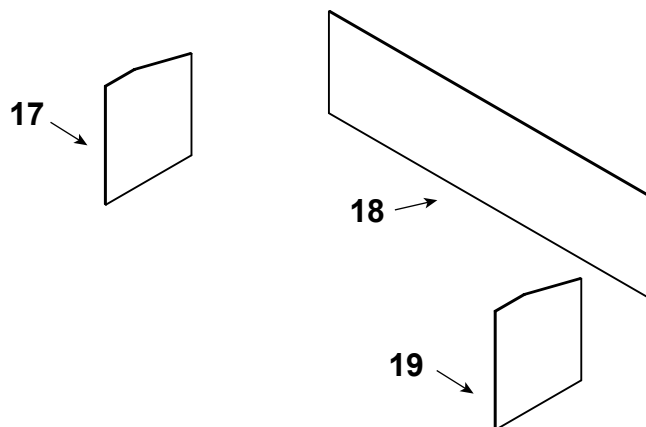
IMPORTANT: THIS IS DATED INFORMATION. Parts must be ordered from a dealer or distributor. **Hearth and Home Technologies does not sell directly to consumers.** Provide model number and serial number when requesting service parts from your dealer or distributor.



**Stocked  
at Depot**

ITEM	DESCRIPTION	COMMENTS	PART NUMBER	
1	Stand Off, Tall	Qty 4 req	SRV4090-511	
2	Mounting Bracket	Qty 2 req	SRV4602-164	
3	Reflector Light Assembly	Qty 2 req	20306017K	
4	Bulb Socket Assembly	Qty 2 req	20302295	
	Halogen Bulb, 90 Watt, 120 Volt	Qty 2 req	SRV4602-302	Y
5	Lense, Clear	Qty 2 req	20305773	
6	Accent Light Assembly	Qty 2 req	20305516K	
7	Face Top Board		SRV4605-302	
8	Eyebrow		SRV4605-122	
9	Steel Mesh, Rear		SRV4605-130	
10	Steel Mesh, Front		SRV4605-129	
11	Access Panel Assembly		SRV4605-013	
12	Support, Glass	Qty 2 req	20305518K	
13	Ceramic Glass, 48" x 4"		SRV4605-301	
14	Screen Assembly		SRV4605-009	
15	Engine Stand	Qty 2 req	SRV4605-128	
16	Junction Box		SRV4021-013	Y

**#17 Black Magic Glass**



17	Black Magic Glass, Left Side		SRV4605-305	
18	Black Magic Glass, Rear		SRV4605-303	
19	Black Magic Glass, Right Side		SRV4605-304	
	Bracket, Black Magic Glass	Qty 2 req	SRV4605-144	

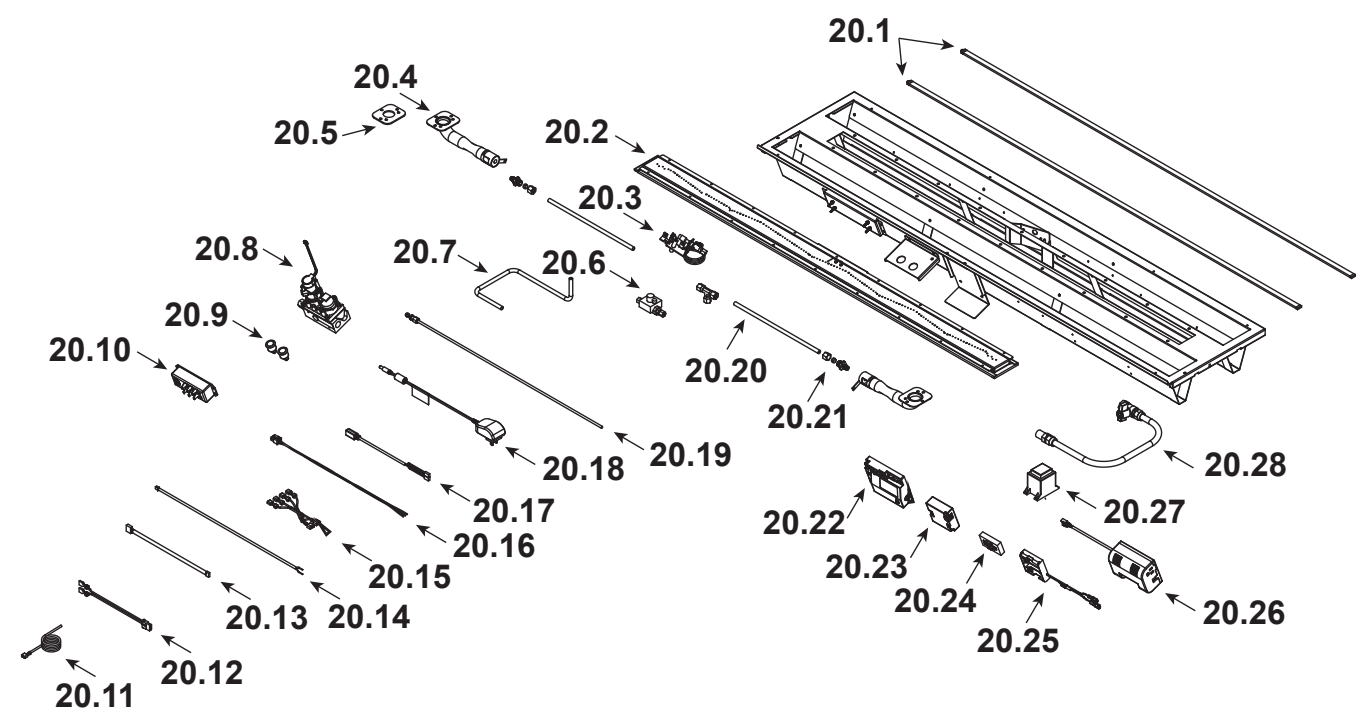
Additional service part numbers appear on following page.

Beginning Manufacturing Date: June 2017  
Ending Manufacturing Date: Aug 2021

IMPORTANT: THIS IS DATED INFORMATION. Parts must be ordered from a dealer or distributor. **Hearth and Home Technologies does not sell directly to consumers.** Provide model number and serial number when requesting service parts from your dealer or distributor.



Stocked at Depot

ITEM	DESCRIPTION	COMMENTS	PART NUMBER	
<b>#20 Engine Assembly</b>				
				
20.1	LED Light Strip	Qty 2 req	20308557K	
20.2	Burner Assembly		SRV4605-011	Y
20.3	Pilot Assembly	NG	SRV26D2529	Y
		LP	SRV14D0476	Y
20.4	Venturi	Qty 2 req	45D0600	
20.5	Gasket, Venturi	Qty 2 req	SRV45D0032	Y
20.6	Pilot Regulator	NG Only	SRV14D0469	Y
20.7	Tube, Tee to Valve		SRV4605-135	Y
20.8	Gas Valve Assembly	NG	SRV4604-300	Y
		LP	SRV4604-301	Y
20.9	LED Panel Switch	Qty 2 req	20308586K	Y
20.10	LED Control Module		SRV4121-160	Y
20.11	Piezo Wire Assembly, VF-SCS		20303256K	Y
20.12	Lighting Harness		SRV4601-201	Y
20.13	Wire, 8K-1 to Adapter Box		SRV4604-305	Y
20.14	Wire, ODS Module to Adapter Box		SRV4604-304	Y
20.15	Wire Harness Bulbs		SRV78D1077	Y
20.16	Wire, Thermocouple Module		SRV20301890	Y

Additional service part numbers appear on following page.



Service Parts

AVFL60NIP, AVFL60PIP

Beginning Manufacturing Date: June 2017
Ending Manufacturing Date: Aug 2021

IMPORTANT: THIS IS DATED INFORMATION. Parts must be ordered from a dealer or distributor. Hearth and Home Technologies does not sell directly to consumers. Provide model number and serial number when requesting service parts from your dealer or distributor.



Stocked at Depot

Table with 5 columns: ITEM, DESCRIPTION, COMMENTS, PART NUMBER, Stocked at Depot. Rows include items like Aux Input Cable, Transformer, Pilot Tube, Injectors, Control Module, ODS Module, etc.