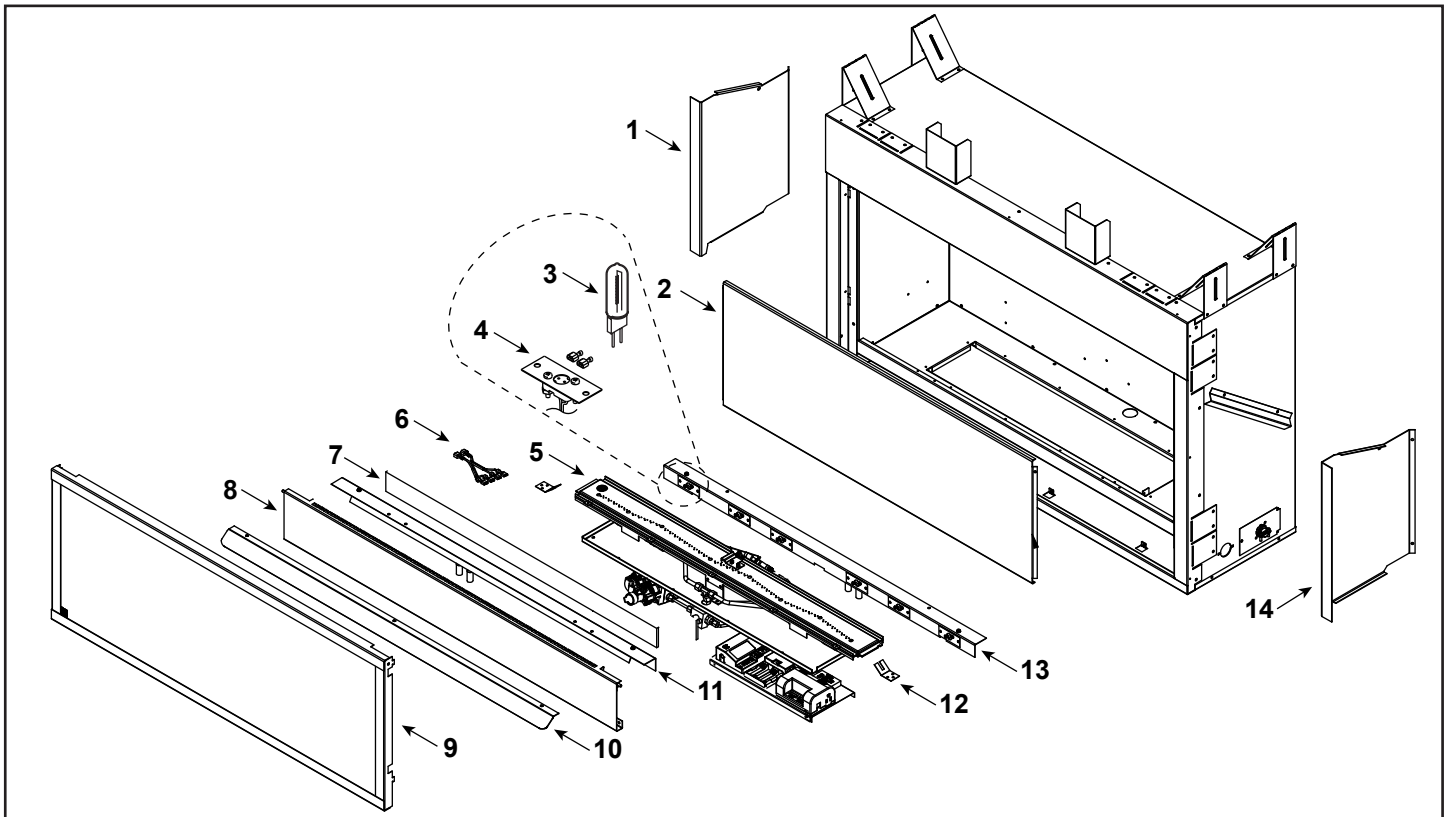


42" Artisan Vent Free Linear Fireplace

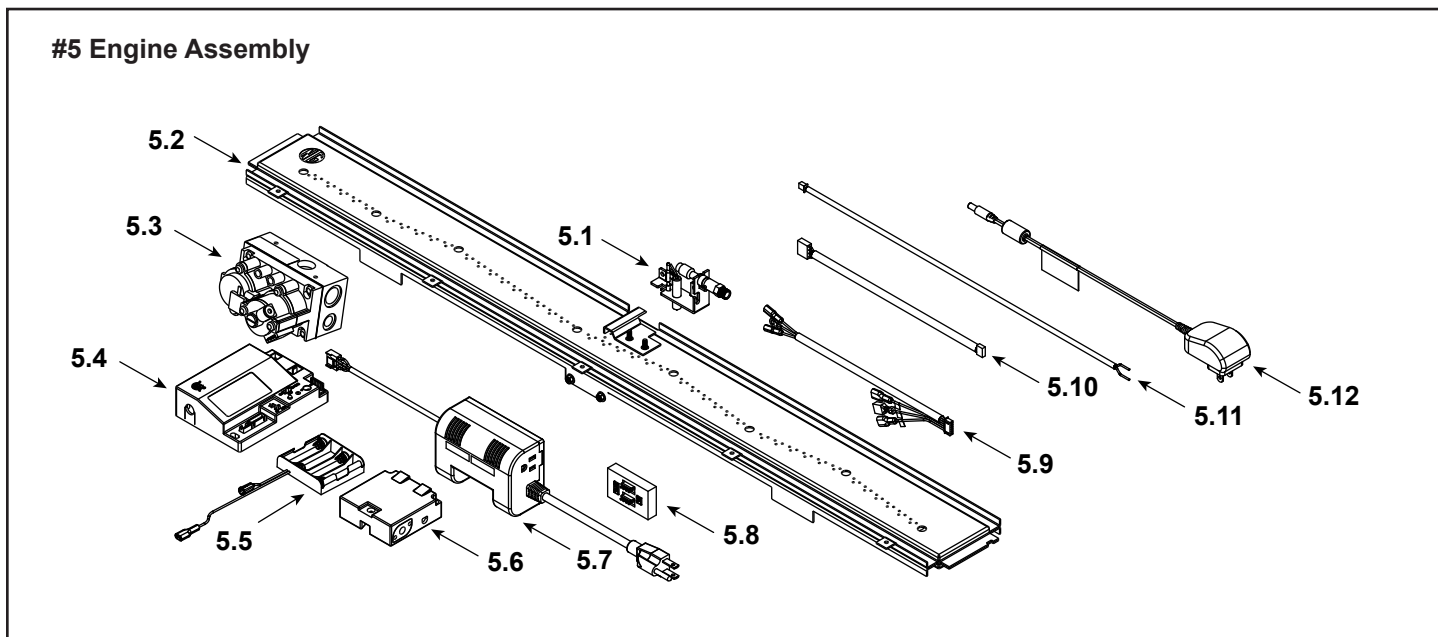


IMPORTANT: THIS IS DATED INFORMATION. Parts must be ordered from a dealer or distributor. **Hearth and Home Technologies does not sell directly to consumers.** Provide model number and serial number when requesting service parts from your dealer or distributor.



Stocked at Depot

ITEM	DESCRIPTION	COMMENTS	PART NUMBER	
1	Porcelain Panel, Left		20305462	
2	Porcelain Panel, Rear		20305461	
3	Bulb	15w (qty 12 req)	SRV4601-155	Y
		Top Light (90w)	SRV4602-302	Y
4	Bulb Socket	Qty 13 req	SRV73D4521	
5	Engine Assembly		SRV4119-015	
6	Wire Harness		SRV78D1077	Y
7	Deflection Glass		SRV20305432	Y
8	Panel, Access Door		20305434K	
9	Screen Frame Assembly		20305693K	Y
10	Eyebrow		SRV4116-135	
11	Light Assembly		20305969K	
12	Support, Glass (Painted)	Qty 2 req	20306020K	Y
13	Rear Light Assembly		20306046K	
14	Porcelain Panel Right		20305464	
	Reflector Light Assembly		SRV4117-030	
	Junction Box Assembly		26D2128K	
	Non Combustible/Cement Board		20305772	
	Remote, RC 300		SRV4605-307	Y



IMPORTANT: THIS IS DATED INFORMATION. Parts must be ordered from a dealer or distributor. **Hearth and Home Technologies does not sell directly to consumers.** Provide model number and serial number when requesting service parts from your dealer or distributor.


**Stocked
at Depot**

ITEM	DESCRIPTION	COMMENTS	PART NUMBER	Stocked at Depot
5.1	Pilot Assembly		SRV26D2529	Y
	Tube, Tee to Valve	Qty 2 req	20305454K	
	Tube Tee to Injector		78D0090K	Y
	Pilot Tube		SRV20304115	Y
	Pilot Regulator		SRV14D0469	Y
	Injector (Qty 2 req)		SRV20H3144	
5.2	Burner Assembly		SRV4117-013	Y
	Venturi (Qty 2 req)		45D0600	
5.3	Gas Valve Assembly		SRV593-500	Y
	Flexhose w/Shutoff Valve		SRV69D0030	Y
5.4	Module, IPI		2166-338	Y
5.5	Battery Pack		SRV2166-323	Y
5.6	Thermocouple Module		SRV20303179	Y
5.7	Auxiliary Box		SRV2166-335	Y
5.8	ODS Adapter Box		SRV4604-302	Y
5.9	Harness, IFT 6 Pin Wiring		SRV2326-132	Y
5.10	8K-1 Adapter Wire		SRV4604-305	Y
5.11	Wire Assembly, ODS to Adapter		SRV4604-304	Y
5.12	Transformer, 6 Volt		SRV2326-131	Y
	Wire, Thermocouple Module SCS		SRV20301890	Y
	Wire, Piezo Assembly (Sensor Wire)		20303256K	Y

