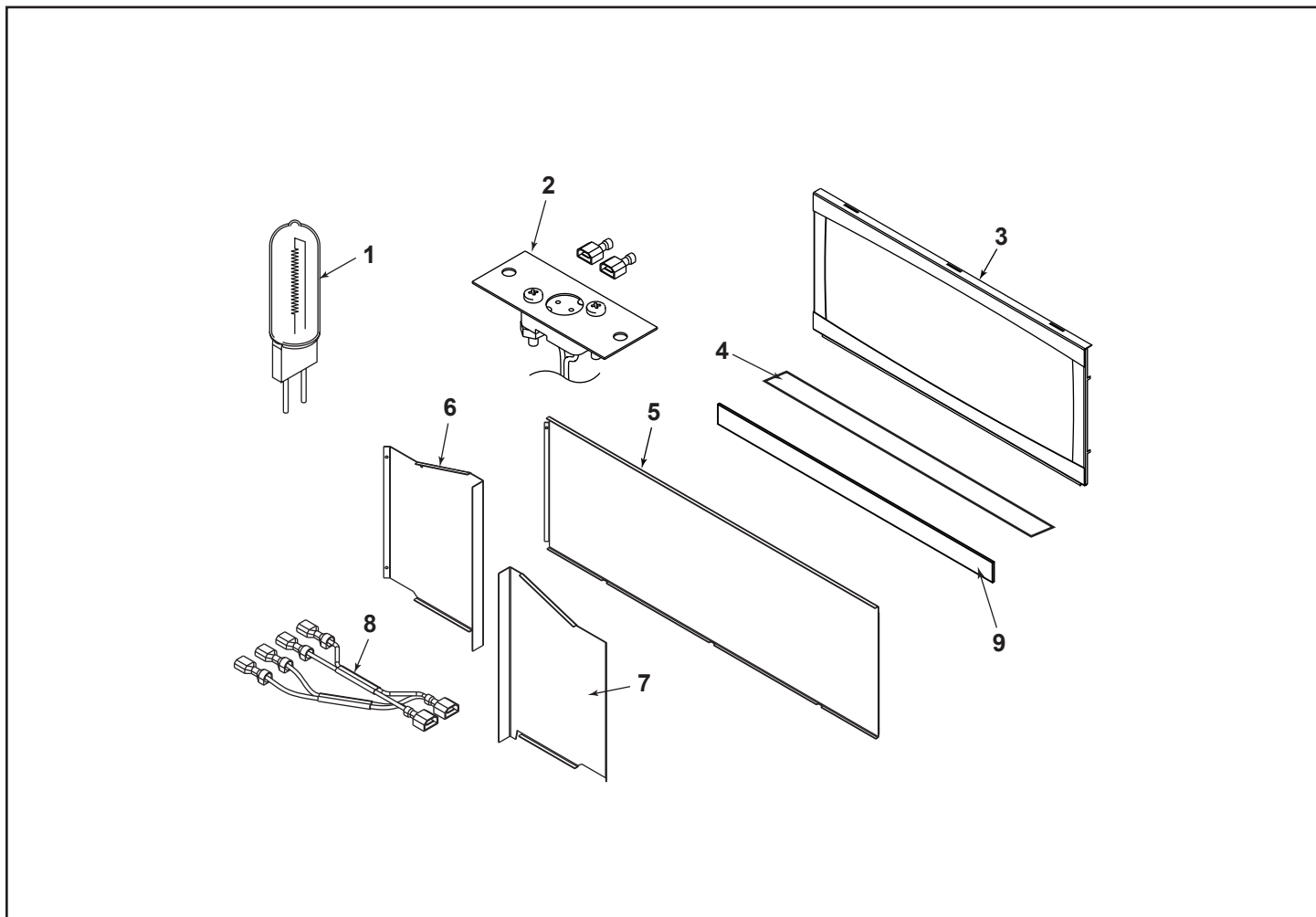


42" Artisan Vent Free Linear Fireplace



IMPORTANT: THIS IS DATED INFORMATION. Parts must be ordered from a dealer or distributor. **Hearth and Home Technologies does not sell directly to consumers.** Provide model number and serial number when requesting service parts from your dealer or distributor.

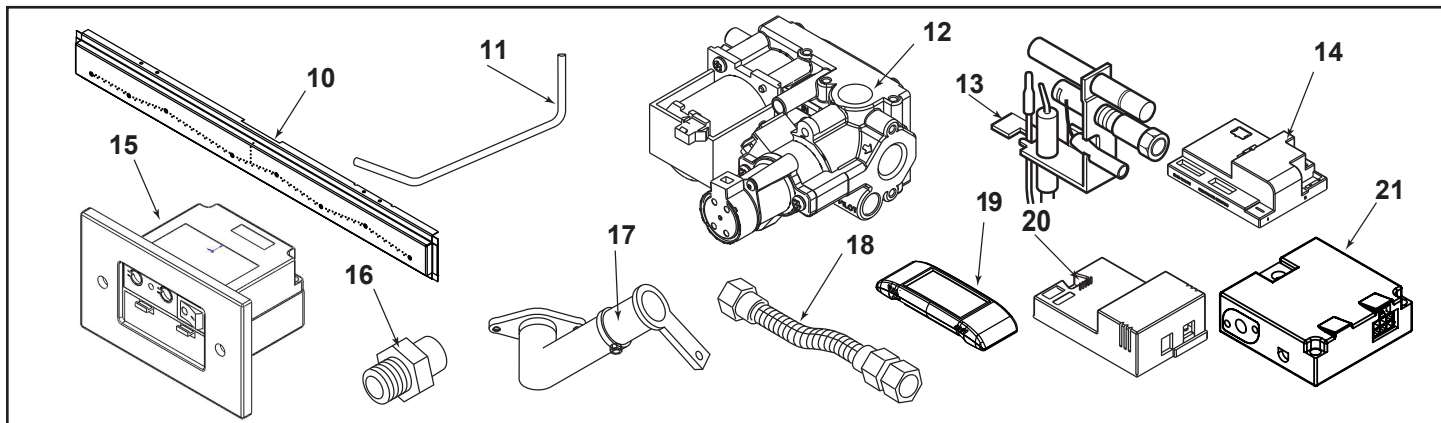


Stocked at Depot

ITEM	DESCRIPTION	COMMENTS	PART NUMBER	Stocked at Depot
1	Bulb	15w (qty 12 req)	SRV4601-155	Y
		Top Light (90w)	SRV4602-302	Y
2	Bulb Socket	Qty 13 req	SRV73D4521	
3	Screen Frame Assembly		20305693K	Y
4	Panel, Access Door		20305434K	
5	Porcelain Panel, Rear		20305461	
6	Porcelain Panel, Left		20305462	
7	Porcelain Panel Right		20305464	
8	Wire Harness		SRV78D1077	Y
	Junction Box Assembly		26D2128K	
9	Deflection Glass		SRV20305432	Y
	Non Combustible/Cement Board		20305772	



Beginning Manufacturing Date: N/A  
Ending Manufacturing Date: Nov 2020



IMPORTANT: THIS IS DATED INFORMATION. Parts must be ordered from a dealer or distributor. **Hearth and Home Technologies does not sell directly to consumers.** Provide model number and serial number when requesting service parts from your dealer or distributor.



Stocked at Depot

ITEM	DESCRIPTION	COMMENTS	PART NUMBER	Stocked at Depot
10	Burner Assembly	NG	20305656K	Y
		Propane	20305468K	Y
11	Tube, Tee to Valve	Qty 2 req	20305454K	
	Tube Tee to Injector		78D0090K	Y
	Regulator Tube	NG Only	20304913K	
	Pilot Tube	NG	20306010K	Y
12	Gas Valve Assembly	NG	20303257K	Y
		Propane	20303258K	Y
13	Pilot Assembly	NG	SRV14D0473	Y
		Propane	SRV14D0477	Y
	Pilot Regulator	NG Only	SRV14D0469	Y
14	Control Box	NG	SRV80D0018	Y
		Propane	SRV80D0019	Y
15	Command Center		SRV80D0005	Y
16	Injector (Qty 2 req)	NG	20305649	
		Propane	SRV62D3005	Y
17	Venturi (Qty 2 req)	NG	45D0600	
		Propane	20305775K	
18	Flexhose w/Shutoff Valve		SRV69D0030	Y
19	Remote Transmitter (Full Funtion)		SRV-TSFSC	
20	AC Module		SRV80D0004	
	Wire Valve/Control		SRV80D0010	Y
	Wire AC Module		SRV80D0009	
	Wire, CC/CB 24" w/Power Leads		SRV20301889	Y
	Wire, Thermocouple Module SCS		SRV20301890	Y
	Wire, Piezo Assembly (Sensor Wire)		20303256K	
	Support, Glass (Painted)	Qty 2 req	20306020K	
21	Thermocouple Module		SRV20303179	Y

