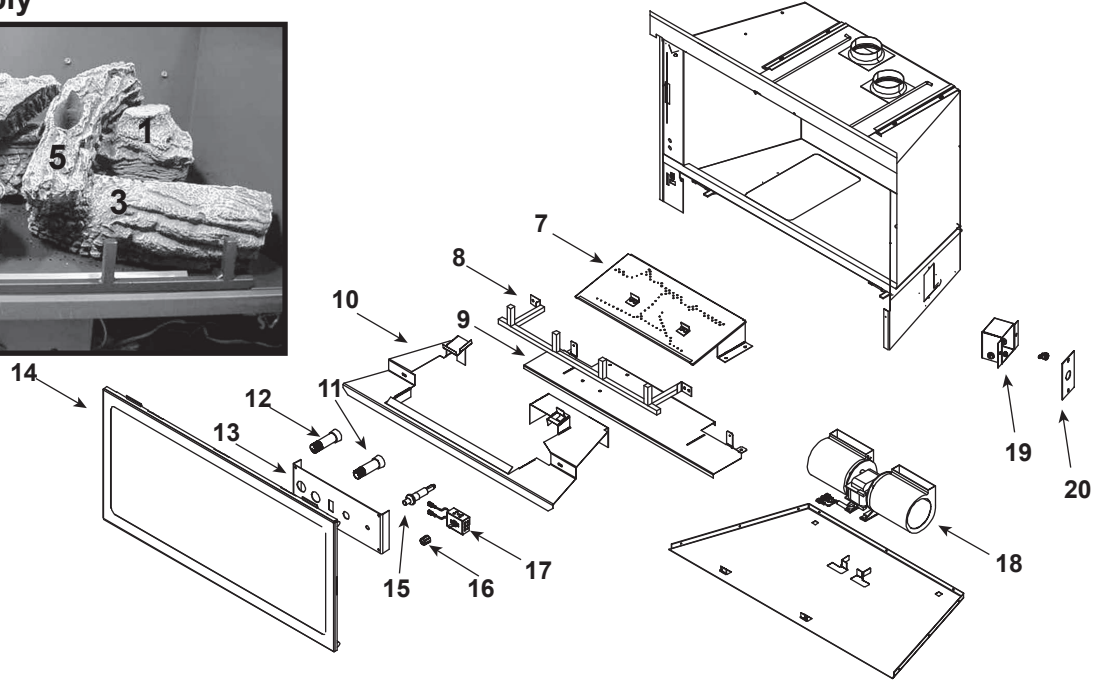


Log Set Assembly



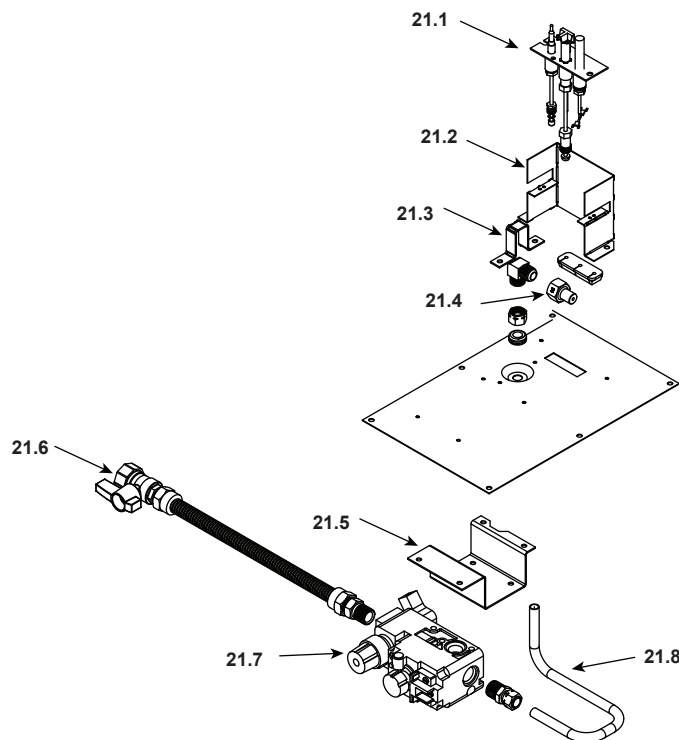
IMPORTANT: THIS IS DATED INFORMATION. Parts must be ordered from a dealer or distributor. **Hearth and Home Technologies does not sell directly to consumers.** Provide model number and serial number when requesting service parts from your dealer or distributor.

ITEM	DESCRIPTION	Comments	PART NUMBER
	Log Set Assembly		LOGS-ATS-D
1	Log #1	No longer available, Must order complete assembly	SRV327-701
2	Log #2		SRV327-702
3	Log #3		SRV327-703
4	Log #4		SRV327-704
5	Log #5		SRV327-705
6	Log #6		SRV438-724
7	Burner Assembly N		327-176A
	Burner Assembly P		327-175A
8	Grate	No longer available	327-360A
9	Heat Shield	No longer available	327-150
10	Base Pan	No longer available	327-124
11	Flame Control Knob	No longer available	571-531
12	Pilot Control Knob	No longer available	571-530
13	Valve Cover	No longer available	327-119
14	Glass Door Assembly		GLA-349
15	Piezo Ignitor		291-513
16	Rheostat Knob		SRV100-512
17	Rheostat Assembly 220V		491-510A
18	Blower Assembly		GFK-240V
19	Junction Box	No longer available	491-250A
20	Cover Plate	No longer available	060-219

No one builds a better fire

Beginning Manufacturing Date: Apr 2001
Ending Manufacturing Date: Mar 2011

21 Valve Assembly



IMPORTANT: THIS IS DATED INFORMATION. Parts must be ordered from a dealer or distributor. **Hearth and Home Technologies does not sell directly to consumers.** Provide model number and serial number when requesting service parts from your dealer or distributor.

ITEM	DESCRIPTION	COMMENTS	PART NUMBER
21.1	Pilot Assembly N		4021-736
	Pilot Assembly P		4021-737
21.2	Pilot Bracket	No longer available	571-164
21.3	Orifice Bracket	No longer available	438-223
21.4	Orifice N (#34A)	No longer available	067-800
	Orifice P (#51A)	No longer available	079-803
21.5	Valve Bracket	No longer available	571-152
21.6	Gas Shutoff Assembly		SRV302-320
21.7	Valve N		060-522
	Valve P		060-523
21.8	Flexible Gas Connector		477-301A
	Wire Asembly	No longer available	2020-059
	Dress Guard	No longer available	DF-ATS-D
	Glass Latch Assembly	Pkg of 2	386-122A/2
	Mineral Wool		050-721
	Temp Sensor		046-530
	Touch-Up Paint		TUP-GBK-12
	Pilot Orifice N (.0181)	No longer available	060-517
	Pilot Orifice P (.0121)	No longer available	060-505