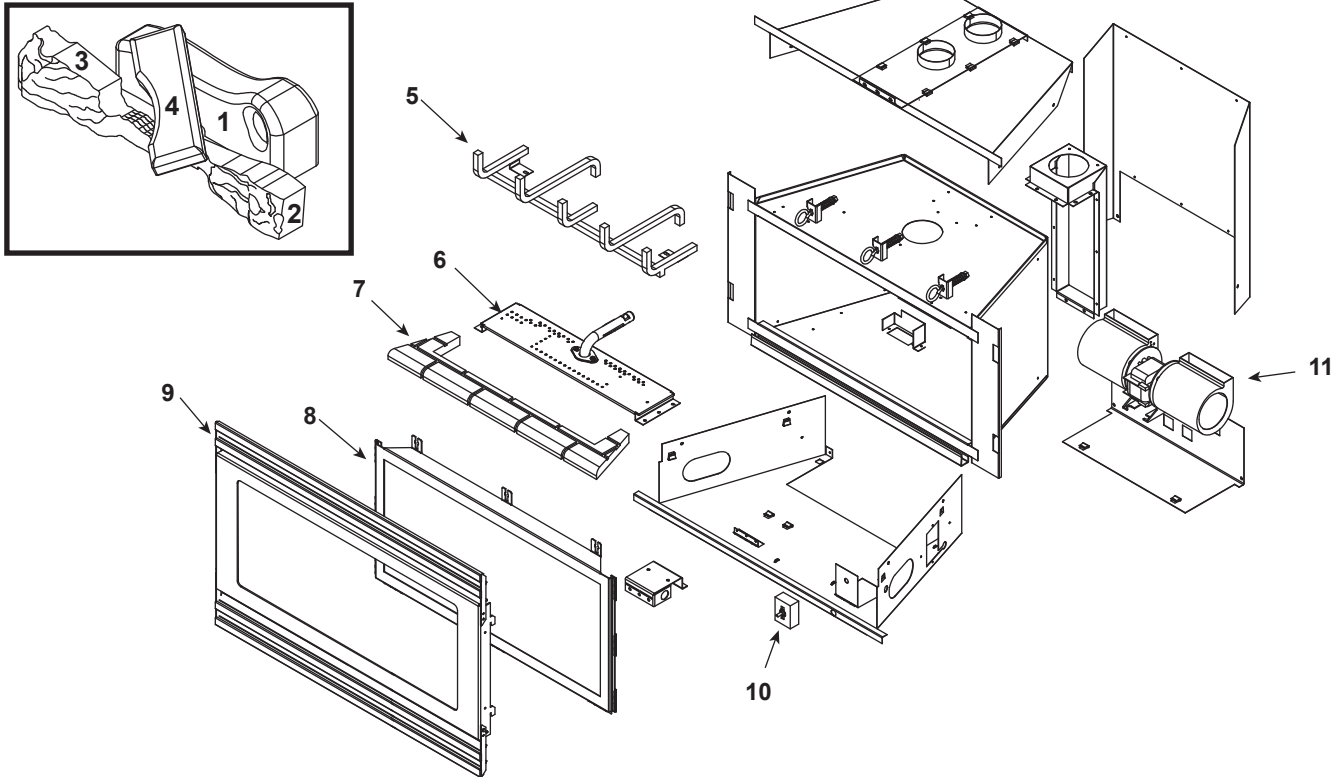


Log Set Assembly



IMPORTANT: THIS IS DATED INFORMATION. Parts must be ordered from a dealer or distributor. **Hearth and Home Technologies does not sell directly to consumers.** Provide model number and serial number when requesting service parts from your dealer or distributor.



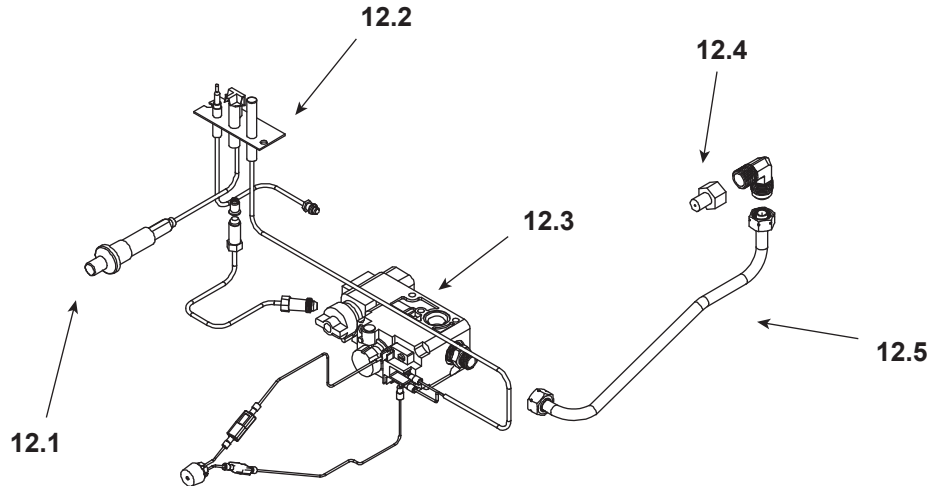
Stocked at Depot

ITEM	DESCRIPTION	COMMENTS	PART NUMBER	
	Log Set Assembly	No longer available	LOGS-ATZC	Y
1	Log 1	No longer available	SRV485-701	
2	Log 2		SRV446-702	
3	Log 3		SRV446-703	
4	Log 4	No longer available	SRV485-702	
6	Burner Assembly	No longer available	485-275A	Y
5	Log Grate	No longer available	485-360A	
7	Base Refractory	No longer available	SRV485-700	
8	Glass Door Assembly	No longer available	GLA-ATZC	
9	Decorative Front	No longer available	DF-ZC	
10	Rheostat		SRV100-510A	Y
	Rheostat Knob		SRV100-512	Y
11	Blower		GFK-160A	
	Junction Box	No longer available	040-250A	
	Mineral Wool		050-721	
	Remote		SMART-STAT-HHT	
	Touch up Paint		TUPB-12	

No one builds a better fire

Beginning Manufacturing Date: Feb 1997
Ending Manufacturing Date: Aug 1998

#12 Valve Assembly



IMPORTANT: THIS IS DATED INFORMATION. Parts must be ordered from a dealer or distributor. **Hearth and Home Technologies does not sell directly to consumers.** Provide model number and serial number when requesting service parts from your dealer or distributor.



**Stocked
at Depot**

ITEM	DESCRIPTION	COMMENTS	PART NUMBER	
12.1	Piezo Ignitor		291-513	Y
12.2	Pilot Assembly NG		2103-010	Y
	Pilot Assembly LP		2103-011	Y
	Pilot Tube		SRV485-301	Y
	Thermocouple		446-511	Y
	Thermopile		2103-512	Y
12.3	Valve NG		060-522	Y
	Valve LP		060-523	Y
12.4	Burner Orifice NG (#42A)		060-800	Y
	Burner Orifice LP (#53A)		060-801	Y
12.5	Burner Tube		567-301A	Y
	Flex Ball Valve Assembly		SRV302-320	Y
	On/Off, Switch		SRV32D0232	Y
	Remote Wire Assembly	No longer available	436-509A	
	Temp Sensor		046-530	Y
	Conversion Kit NG	No longer available	NGK-ATZC	
	Conversion Kit LP	No longer available	LPK-ATZC	
	Regulator NG		SRV060-518	Y
	Regulator LP		060-519	Y
	Pilot Orifice NG		SRV446-505	Y
	Pilot Orifice LP		SRV446-517	Y