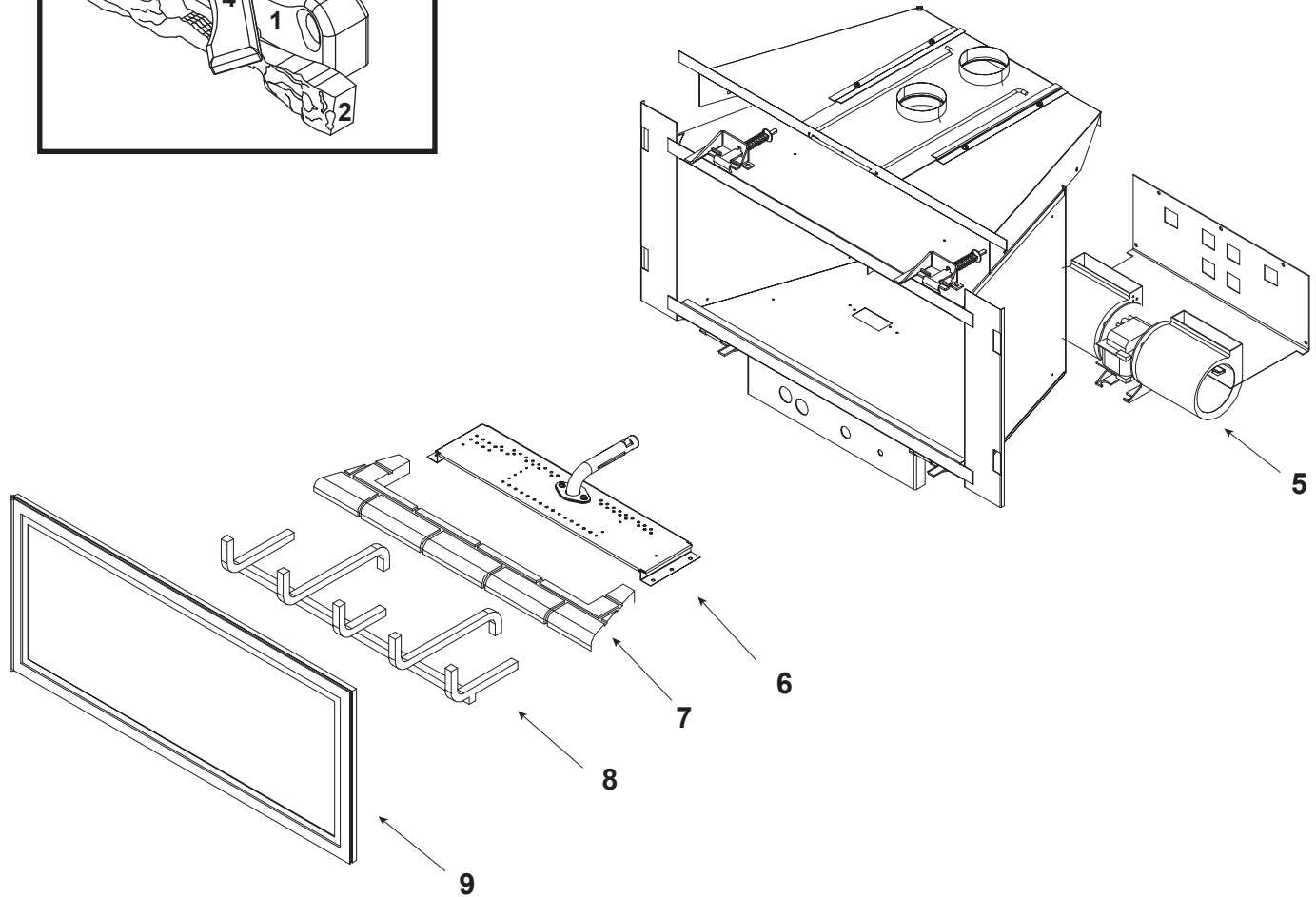
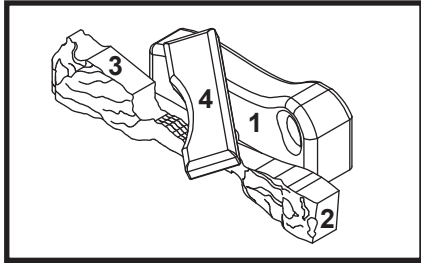


### Log Set Assembly



IMPORTANT: THIS IS DATED INFORMATION. Parts must be ordered from a dealer or distributor. **Hearth and Home Technologies does not sell directly to consumers.** Provide model number and serial number when requesting service parts from your dealer or distributor.



**Stocked  
at Depot**

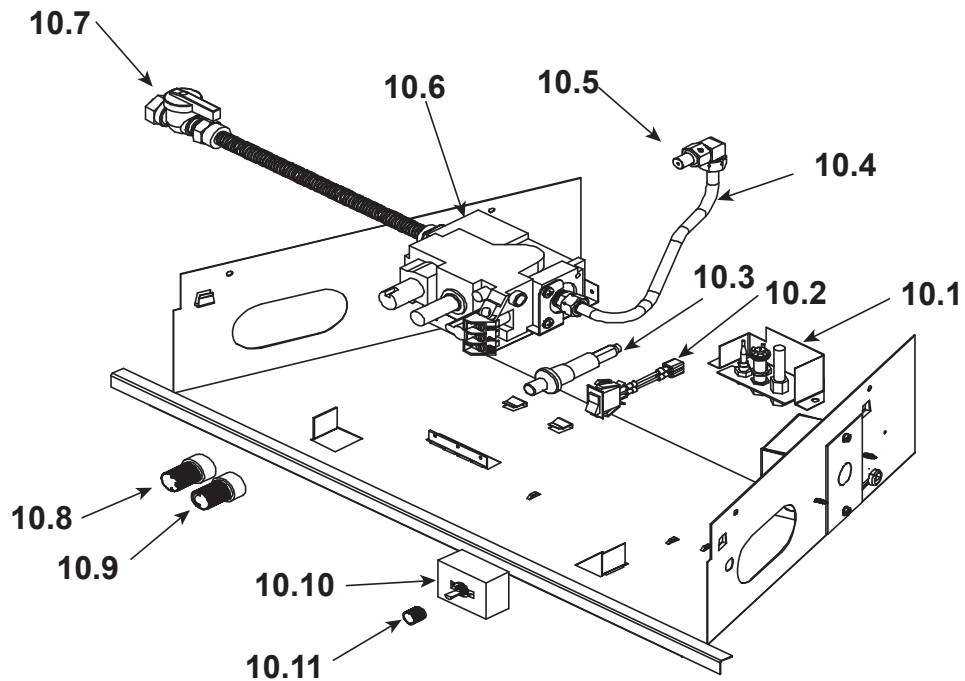
ITEM	DESCRIPTION	COMMENTS	PART NUMBER	
	Log Set Assembly	No longer available	LOGS-ATZC	
1	Log 1	No longer available	SRV485-701	
2	Log 2		SRV446-702	
3	Log 3		SRV446-703	
4	Log 4	No longer available	SRV485-702	
5	Blower		GFK-160A	
6	Burner Assembly	No longer available	485-275A	
7	Base Refractory	No longer available	SRV485-700	
8	Log Grate	No longer available	485-360A	
9	Glass Door Assembly	No longer available	GLA-ATZC-C	

Additional service part numbers on following page

No one builds a better fire

Beginning Manufacturing Date: Aug 1998  
Ending Manufacturing Date: June 2002

### #10 Valve Assembly



IMPORTANT: THIS IS DATED INFORMATION. Parts must be ordered from a dealer or distributor. **Hearth and Home Technologies does not sell directly to consumers.** Provide model number and serial number when requesting service parts from your dealer or distributor.



Stocked at Depot

ITEM	DESCRIPTION	PART NUMBER		
		S.I.T. Pre Feb 2001	RS Post Feb 2001	
10.1	Pilot Assembly NG	2103-010	4021-736	Y
	Pilot Assembly LP	2103-011	4021-737	Y
	Pilot Tube	N/A	SRV485-301	Y
	Thermocouple	571-511	446-511	Y
	Thermopile	2103-512	2103-512	Y
10.2	On/Off, Switch	SRV32D0232	SRV32D0232	Y
10.3	Piezo Ignitor	291-513	291-513	Y
10.4	Burner Tube	477-301A	477-301A	Y
10.5	Burner Orifice NG (#42A)	060-800	060-800	Y
	Burner Orifice LP (#53A)	060-801	060-801	Y
10.6	Valve NG	SRV230-0710	060-522	Y
	Valve LP	230-0720	060-523	Y
10.7	Flex Ball Valve Assembly	SRV302-320	SRV302-320	Y
10.8	Flame control Knob (No longer available)	571-531	571-531	Y
10.9	Pilot control Knob (No longer available)	571-530	571-530	Y
10.10	Rheostat	100-510A	SRV100-510A	Y
10.11	Rheostat Knob	SRV100-512	SRV100-512	Y

Additional service part numbers on following page

