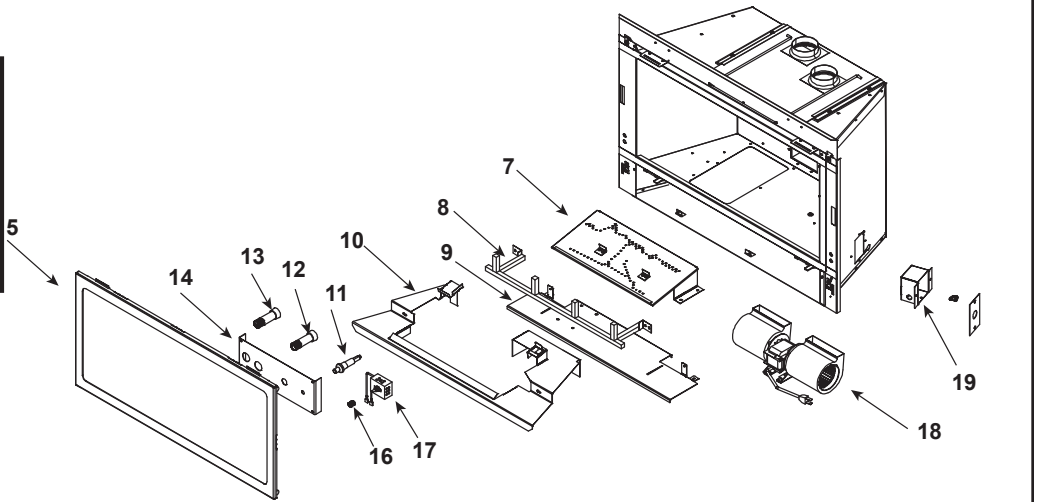


Log Set Assembly



IMPORTANT: THIS IS DATED INFORMATION. Parts must be ordered from a dealer or distributor. **Hearth and Home Technologies does not sell directly to consumers.** Provide model number and serial number when requesting service parts from your dealer or distributor.



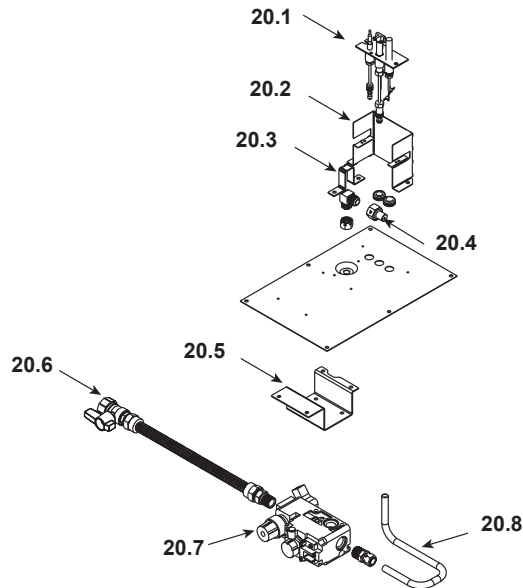
Stocked at Depot

ITEM	DESCRIPTION	COMMENTS	PART NUMBER	
	Log Set Assembly		LOGS-ATS-D	Y
1	Log 1	No longer available, Must order complete assembly	SRV327-701	
2	Log 2		SRV327-702	
3	Log 3		SRV327-703	
4	Log 4		SRV327-704	
5	Log 5		SRV327-705	
6	Log 6		SRV438-724	
7	Burner Assembly NG		327-176A	Y
	Burner Assembly LP		327-175A	Y
8	Log Grate	No longer available	327-360A	
9	Heat Shield	No longer available	327-150	
10	Base Pan	No longer available	327-124	
11	Piezo Ignitor		291-513	Y
12	Flame Control Knob	No longer available	571-531	
13	Pilot Control Knob	No longer available	571-530	
14	Valve Cover Plate	No longer available	327-119	
15	Glass Door Assembly		GLA-349	Y
16	Rheostat		SRV100-510A	Y
17	Rheostat Knob		SRV100-512	Y
18	Blower		GFK-160A	
19	Junction Box	No longer available	040-250A	
	Decorative Front	No longer available	DF-ATS-D	
	Mineral Wool		050-721	
	Remote		SMART-STAT-HHT	
	Remote Wire Assembly	No longer available	571-512A	
	Touch up Paint		TUPB-12	

No one builds a better fire

Beginning Manufacturing Date: June 2001
Ending Manufacturing Date: June 2002

#20 Valve Assembly



IMPORTANT: THIS IS DATED INFORMATION. Parts must be ordered from a dealer or distributor. **Hearth and Home Technologies does not sell directly to consumers.** Provide model number and serial number when requesting service parts from your dealer or distributor.



**Stocked
at Depot**

ITEM	DESCRIPTION	COMMENTS	PART NUMBER	
20.1	Pilot Assembly NG		4021-736	Y
	Pilot Assembly LP		4021-737	Y
	Thermocouple		446-511	Y
	Thermopile		2103-512	Y
	Pilot Tube		SRV485-301	Y
20.2	Pilot Bracket	No longer available	571-164	
20.3	Orifice Bracket	No longer available	438-223	
20.4	Burner Orifice NG (#34A)	No longer available	067-800	
	Burner Orifice LP (#51A)	No longer available	079-803	
20.5	Valve Bracket	No longer available	571-152	
20.6	Flex Ball Valve Assembly		SRV302-320	Y
20.7	Valve NG		060-522	Y
	Valve LP		060-523	Y
20.8	Burner Tube		477-301A	Y
	Wire Assembly	No longer available	2020-059	
	On/Off Wire Assembly	No longer available	436-509A	
	Temp Sensor		046-530	Y
	Conversion Kit NG	No longer available	NGK-ATSD	
	Conversion Kit LP	No longer available	LPK-ATSD	
	Regulator NG		SRV060-518	Y
	Regulator LP		060-519	Y
	Pilot Orifice NG		SRV446-505	Y
	Pilot Orifice LP		SRV446-517	Y