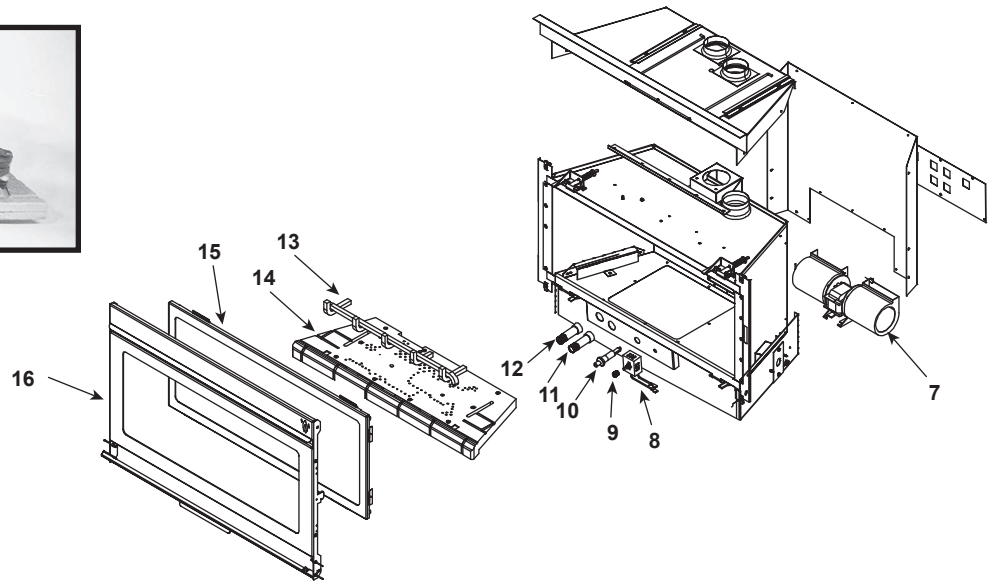
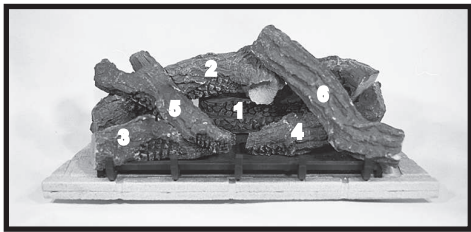


### Log Set Assembly



IMPORTANT: THIS IS DATED INFORMATION. Parts must be ordered from a dealer or distributor. **Hearth and Home Technologies does not sell directly to consumers.** Provide model number and serial number when requesting service parts from your dealer or distributor.

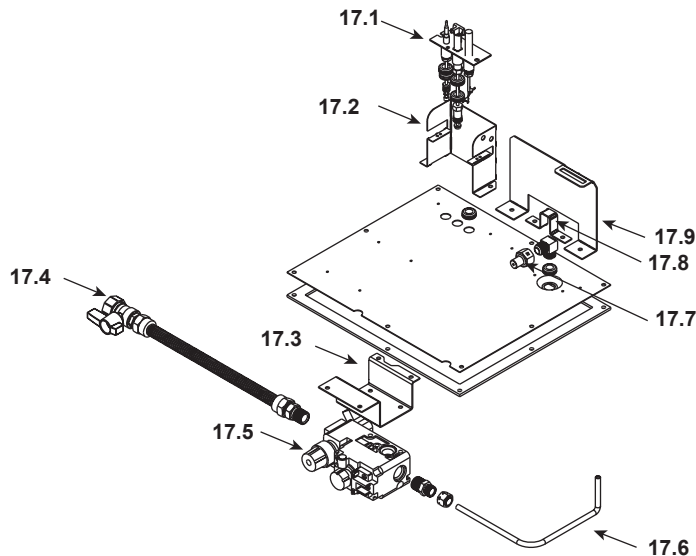


**Stocked  
at Depot**

ITEM	DESCRIPTION	COMMENTS	PART NUMBER	
	Log Set Assembly		LOGS-ATSC	Y
1	Log 1	<b>No longer available, Must order complete assembly</b>	SRV438-721	
2	Log 2		SRV438-722	
3	Log 3		SRV438-725	
4	Log 4		SRV438-723	
5	Log 5		SRV438-724	
6	Log 6		SRV438-726	
7	Blower		GFK-160A	
8	Rheostat		SRV100-510A	Y
9	Rheostat Knob		SRV100-512	Y
10	Piezo Ignitor		291-513	Y
11	Flame Control Knob	<b>No longer available</b>	571-531	
12	Pilot Control Knob	<b>No longer available</b>	571-530	
13	Log Grate	<b>No longer available</b>	438-362A	
14	Burner Assembly NG		438-710A	
	Burner Assembly LP		438-711A	
15	Glass Door Assembly	<b>No longer available</b>	GLA-ATSC	
16	Decorative Front	<b>No longer available</b>	DF-ATS-C	
	Junction Box	<b>No longer available</b>	040-250A	
	Mineral Wool		050-721	
	Remote		SMART-STAT-HHT	
	Remote Wire Assembly	<b>No longer available</b>	571-512A	
	Touch up Paint		TUPB-12	

Additional service part numbers on following page.

### #17 Valve Assembly



IMPORTANT: THIS IS DATED INFORMATION. Parts must be ordered from a dealer or distributor. **Hearth and Home Technologies does not sell directly to consumers.** Provide model number and serial number when requesting service parts from your dealer or distributor.



**Stocked  
at Depot**

ITEM	DESCRIPTION	COMMENTS	PART NUMBER	
17.1	Pilot Assembly NG		4021-736	Y
	Pilot Assembly LP		4021-737	Y
	Thermocouple		446-511	Y
	Thermopile		2103-512	Y
	Pilot Tube		SRV485-301	Y
17.2	Pilot Bracket	No longer available	438-164	
17.3	Valve Bracket	No longer available	571-152	
17.4	Flex Ball Valve Assembly		SRV302-320	Y
17.5	Valve NG		060-522	Y
	Valve LP		060-523	Y
17.6	Burner Tube		477-301A	Y
17.7	Burner Orifice NG (#33A)	No longer available	438-800	
	Burner Orifice LP (#51A)	No longer available	079-803	
17.8	Orifice Bracket	No longer available	438-222	
17.9	Air Deflector	No longer available	438-121	
	On/Off Wire Assembly	No longer available	436-509A	
	Temp Sensor		107-531A	Y
	Conversion Kit NG	No longer available	NGK-ATSC	
	Conversion Kit LP	No longer available	LPK-ATSC	
	Regulator NG		SRV060-518	Y
	Regulator LP		060-519	Y
	Pilot Orifice NG		SRV446-505	Y
	Pilot Orifice LP		SRV446-517	Y