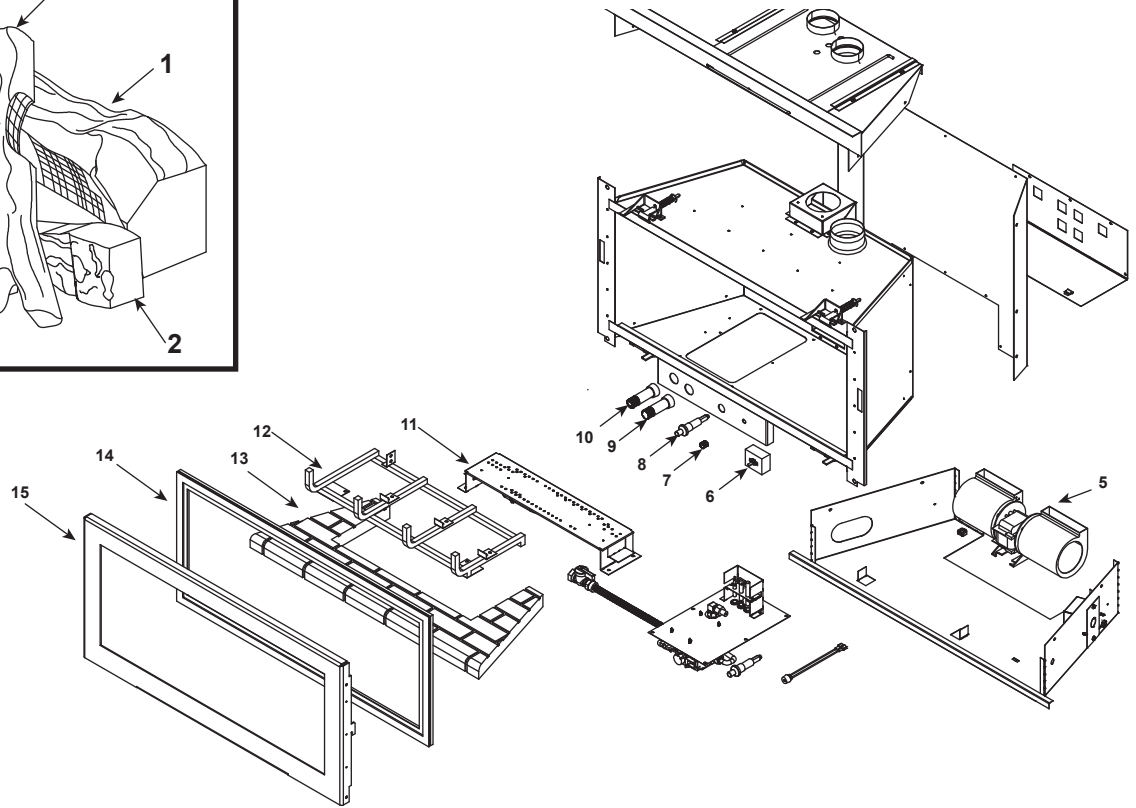
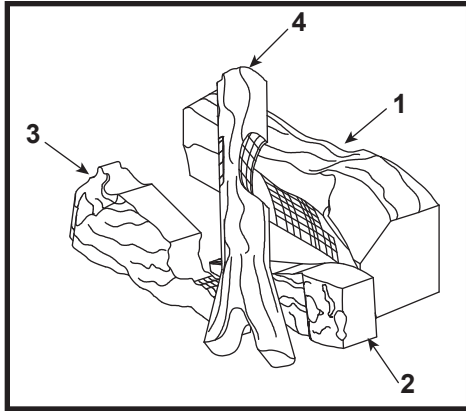


### Log Set Assembly



IMPORTANT: THIS IS DATED INFORMATION. Parts must be ordered from a dealer or distributor. **Hearth and Home Technologies does not sell directly to consumers.** Provide model number and serial number when requesting service parts from your dealer or distributor.



Stocked at Depot

ITEM	DESCRIPTION	COMMENTS	PART NUMBER	
	Log Set Assembly		LOGS-ATS	Y
1	Log 1		SRV530-711	
2	Log 2		SRV446-702	
3	Log 3		SRV446-703	
4	Log 4		SRV446-705	
5	Blower		GFK-160A	
6	Rheostat		SRV100-510A	Y
7	Rheostat Knob		SRV100-512	Y
8	Piezo Ignitor		291-513	Y
9	Pilot Control Knob	No longer available	571-530	
10	Flame Control Knob	No longer available	571-531	
11	Burner	No longer available	438-131A	
12	Log Grate	No longer available	438-361A	
13	Base Refractory	No longer available	SRV438-737	
14	Glass Door Assembly	No longer available	GLA-ATSC	
15	Decorative Front	No longer available	DF-ATS	



No one builds a better fire

Beginning Manufacturing Date: Oct 1998  
Ending Manufacturing Date: May 1999

IMPORTANT: THIS IS DATED INFORMATION. Parts must be ordered from a dealer or distributor. **Hearth and Home Technologies does not sell directly to consumers.** Provide model number and serial number when requesting service parts from your dealer or distributor.



**Stocked  
at Depot**

ITEM	DESCRIPTION	COMMENTS	PART NUMBER	
	Burner Orifice LP (#52A)	No longer available	057-801	
	Burner Orifice NG (#37A)	No longer available	079-830	
	Burner Tube		477-301A	Y
	Flex Ball Valve Assembly		SRV302-320	Y
	Junction Box	No longer available	040-250A	
	Mineral Wool		050-721	
	On /Off, Switch		SRV32D0232	Y
	On/Off Wire Assembly	No longer available	436-509A	
	Pilot Assembly NG		4021-736	Y
	Pilot Assembly LP		4021-737	Y
	Pilot Tube		SRV485-301	Y
	Thermocouple		446-511	Y
	Thermopile		2103-512	Y
	Remote		SMART-STAT-HHT	
	Rotary On/Off Switch Assembly		436-525A	Y
	Temp Sensor		046-530	Y
	Touch up Paint		TUPB-12	
	Valve NG		060-522	Y
	Valve LP		060-523	Y
	Conversion Kit NG	No longer available	NGK-ATS	
	Conversion Kit LP	No longer available	LPK-ATS	
	Regulator NG		SRV060-518	Y
	Regulator LP		060-519	Y
	Pilot Orifice NG		SRV446-505	Y
	Pilot Orifice LP		SRV446-517	Y