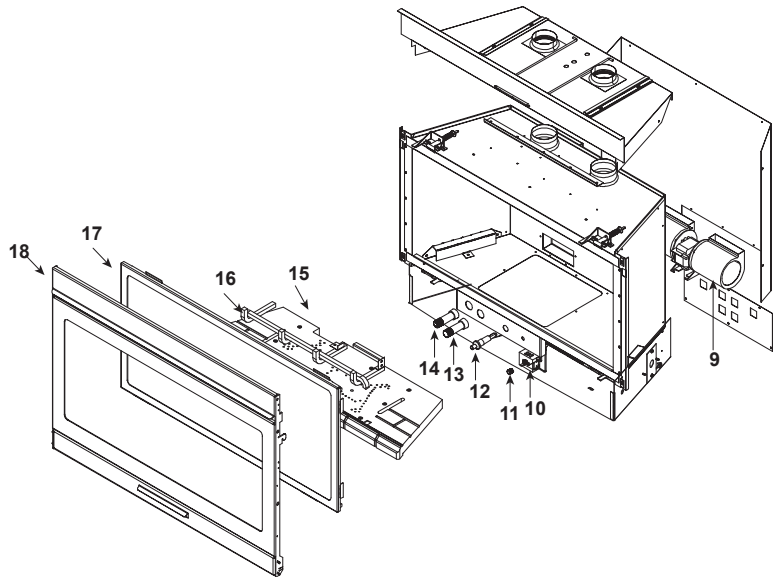
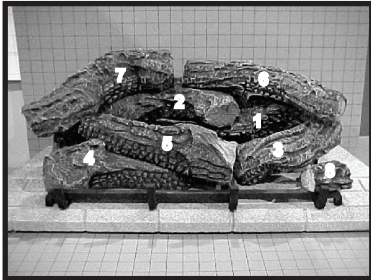


Log Set Assembly



IMPORTANT: THIS IS DATED INFORMATION. Parts must be ordered from a dealer or distributor. **Hearth and Home Technologies does not sell directly to consumers.** Provide model number and serial number when requesting service parts from your dealer or distributor.

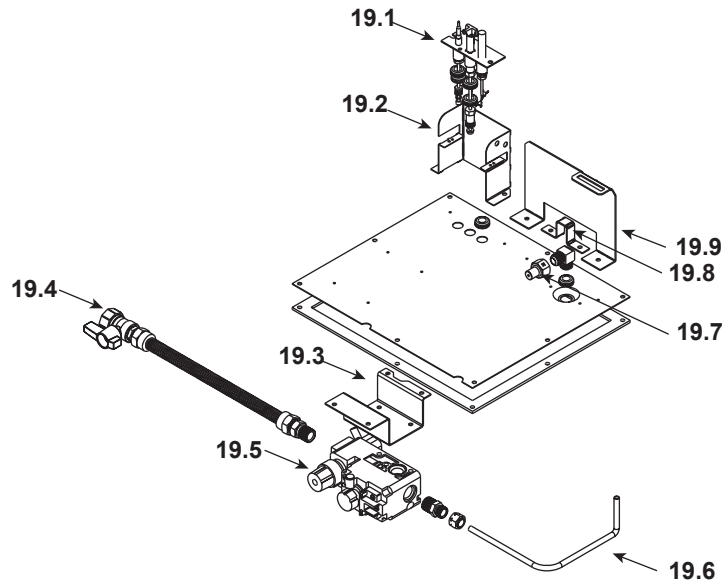


Stocked
at Depot

ITEM	DESCRIPTION	COMMENTS	PART NUMBER	
	Log Set Assembly		LOGS-ATGD	Y
1	Log 1	No longer available, Must order complete assembly	SRV571-701	
2	Log 2		SRV571-702	
3	Log 3		SRV571-703	
4	Log 4		SRV571-704	
5	Log 5		SRV571-705	
6	Log 6		SRV571-706	
7	Log 7		SRV571-707	
8	Log 8		SRV285-728	
9	Blower		GFK-160A	
10	Rheostat		SRV100-510A	Y
11	Rheostat Knob		SRV100-512	Y
12	Piezo Ignitor		291-513	Y
13	Flame Control Knob	No longer available	571-531	
14	Pilot Control Knob	No longer available	571-530	
15	Burner Assembly NG		571-710A	
	Burner Assembly LP		571-711A	
16	Log Grate	No longer available	571-361A	
17	Glass Door Assembly	No longer available	GLA-ATG-C	
18	Decorative Front	No longer available	DF-ATG-C	
	Junction Box	No longer available	040-250A	
	Mineral Wool		050-721	
	Remote		SMART-STAT-HHT	
	Touch up Paint		TUP-GBK-12	

Additional service part numbers on following page.

#19 Valve Assembly



IMPORTANT: THIS IS DATED INFORMATION. Parts must be ordered from a dealer or distributor. **Hearth and Home Technologies does not sell directly to consumers.** Provide model number and serial number when requesting service parts from your dealer or distributor.



**Stocked
at Depot**

ITEM	DESCRIPTION	COMMENTS	PART NUMBER	
19.1	Pilot Assembly NG		4021-736	Y
	Pilot Assembly LP		4021-737	Y
	Pilot Tube		SRV485-301	Y
	Thermocouple		446-511	Y
	Thermopile		2103-512	Y
19.2	Pilot Bracket	No longer available	438-164	
19.3	Valve Bracket	No longer available	571-152	
19.4	Flex Ball Valve Assembly		SRV302-320	Y
19.5	Valve NG		060-522	Y
	Valve LP		060-523	Y
19.6	Burner Tube		477-301A	Y
19.7	Burner Orifice NG (#32A)		420-800	Y
	Burner Orifice LP (#51A)	No longer available	079-803	
19.8	Orifice Bracket	No longer available	438-222	
19.9	Air Deflector	No longer available	438-121	
	On/Off Rocker Switch		060-521A	Y
	On/Off Wire Assembly	No longer available	436-509A	
	Remote Wire Assembly	No longer available	571-512A	
	Conversion Kit NG	No longer available	NGK-ATGD	
	Conversion Kit LP	No longer available	LPK-ATGD	
	Regulator NG		SRV060-518	Y
	Regulator LP		060-519	Y
	Pilot Orifice NG		SRV446-505	Y
	Pilot Orifice LP		SRV446-517	Y