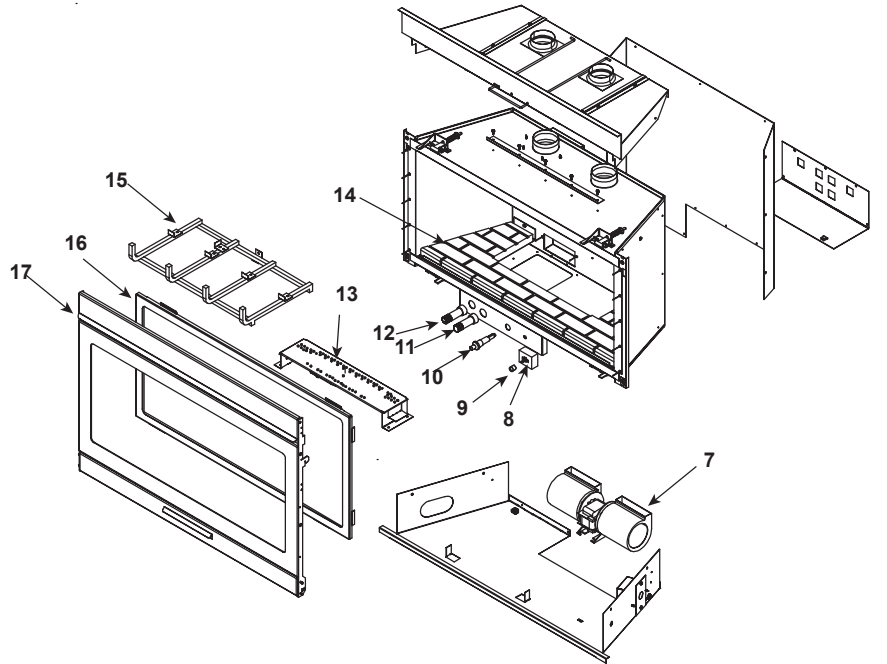
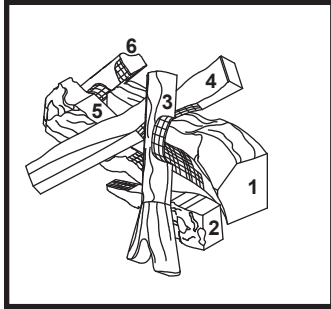


Log Set Assembly



IMPORTANT: THIS IS DATED INFORMATION. Parts must be ordered from a dealer or distributor. **Hearth and Home Technologies does not sell directly to consumers.** Provide model number and serial number when requesting service parts from your dealer or distributor.



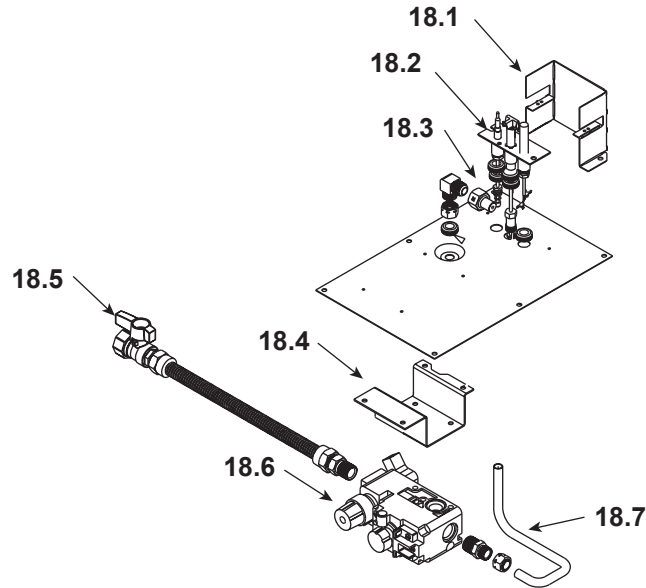
**Stocked
at Depot**

ITEM	DESCRIPTION	COMMENTS	PART NUMBER	
	Log Set Assembly		LOGS-ATG	Y
1	Log 1		SRV530-711	
2	Log 2		SRV446-702	
3	Log 3		SRV446-705	
4	Log 4		SRV446-704	
5	Log 5		SRV446-703	
6	Log 6		SRV446-706	
7	Blower		GFK-160A	
8	Rheostat		SRV100-510A	Y
9	Rheostat Knob		SRV100-512	Y
10	Piezo Ignitor		291-513	Y
11	Flame Control Knob	No longer available	571-531	
12	Pilot Control Knob	No longer available	571-530	
13	Burner	No longer available	571-131A	
14	Base Refractory	No longer available	SRV459-337	
15	Log Grate	No longer available	571-360A	
16	Glass Door Assembly	No longer available	GLA-ATG-C	
17	Decorative Front	No longer available	DF-ATG-C	
	Junction Box	No longer available	040-250A	
	Mineral Wool		050-721	
	Remote		SMART-STAT-HHT	
	Touch up Paint		TUPB-12	

No one builds a better fire

Beginning Manufacturing Date: May 1999
Ending Manufacturing Date: April 2000

#18 Valve Assembly



IMPORTANT: THIS IS DATED INFORMATION. Parts must be ordered from a dealer or distributor. **Hearth and Home Technologies does not sell directly to consumers.** Provide model number and serial number when requesting service parts from your dealer or distributor.



**Stocked
at Depot**

ITEM	DESCRIPTION	COMMENTS	PART NUMBER	
18.1	Pilot Bracket	No longer available	571-164	
18.2	Pilot Assembly NG		4021-736	Y
	Pilot Assembly LP		4021-737	Y
	Thermocouple		446-511	Y
	Thermopile		2103-512	Y
	Pilot Tube		SRV485-301	Y
18.3	Burner Orifice NG (#32A)		420-800	Y
	Burner Orifice LP (#51A)	No longer available	079-803	
18.4	Valve Bracket	No longer available	571-152	
18.5	Flex Ball Valve Assembly		SRV302-320	Y
18.6	Valve NG		060-522	Y
	Valve LP		060-523	Y
18.7	Burner Tube		477-301A	Y
	On/Off Rocker Switch		060-521A	Y
	On/Off Wire Assembly	No longer available	436-509A	
	Remote Wire Assembly	No longer available	571-512A	
	Temp Sensor		046-530	Y
	Conversion Kit NG	No longer available	NGK-ATG	
	Conversion Kit LP	No longer available	LPK-ATG	
	Regulator NG		SRV060-518	Y
	Regulator LP		060-519	Y
	Pilot Orifice NG		SRV446-505	Y
	Pilot Orifice LP		SRV446-517	Y