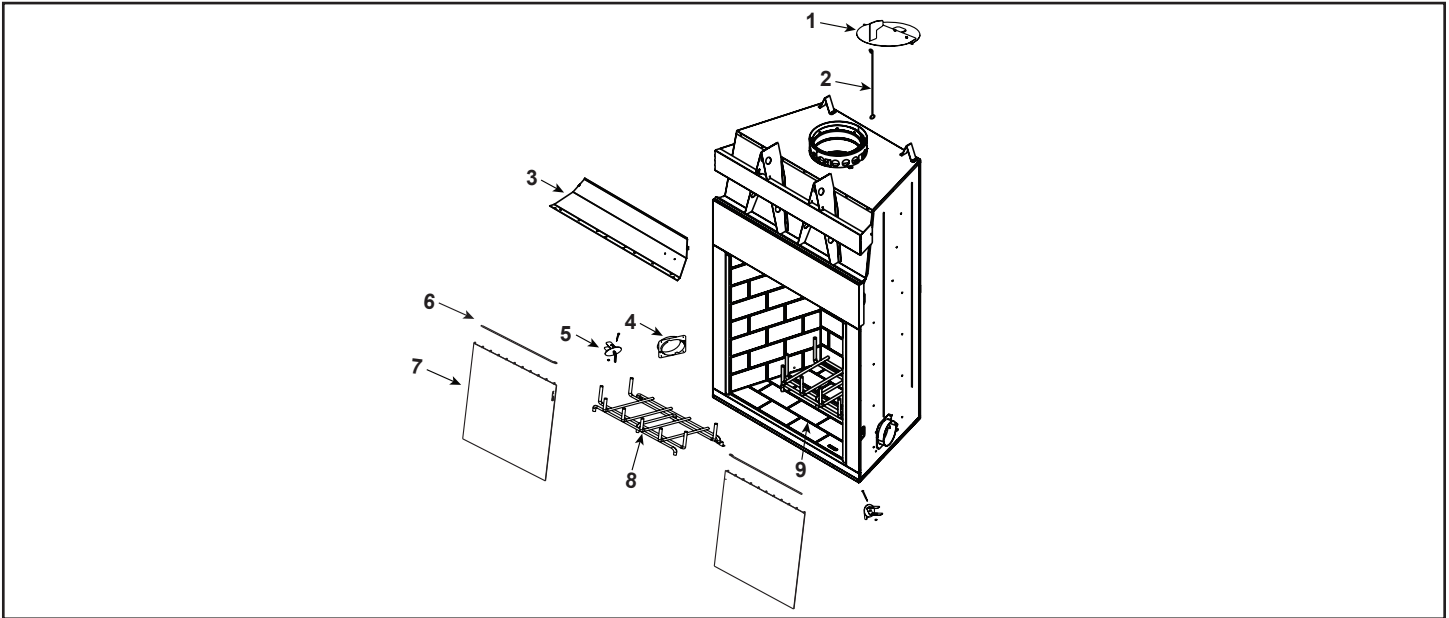




Service Parts

ASH50-B

Ashland 50" Woodburning Fireplace Beginning Manufacturing Date: Oct 2025
Ending Manufacturing Date: Active

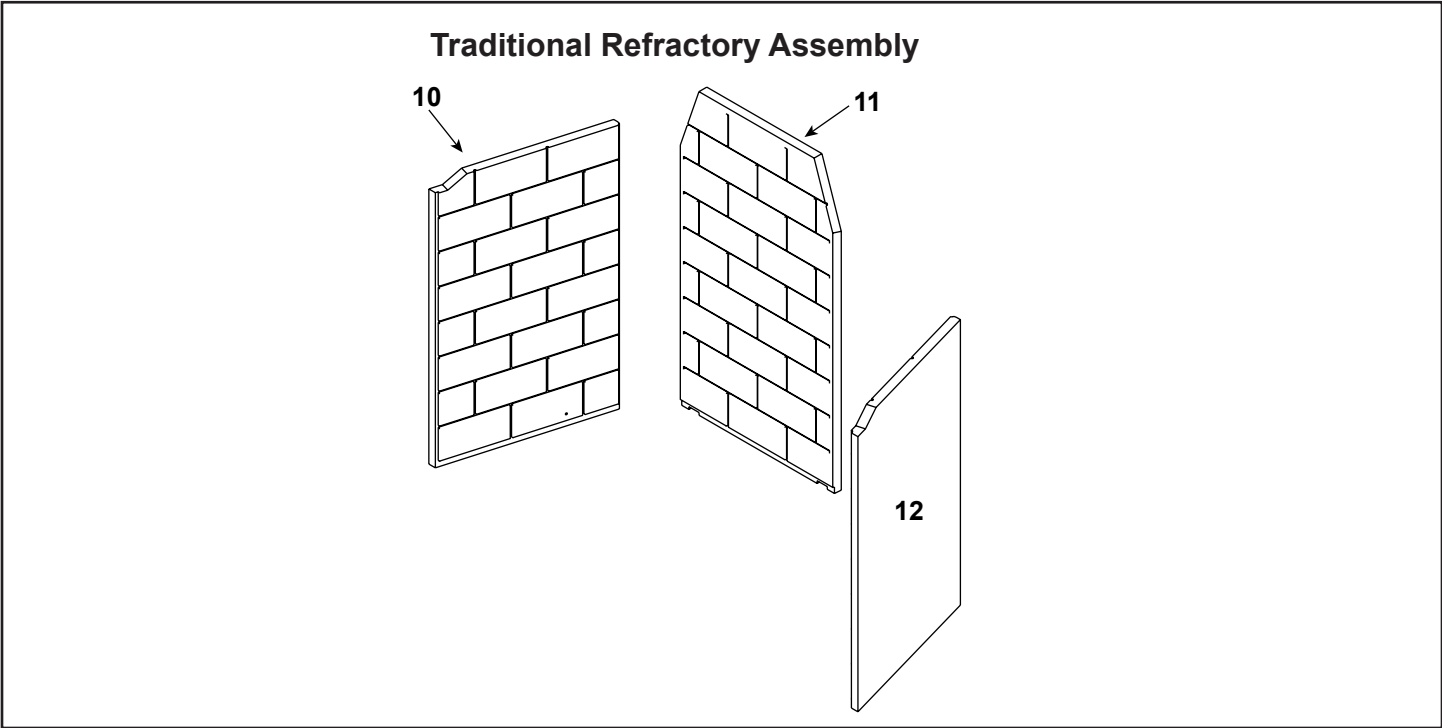


IMPORTANT: THIS IS DATED INFORMATION. Parts must be ordered from a dealer or distributor. **Hearth and Home Technologies does not sell directly to consumers.** Provide model number and serial number when requesting service parts from your dealer or distributor.

Stocked at Depot

ITEM	DESCRIPTION	COMMENTS	PART NUMBER	Stocked at Depot
1	Damper Blade Assembly		SRV4059-030	
2	Damper Control		SRV35159	
3	Smoke Shield		SRV4059-217	
4	Outside Air Collar Assembly	Qty 2 req	SRV4059-037	Y
5	OA Door	Qty 2 req	SRV4059-049	
6	Screen Rod	Qty 2 req	SRV4059-313	Y
	Screen Rod Clips	Qty 2 req	SRV4059-111	Y
7	Firescreen Assembly	Qty 2 req	SRV4059-029	Y
8	Grate Assembly		GR39	
9	Hearth Refractory	Natural Gray	SRV4059-382	
		Antler Velvet	SRV4059-382AV	
		Black Onyx	SRV4059-382BK	
		Masonry Brown	SRV4059-382BR	
	Grate Retainer		SRV4017-060	
	Insect Guard Screening		14DCA-SCRN	
	Mortar	10 LB Bucket	MMMORTR	
	Spacing Clips, 1/2 in.	Pkg of 30	14DCA-SPCRM	
	Strip Protector	Qty 3 req	SRV18320	
	Outside Air Hood	Qty 2 req	SRV4059-271	
	Starter Collar		4059-237	
	Manuals	Installation	4059-970	
		Owners	4059-971	

Additional service parts on following page



IMPORTANT: THIS IS DATED INFORMATION. Parts must be ordered from a dealer or distributor. **Hearth and Home Technologies does not sell directly to consumers.** Provide model number and serial number when requesting service parts from your dealer or distributor.

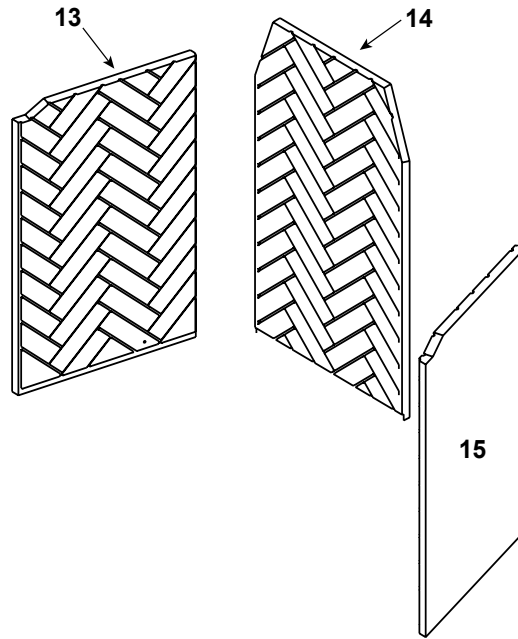
Stocked at Depot

ITEM	DESCRIPTION	COMMENTS	PART NUMBER	
	Traditional Refractory Set	Natural Gray	WDR3850-T-NG	
		Antler Velvet	WDR3850-T-AV	
		Black Onyx	WDR3850-T-BK	
		Masonry Brown	WDR3850-T-BR	
11	Left Panel	Natural Gray	SRV4059-852	
		Antler Velvet	SRV4059-852AV	
		Black Onyx	SRV4059-852BK	
		Masonry Brown	SRV4059-852BR	
12	Back Panel	Natural Gray	SRV4059-863	
		Antler Velvet	SRV4059-863AV	
		Black Onyx	SRV4059-863BK	
		Masonry Brown	SRV4059-863BR	
13	Right Panel	Natural Gray	SRV4059-853	
		Antler Velvet	SRV4059-853AV	
		Black Onyx	SRV4059-853BK	
		Masonry Brown	SRV4059-853BR	
	Refractory Fastener Pack		SRV4059-668	
	Contains: 8 #6 X 1 1/2" Panhead screw, 3/32" Drill Bit, 8 Clips			

Additional service parts on following page



Herringbone Refractory Assembly



IMPORTANT: THIS IS DATED INFORMATION. Parts must be ordered from a dealer or distributor. **Hearth and Home Technologies does not sell directly to consumers.** Provide model number and serial number when requesting service parts from your dealer or distributor.

Stocked at Depot

ITEM	DESCRIPTION	COMMENTS	PART NUMBER	
	Herringbone Refractory Set	Natural Gray	WDR3850-H-NG	
		Antler Velvet	WDR3850-H-AV	
		Black Onyx	WDR3850-H-BK	
		Masonry Brown	WDR3850-H-BR	
14	Left Panel	Natural Gray	SRV4059-856	
		Antler Velvet	SRV4059-856AV	
		Black Onyx	SRV4059-856BK	
		Masonry Brown	SRV4059-856BR	
15	Back Panel	Natural Gray	SRV4059-865	
		Antler Velvet	SRV4059-865AV	
		Black Onyx	SRV4059-865BK	
		Masonry Brown	SRV4059-865BR	
16	Right Panel	Natural Gray	SRV4059-857	
		Antler Velvet	SRV4059-857AV	
		Black Onyx	SRV4059-857BK	
		Masonry Brown	SRV4059-857BR	
	Refractory Fastener Pack		SRV4059-668	
	Contains: 8 #6 X 1 1/2" Panhead screw, 3/32" Drill Bit, 8 Clips			