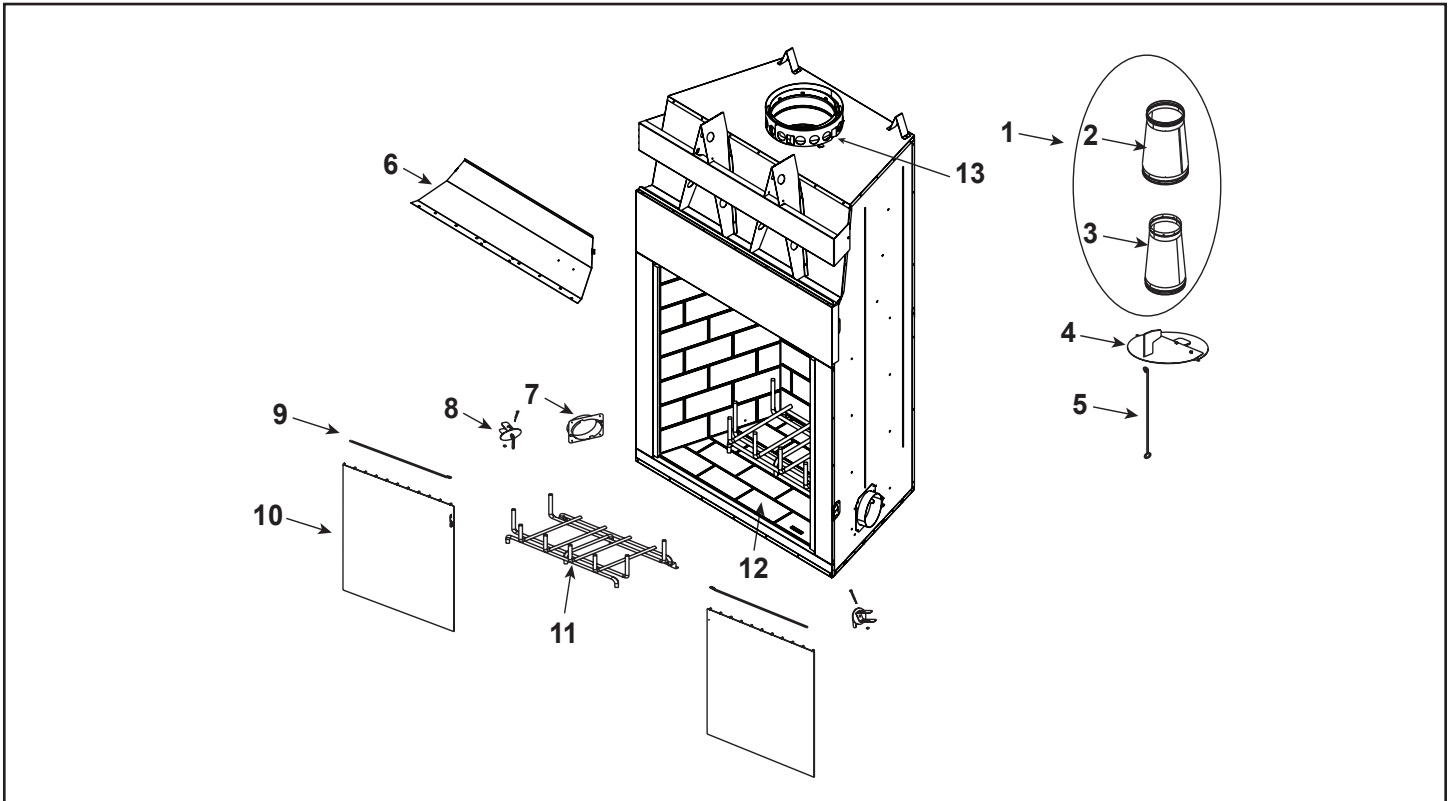




Service Parts

ASH42-B

Ashland 42" Woodburning Fireplace Beginning Manufacturing Date: Oct 2025
Ending Manufacturing Date: Active



IMPORTANT: THIS IS DATED INFORMATION. Parts must be ordered from a dealer or distributor. **Hearth and Home Technologies does not sell directly to consumers.** Provide model number and serial number when requesting service parts from your dealer or distributor.

Stocked at Depot

| ITEM | DESCRIPTION | COMMENTS | PART NUMBER | |
|------|-----------------------------|---------------|---------------|---|
| 1 | Transition Assembly | | SRV4059-044 | |
| 2 | Outer Transition Assembly | | SRV24377 | |
| 3 | Inner Transition Collar | | SRV4059-148 | |
| 4 | Damper Blade Assembly | | SRV4059-030 | |
| 5 | Damper Control | | SRV35159 | |
| 6 | Smoke Shield | | SRV4059-117 | Y |
| 7 | Outside Air Collar Assembly | Qty 2 req | SRV4059-037 | Y |
| 8 | OA Door | Qty 2 req | SRV4059-049 | |
| 9 | Screen Rod | Qty 2 req | SRV4059-312 | |
| | Screen Rod Clips | Qty 2 req | SRV4059-111 | Y |
| 10 | Firescreen Assembly | Qty 2 req | SRV4059-028 | |
| 11 | Grate Assembly | | GR38 | |
| 12 | Hearth Refractory | Natural Gray | SRV4059-381 | |
| | | Antler Velvet | SRV4059-381AV | |
| | | Black Onyx | SRV4059-381BK | |
| | | Masonry Brown | SRV4059-381BR | |
| 13 | Starter Collar | | SRV4059-137 | |

Additional service parts on following page

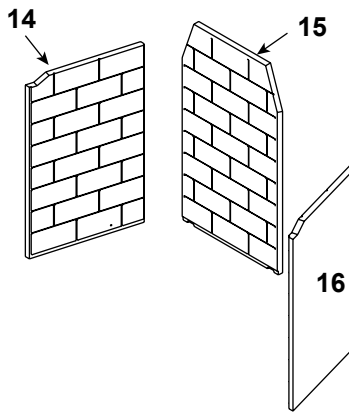


IMPORTANT: THIS IS DATED INFORMATION. Parts must be ordered from a dealer or distributor. **Hearth and Home Technologies does not sell directly to consumers.** Provide model number and serial number when requesting service parts from your dealer or distributor.

Stocked at Depot

| ITEM | DESCRIPTION | COMMENTS | PART NUMBER |
|------|---------------------|--------------|-------------|
| | Grate Retainer | Qty 2 req | SRV4017-060 |
| | Mortar | 10 Lb Bucket | MMMORTR |
| | Outside Air Hood | Qty 2 req | SRV4059-271 |
| | Strip Protector | | SRV18320 |
| | Owners Manual | | 4059-969 |
| | Installation Manual | | 4059-968 |

Traditional Refractory Assembly

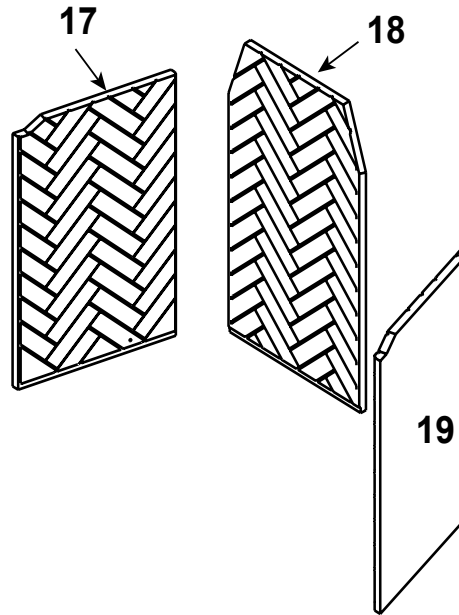


| | | | |
|----|---|---------------|---------------|
| | Traditional Refractory Set | Natural Gray | WDR3842-T-NG |
| | | Antler Velvet | WDR3842-T-AV |
| | | Black Onyx | WDR3842-T-BK |
| | | Masonry Brown | WDR3842-T-BR |
| 14 | Left Panel | Natural Gray | SRV4059-852 |
| | | Antler Velvet | SRV4059-852AV |
| | | Black Onyx | SRV4059-852BK |
| | | Masonry Brown | SRV4059-852BR |
| 15 | Back Panel | Natural Gray | SRV4059-851 |
| | | Antler Velvet | SRV4059-851AV |
| | | Black Onyx | SRV4059-851BK |
| | | Masonry Brown | SRV4059-851BR |
| 16 | Right Panel | Natural Gray | SRV4059-853 |
| | | Antler Velvet | SRV4059-853AV |
| | | Black Onyx | SRV4059-853BK |
| | | Masonry Brown | SRV4059-853BR |
| | Refractory Fastener Pack | | SRV4059-668 |
| | Contains: 8 #6 X 1 1/2" Panhead screw, 3/32" Drill Bit, 8 Clips | | |

Additional service parts on following page



Herringbone Refractory Assembly



IMPORTANT: THIS IS DATED INFORMATION. Parts must be ordered from a dealer or distributor. **Hearth and Home Technologies does not sell directly to consumers.** Provide model number and serial number when requesting service parts from your dealer or distributor.

Stocked at Depot

| ITEM | DESCRIPTION | COMMENTS | PART NUMBER | |
|------|---|---------------|---------------|--|
| | Herringbone Refractory Set | Natural Gray | WDR3842-H-NG | |
| | | Antler Velvet | WDR3842-H-AV | |
| | | Black Onyx | WDR3842-H-BK | |
| | | Masonry Brown | WDR3842-H-BR | |
| 17 | Left Panel | Natural Gray | SRV4059-856 | |
| | | Antler Velvet | SRV4059-856AV | |
| | | Black Onyx | SRV4059-856BK | |
| | | Masonry Brown | SRV4059-856BR | |
| 18 | Back Panel | Natural Gray | SRV4059-855 | |
| | | Antler Velvet | SRV4059-855AV | |
| | | Black Onyx | SRV4059-855BK | |
| | | Masonry Brown | SRV4059-855BR | |
| 19 | Right Panel | Natural Gray | SRV4059-857 | |
| | | Antler Velvet | SRV4059-857AV | |
| | | Black Onyx | SRV4059-857BK | |
| | | Masonry Brown | SRV4059-857BR | |
| | Refractory Fastener Pack | | | |
| | Contains: 8 #6 X 1 1/2" Panhead screw, 3/32" Drill Bit, 8 Clips | | SRV4059-668 | |