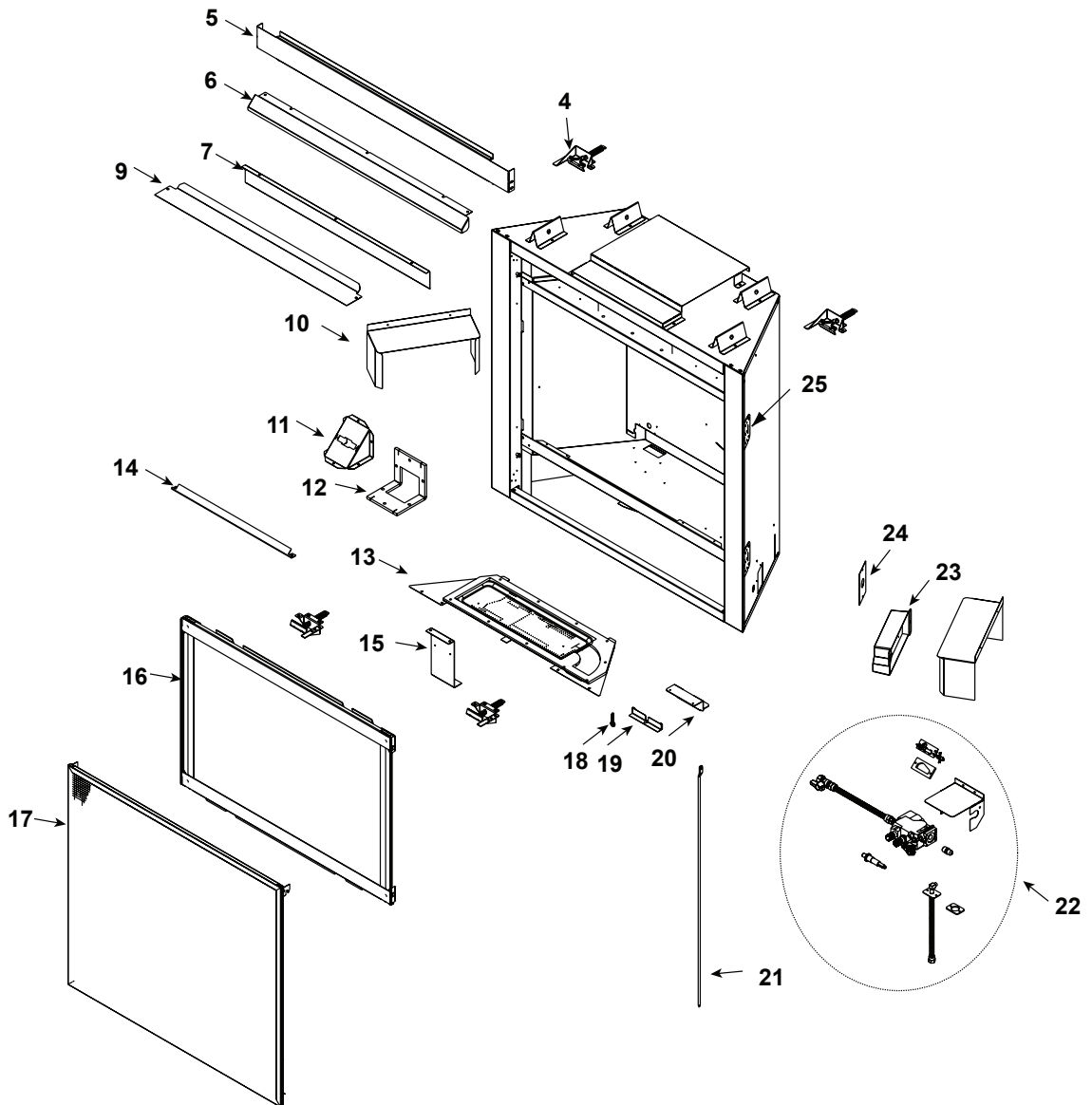
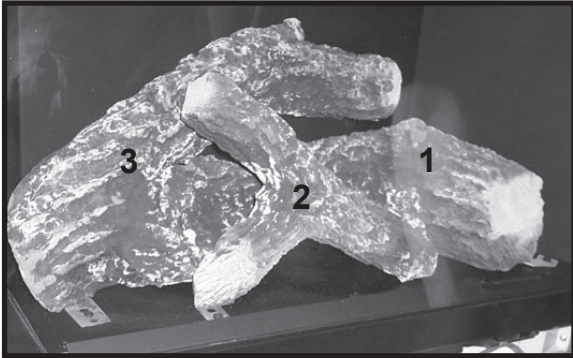


Log Set Assembly



Part number list on following page.

IMPORTANT: THIS IS DATED INFORMATION. Parts must be ordered from a dealer or distributor. **Hearth and Home Technologies does not sell directly to consumers.** Provide model number and serial number when requesting service parts from your dealer or distributor.

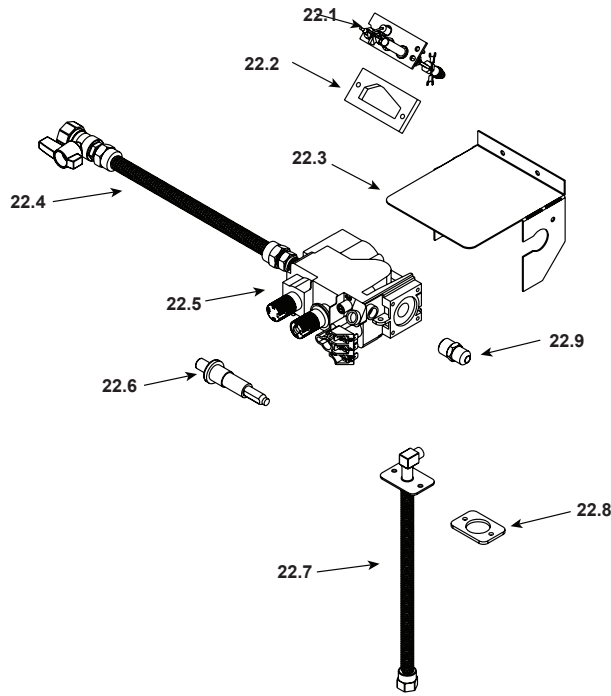


Stocked
at Depot

ITEM	DESCRIPTION	COMMENTS	PART NUMBER	
1	Log 1 (Right log)		SRV4058-024	
2	Log 2 (Front Log)		SRV4058-023	
3	Log 3 Left Log)		SRV4058-022	
4	Glass Latch Assembly	Pkg of 2	33858/2	Y
5	Top Front		4058-123	
6	Hood		4058-190	
7	Glass Shield		4058-108	
9	Floor Cover		4058-191	
10	J-Box Shield	Qty 2 req.	4058-148	
11	Pilot Bracket		4058-127	
12	Pilot Bracket Gasket		4058-194	
13	Burner Assembly NG		4058-020	Y
	Burner Assembly LP		4058-021	Y
14	Front Air Baffle		4058-118	
15	Valve Bracket		4058-125	
16	Glass Frame Assembly		4058-010	Y
17	Screen Face		4058-004	Y
18	Thumb Screw		SRV4021-432	
19	Air Shutter		SRV4049-160	Y
20	Air Shutter Bracket		4049-161	
21	Screen Rod		4058-171	Y
22	Valve Assembly		Refer to valve page	
23	Junction Box		SRV4021-013	Y
24	Cover Plate		SRV4031-222	
25	Nailing Flange	Qty 4 req.	31190	
	Decorative Front, Arch, Operable	No Longer Available	DF-TRES28	
	Decorative Front, No Operabel	No Longer Available	FFDEMI28	
	Refractory, Traditional	No Longer Available	MTB28	
	Remotes		RCT-MLT-HHT	
			SMART-STAT-HHT	
			SMARTBATT-B	
	Rheostat Control		BC10	
	Wall Switch		WSK-MLT	
	Lava Rock Assembly		4042-341	
	Mineral Wool		SRV14333	
	Lava Rock		4021-295	

Additional service part numbers appear on following page.

#22 Valve Assembly



IMPORTANT: THIS IS DATED INFORMATION. Parts must be ordered from a dealer or distributor. **Hearth and Home Technologies does not sell directly to consumers.** Provide model number and serial number when requesting service parts from your dealer or distributor.



**Stocked
at Depot**

ITEM	DESCRIPTION	COMMENTS	PART NUMBER	
22.1	Pilot Assembly NG		2103-010	Y
	Pilot Assembly LP		2103-011	Y
22.2	Gasket, Pilot Assembly		4021-042	
22.3	Valve Bracket	No longer available	4058-192	
22.4	Flex Ball Valve Assembly		SRV302-320	Y
22.5	Valve NG		SRV230-0710	Y
	Valve LP		SRV230-0720	Y
22.6	Piezo Ignitor		291-513	Y
22.7	Bulkhead, Flexible		SRV7000-156	Y
22.8	Gasket, Bulkhead		4021-429	
22.9	Brass Fitting	Pkg of 5	303-315/5	Y
	Orifice NG (#46C)		582-846	Y
	Orifice LP (#56C)		582-856	Y
	Conversion Kit NG		N/A	
	Conversion Kit LP	No longer available	SCKP-AVEO	
	Pilot Orifice NG		SRV593-528	Y
	Pilot Orifice LP		SRV593-527	Y
	Regulator NG	No longer available	NGK-11	
	Regulator LP	No longer available	LPK-11	