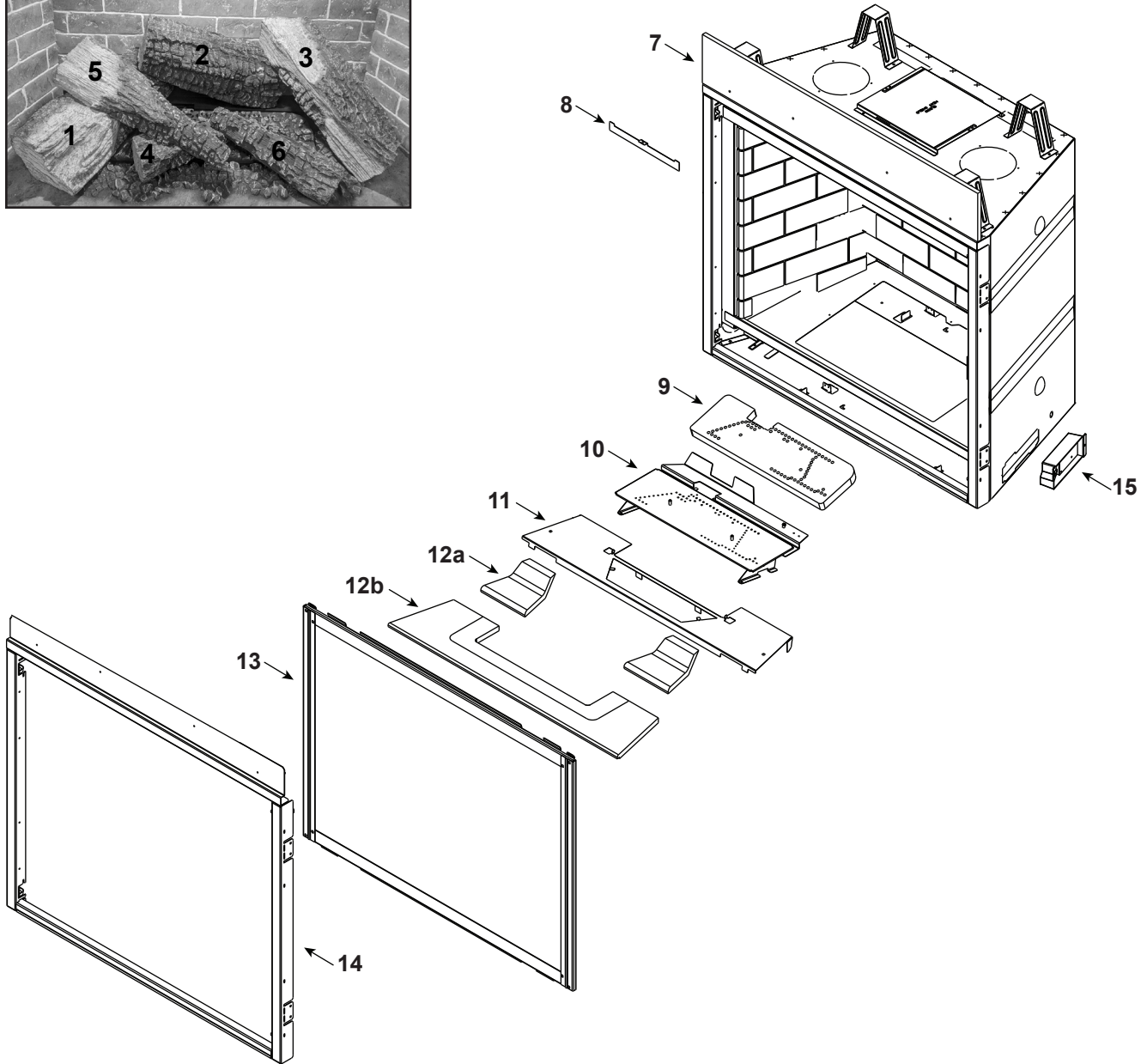
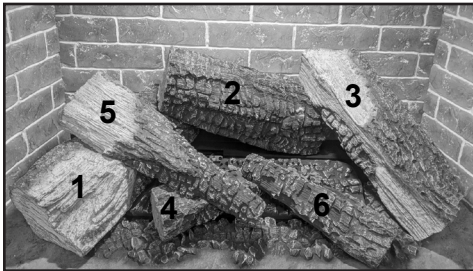


Log Set Assembly

- 8KL-LP-SJ(Serene Jute Propane)(Active)
- 8KL-LP-TG(Tranquil Greige Propane)(Active)
- 8KL-SJ(Serene Jute NG)(Active)
- 8KL-TG(Tranquil Greige NG)(Active)

LOGS-8K Log Set Assembly



Part number list on following page.

No one builds a better fire

Beginning Manufacturing Date: Jun 2023

Ending Manufacturing Date: Active

IMPORTANT: THIS IS DATED INFORMATION. Parts must be ordered from a dealer or distributor. **Hearth and Home Technologies does not sell directly to consumers.** Provide model number and serial number when requesting service parts from your dealer or distributor.



**Stocked
at Depot**

ITEM	DESCRIPTION	COMMENTS	PART NUMBER	
	Log Assembly		LOGS-8K	Y
1	Log #1		SRV2586-700	
2	Log #2		SRV2586-701	
3	Log #3		SRV2586-702	
4	Log #4		SRV2586-703	
5	Log #5		SRV2586-704	
6	Log #6		SRV2582-705	
7	Non-combustible board		2587-137	
8	Curtain, Flue Light		2583-179	
9	Burner Overlay		SRV2583-127	Y
10	Burner Assembly		2583-007	Y
	Pilot Shield	NG Only	2583-234	
11	Basket, Ember Bed		2587-156	
	Brick Kit (Back, Left, Right, Base, & Top)	Calm Umber	BRICK-8KL-CU	
		Serene Jute	BRICK-8KL-SJ	
		Tranquil Greige	BRICK-8KL-TG	
12a	Rear Refractory Base (Qty 2 req)	Calm Umber	SRV2586-077-CU	
		Serene Jute	SRV2586-077-SJ	
		Tranquil Geige	SRV2586-077-TG	
12b	Refractory Base	Calm Umber	SRV2586-076-CU	
		Serene Jute	SRV2586-076-SJ	
		Tranquil Geige	SRV2586-076-TG	
13	Glass Assembly		GLA-8KL	Y
	Finishing Strips	Sold as set only	SRVFS-8K	
14	Surround		SRV2587-019	
	Surround Bottom		SRV2583-193-2	
15	Junction box		SRV2583-009	Y
	Elbow Heat Shield		385-290	
	Flue Restrictor		385-128	
	Gasket Assembly (Vent, seal cap, cover, drawn neck, shutter, valve, & bulkhead)		2583-080	
	Glass Clip Assembly (Top)	Qty 2 req	2155-047	Y
	Glass Clip Assembly (Bottom)	Qty 2 req	2155-045	Y
	Mineral Wool		050-721	
	Seal Cap	Qty 2 req	4031-221	

IMPORTANT: THIS IS DATED INFORMATION. Parts must be ordered from a dealer or distributor. **Hearth and Home Technologies does not sell directly to consumers.** Provide model number and serial number when requesting service parts from your dealer or distributor.



**Stocked
at Depot**

ITEM	DESCRIPTION	COMMENTS	PART NUMBER	
#16 Valve Assembly				
16.1	Pilot Assembly	NG	2106-169	Y
		Propane	2106-170	Y
	Pilot Tube		SRV485-301	Y
16.2	3-Hole Grommet		SRV2118-420	
16.3	Bulkhead W/Flex tube		SRV7000-156	Y
16.4	Flex Ball Valve Assembly		SRV303-330	Y
16.5	Valve	NG	SRV2166-302	Y
		Propane	2166-303	Y
16.6	Male Connector	Pkg of 5	303-315/5	Y
16.7	Battery Holder**		SRV2326-142	Y
16.8	Component Tray Assembly		See following page	
16.9	Shutter Assembly		2583-011	
16.10	LED Wire		2589-160	Y
16.11	REB Accent Light		2583-236	Y
16.12	Kapton, Accent	Qty 2 req	2583-170	
16.13	Glass, Accent	Qty 2 req	2583-172	
	Orifice, NG (#31C)		SRV582-831	Y
	Orifice, Propane (#49C)		SRV582-849	Y

**Fuse for battery pack can be sourced locally, not a warranty item. Specs are 250v, 3A fuse, 3/4" long

Additional service part numbers on following page.

IMPORTANT: THIS IS DATED INFORMATION. Parts must be ordered from a dealer or distributor. **Hearth and Home Technologies does not sell directly to consumers.** Provide model number and serial number when requesting service parts from your dealer or distributor.



Stocked at Depot

ITEM	DESCRIPTION	COMMENTS	PART NUMBER	
#16.8 Component Tray				
16.8a	Module, IFT Control		SRV2326-130	Y
16.8b	Module, RF FCC		SRV2326-120	Y
16.8c	Harness, IFT 6 Pin Wiring		SRV2583-063	Y
16.8d	Component Tray		2279-185	
16.8e	LED Controller		2166-336	Y
16.8f	Module, B Type AC		SRV2326-150	Y
16.8g	Cable, B Type AC Module		SRV2326-152	Y
16.8h	Transformer, 6 Volt Wall		SRV2326-131	Y
	RC400 Remote		SRV2326-110	Y
	Touch Up Paint		TUP-GBK-12	
Conversion Kits				
	Conversion Kit NG		NGK-MID	Y
	Conversion Kit Propane		LPK-MID	Y
	Pilot Orifice, NG		SRV593-528	Y
	Pilot Orifice, Propane		SRV593-527	Y
	Regulator, NG		NGK-DXV-50	Y
	Regulator, Propane		SRVLPK-DXV-50	Y