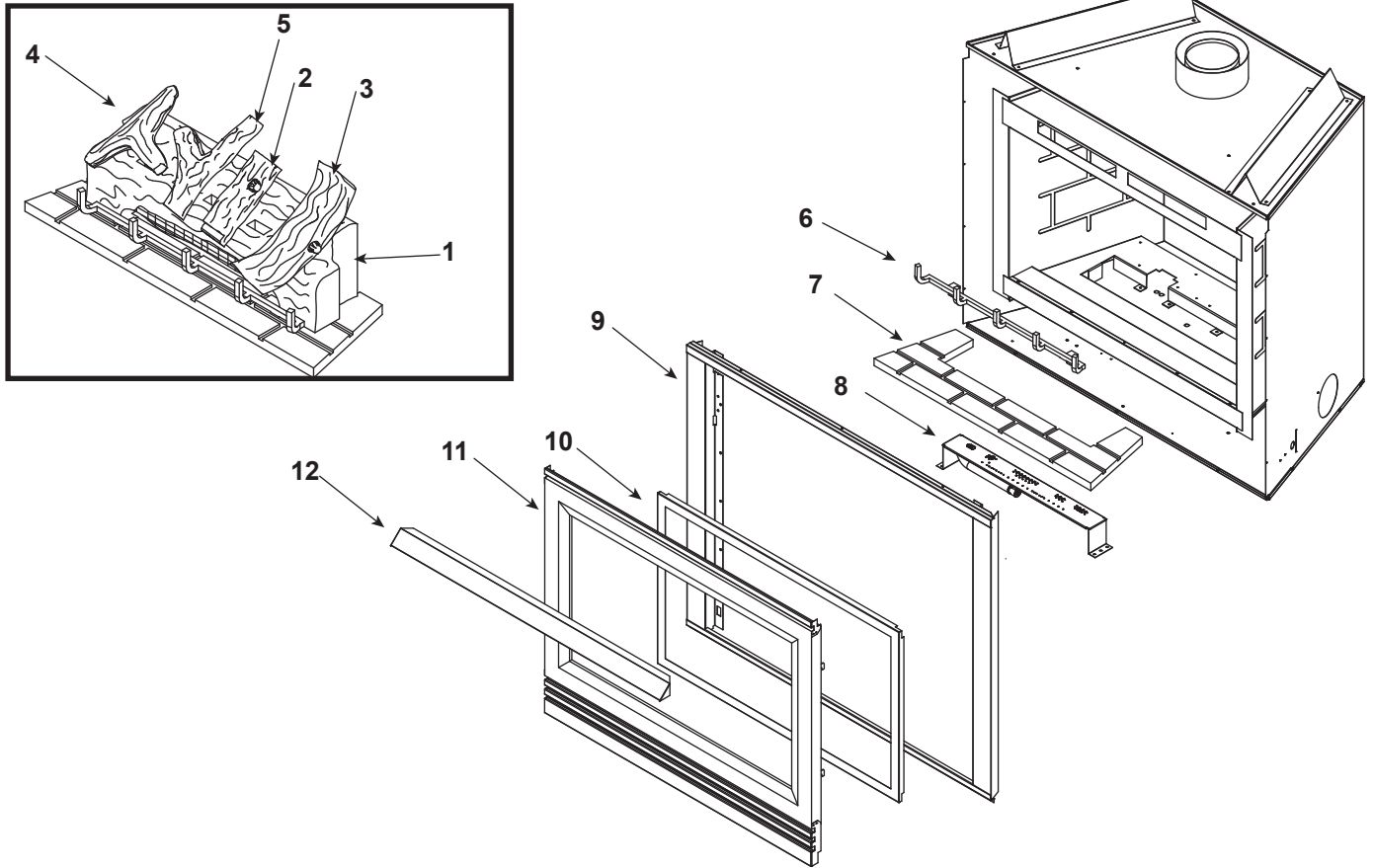


Log Set Assembly



IMPORTANT: THIS IS DATED INFORMATION. Parts must be ordered from a dealer or distributor. **Hearth and Home Technologies does not sell directly to consumers.** Provide model number and serial number when requesting service parts from your dealer or distributor.



Stocked at Depot

ITEM	DESCRIPTION	COMMENTS	PART NUMBER	
	Log Set Assembly	No longer available	LOGS-8FL	
1	Log 1	No longer available	SRV410-720	
2	Log 2	No longer available	SRV94-723	
3	Log 3	No longer available	SRV94-726	
4	Log 4	No longer available	SRV98-724	
5	Log 5	No longer available	SRV98-703	
6	Grate Assembly	No longer available	410-360A	
7	Base Refractory	No longer available	SRV410-337	
8	Burner NG	No longer available	410-326A	
8	Burner LP	No longer available	410-325A	
9	Surround	No longer available	SRV410-122A	
10	Glass Door Assembly		GLA-8FL	Y
11	Decorative Front	No longer available	DF-42H	
12	Hood	No longer available	SRV65-143-BK	



Service Parts

8000TVFL , 8000TVFL-DSI

No one builds a better fire

Beginning Manufacturing Date: Aug 1996
Ending Manufacturing Date: May 1999

IMPORTANT: THIS IS DATED INFORMATION. Parts must be ordered from a dealer or distributor. **Hearth and Home Technologies does not sell directly to consumers.** Provide model number and serial number when requesting service parts from your dealer or distributor.



**Stocked
at Depot**

ITEM	DESCRIPTION	COMMENTS	PART NUMBER	
	Fan Kit		GFK-160A	
	Piezo Ignitor		291-513	Y
	Mineral Wool		050-721	
	On/Off Rocker Switch		060-521A	
	Orifice NG (#34A)	No longer available	067-800	
	Orifice LP (#51A)	No longer available	079-803	Y
	Remote		SMART-STAT-HHT	
	Touch Up Paint		TUPB-12	
	Valve Bracket	No longer available	073-145	
Standing Pilot				
	Junction Box		100-250A	Y
	Flex Ball Valve Assembly		SRV302-320	Y
	High Temp Limit Switch		SRV4021-383	Y
	Pilot Assembly NG		446-512A	Y
	Pilot Assembly LP		446-513A	Y
	Thermopile		2103-512	Y
	Pilot Tube		SRV446-301	Y
	Valve NG		040-500	Y
	Valve LP		040-501	Y
	Conversion Kit NG	No longer available	NGK-8FL	
	Conversion Kit LP	No longer available	LPK-8FL	
	Pilot Orifice NG		SRV446-505	Y
	Pilot Orifice LP		SRV446-517	Y
	Regulator NG		SRV060-518	Y
	Regulator LP		060-519	Y
DSI Components				
	Junction Box	No longer available	100-254A	
Fenwall System Only				
	Ignitor	No longer available	416-591	
	Module	No longer available	398-592	
	Transformer	No longer available	060-599	
	Valve NG	No longer available	SRV462-500	
	Valve LP	No longer available	SRV462-501	
Ram System Only				
	Ignitor		501-591	Y
	Junction Box	No longer available	100-254A	
	Module	No longer available	501-592	
	Valve NG		492-500	Y
	Valve LP	No longer available	492-501	