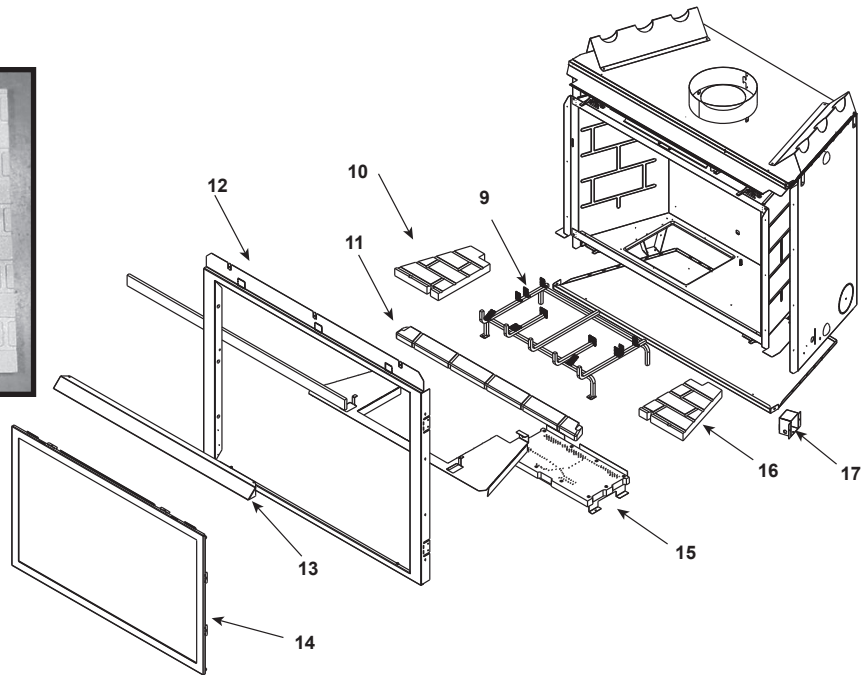
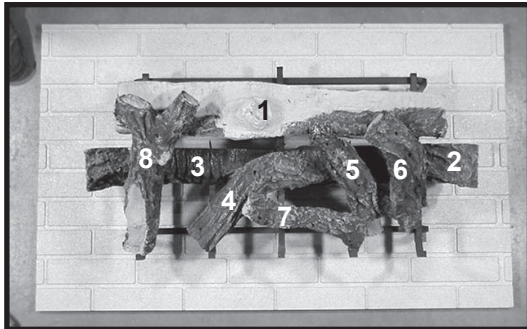


Log Set Assembly



IMPORTANT: THIS IS DATED INFORMATION. Parts must be ordered from a dealer or distributor. **Hearth and Home Technologies does not sell directly to consumers.** Provide model number and serial number when requesting service parts from your dealer or distributor.



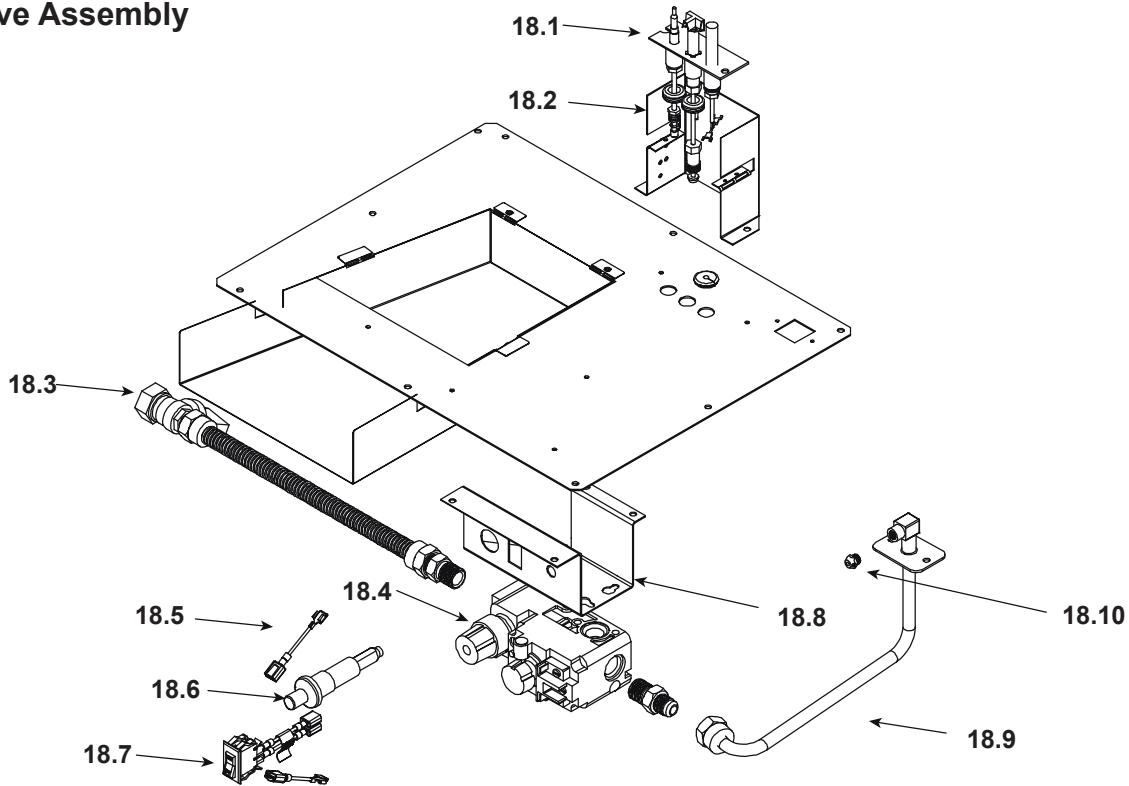
Stocked at Depot

ITEM	DESCRIPTION	COMMENTS	PART NUMBER	
	Log Set Assembly		LOGS-8TRC	Y
1	Log 1	No longer available, Must order complete assembly	SRV582-701	
2	Log 2		SRV582-703	
3	Log 3		SRV582-702	
4	Log 4		SRV582-704	
5	Log 5		SRV402-701	
6	Log 6		SRV582-706	
7	Log 7		SRV582-707	
8	Log 8		SRV582-705	
9	Grate Assembly	No longer available	582-360A	
10	Refractory Left Base	No longer available	SRV582-376-UM	
11	Refractory Base	No longer available	SRV582-370-UM	
12	Surround	No longer available	285-130	
13	Hood		SRV560-175	
14	Glass Door Assembly		GLA-950TR	Y
15	Burner NG		SRV582-378A-UM	
	Burner LP		SRV380-379A-UM	
16	Refractory Right Base	No longer available	SRV582-377-UM	
17	Junction Box	Pre 002324001	100-250A	Y
		Post 002324001	SRV4021-013	Y

No one builds a better fire

Beginning Manufacturing Date: June 2001
Ending Manufacturing Date: Jan 2005

#18 Valve Assembly



IMPORTANT: THIS IS DATED INFORMATION. Parts must be ordered from a dealer or distributor. **Hearth and Home Technologies does not sell directly to consumers.** Provide model number and serial number when requesting service parts from your dealer or distributor.



**Stocked
at Depot**

ITEM	DESCRIPTION	COMMENTS	PART NUMBER	
18.1	Pilot Assembly NG		4021-736	Y
	Pilot Assembly LP		4021-737	Y
	Thermocouple		446-511	Y
	Thermopile		2103-512	Y
18.2	Pilot Bracket	No longer available	530-164	
18.3	Flex Ball Valve Assembly		SRV302-320	Y
18.4	Valve NG		060-522	Y
	Valve LP		060-523	Y
18.5	Wire Assembly	No longer available	049-552A	
18.6	Piezo Ignitor		SRV14D0503	Y
18.7	On/Off Rocker Switch		060-521A	Y
18.8	Valve Bracket	No longer available	550-169	
18.9	Flexible Gas Connector		383-302A	Y
18.10	Orifice NG (#31C)	Pre Aug 2001	SRV582-831	Y
	Orifice NG (#32C)	Post Aug 2001	SRV582-832	Y
	Orifice LP (#49)	Pre Aug 2001	SRV582-849	Y
	Orifice LP (#50)	Post Aug 2001	582-850	Y

