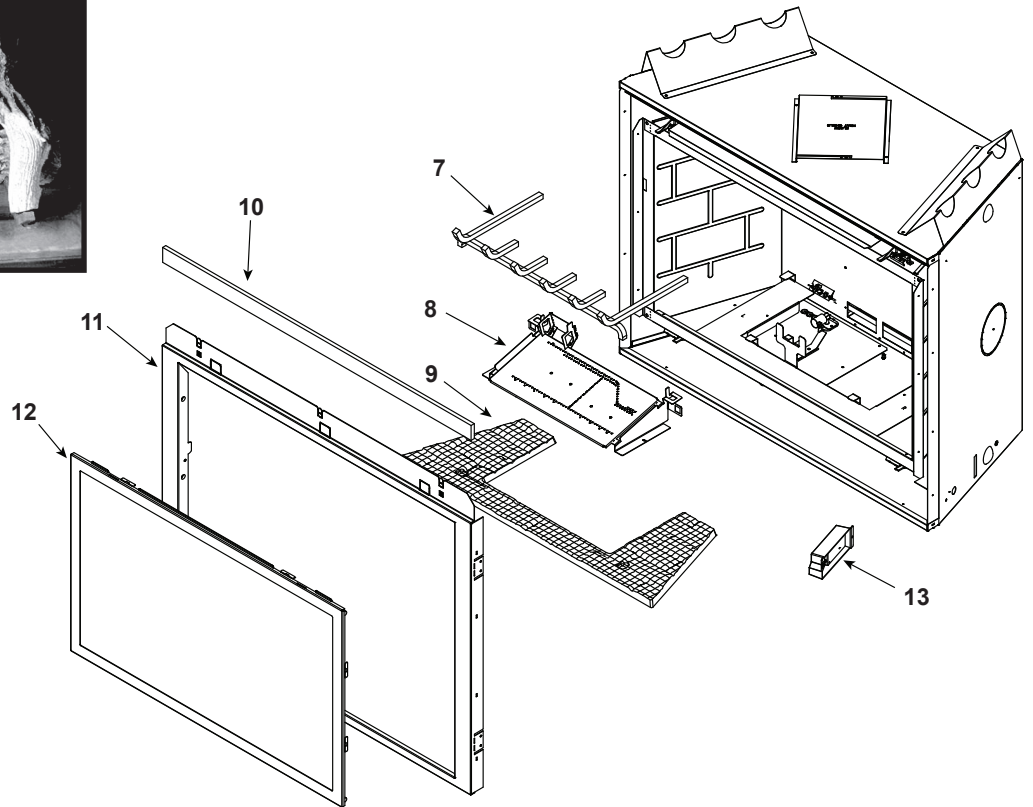
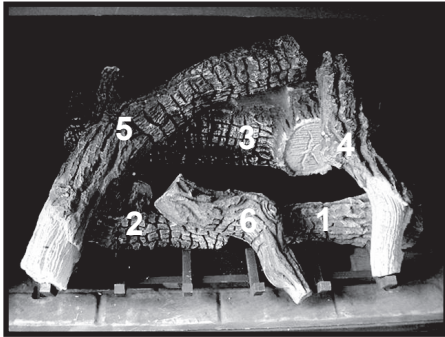


Log Set Assembly



IMPORTANT: THIS IS DATED INFORMATION. Parts must be ordered from a dealer or distributor. **Hearth and Home Technologies does not sell directly to consumers.** Provide model number and serial number when requesting service parts from your dealer or distributor.



Stocked at Depot

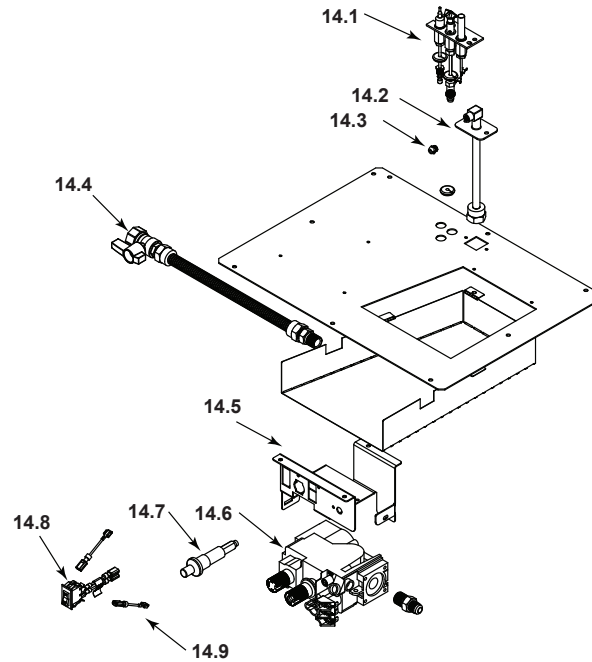
ITEM	DESCRIPTION	COMMENTS	PART NUMBER	
	Log Set Assembly		LOGS-8OAK	Y
1	Log 1	No longer available, Must order complete assembly	SRV2057-720	
2	Log 2		SRV2057-721	
3	Log 3		SRV2057-722	
4	Log 4		SRV2057-723	
5	Log 5		SRV2057-724	
6	Log 6		SRV2057-725	
7	Log Grate	No longer available	2057-008	
8	Burner NG		2058-006	Y
	Burner LP		2057-010	Y
9	Base Refractory	No longer available	SRV2057-123	
10	Insulation Board	No longer available	380-401	
11	Surround	No longer available	380-130	
12	Glass Door Assembly		GLA-950TR	Y
13	Junction Box		SRV4021-013	Y

Additional service part numbers appear on following page

No one builds a better fire

Beginning Manufacturing Date: Feb 2005
Ending Manufacturing Date: Sept 2009

#14 Valve Assembly



IMPORTANT: THIS IS DATED INFORMATION. Parts must be ordered from a dealer or distributor. **Hearth and Home Technologies does not sell directly to consumers.** Provide model number and serial number when requesting service parts from your dealer or distributor.



Stocked at Depot

ITEM	DESCRIPTION	COMMENTS	PART NUMBER	
14.1	Pilot Assembly NG	Pre 0021116948	4021-736	Y
		Post 0021116948	2103-010	Y
	Pilot Assembly LP	Pre 0021116948	4021-737	Y
		Post 0021116948	2103-011	Y
	Thermocouple	Pre 0021116948	446-511	Y
		Post 0021116948	2103-511	Y
	Thermopile		2103-512	Y
14.2	Flexible Gas Connector		383-302A	Y
14.3	Burner Orifice NG (#31C)		SRV582-831	Y
	Burner Orifice LP (1.8 mm)		582-818	Y
14.4	Flex Ball Valve Assembly		SRV302-320	Y
14.5	Valve Bracket	No longer available	2025-101	
		Post 0021116948	2118-104	
14.6	Valve NG	Pre 0021116948	060-522	Y
		Post 0021116948	SRV230-0710	Y
	Valve LP	Pre 0021116948	060-523	Y
		Post 0021116948	SRV230-0720	Y
14.7	Piezo Ignitor		SRV14D0503	Y
14.8	ON/OFF Rocker Switch		060-521A	Y
14.9	Wire Assembly	No longer available	049-552A	
	80" Wire Assembly	No longer available	522-503A	

Additional service part numbers appear on following page

