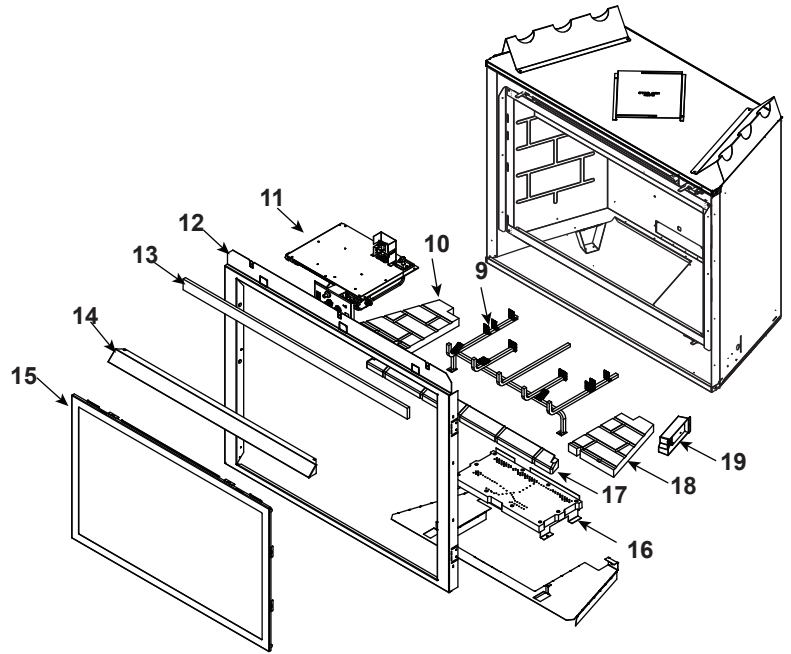
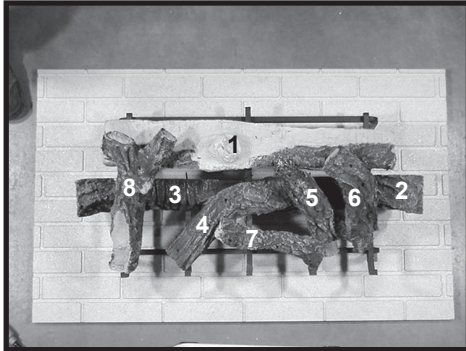


Log Set Assembly



IMPORTANT: THIS IS DATED INFORMATION. Parts must be ordered from a dealer or distributor. **Hearth and Home Technologies does not sell directly to consumers.** Provide model number and serial number when requesting service parts from your dealer or distributor.



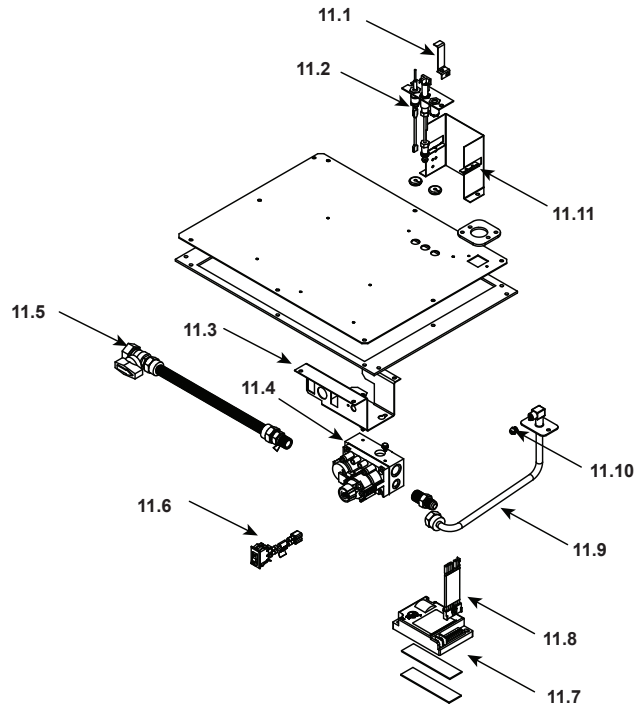
Stocked at Depot

ITEM	DESCRIPTION	COMMENTS	PART NUMBER	
	Log Set / Grate Assembly		LOGS-8TRC	Y
1	Log 1	No longer available, Must order complete assembly	SRV582-701	
2	Log 2		SRV582-703	
3	Log 3		SRV582-702	
4	Log 4		SRV582-704	
5	Log 5		SRV402-701	
6	Log 6		SRV582-706	
7	Log 7		SRV582-707	
8	Log 8		SRV582-705	
9	Grate Assembly	No longer available	582-360A	
10	Refractory Left Base	No longer available	SRV582-376-UM	
11	Valve Assembly		Refer to valve page	
12	Surround	No longer available	380-130	
13	Insulation Board	No longer available	380-401	
14	Hood		SRV560-175	
15	Glass Door Assembly		GLA-950TR	Y
16	Burner NG		SRV582-378A-UM	
	Burner LP		2028-009	Y
17	Refractory Base	No longer available	SRV582-370-UM	
18	Refractory Right Base	No longer available	SRV582-377-UM	
19	Junction Box	Pre 002324001	383-250A	Y
		Post 002324001	SRV4021-013	Y

No one builds a better fire

Beginning Manufacturing Date: Aug 2001
Ending Manufacturing Date: Jan 2005

#11 Valve Assembly



IMPORTANT: THIS IS DATED INFORMATION. Parts must be ordered from a dealer or distributor. **Hearth and Home Technologies does not sell directly to consumers.** Provide model number and serial number when requesting service parts from your dealer or distributor.



Stocked at Depot

ITEM	DESCRIPTION	COMMENTS	PART NUMBER	
11.1	Ground Strap	No longer available	2025-512	
11.2	Pilot Assembly NG	Pre 002324001	SRV4021-730	Y
		Post 002324001	4021-422	Y
	Pilot Assembly LP	Pre 002324001	SRV4021-731	Y
		Post 002324001	4021-423	Y
11.3	Valve Bracket	No longer available	385-169	
		No longer available	2025-101	
11.4	Valve NG		750-500	Y
	Valve LP		750-501	Y
11.5	Flex Ball Valve Assembly		SRV302-320	Y
11.6	On/Off Rocker Switch		060-521A	Y
11.7	Module		SRV593-592	Y
11.8	Module Wire Assembly		SRV593-590	Y
11.9	Flexible Gas Connector	Pre 002209930	477-301A	Y
		Post 002209930	383-302A	Y
11.10	Orifice NG (#31)		SRV582-831	Y
	Orifice LP (#1.8mm)		582-818	Y
11.11	Pilot Bracket	No longer available	530-164	

Additional service part numbers appear on following page.

