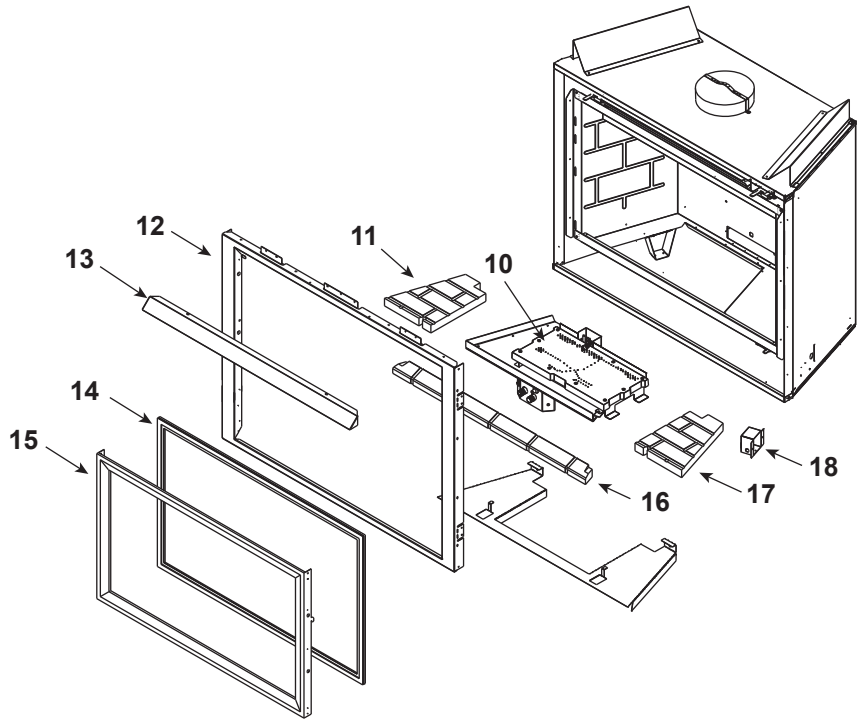
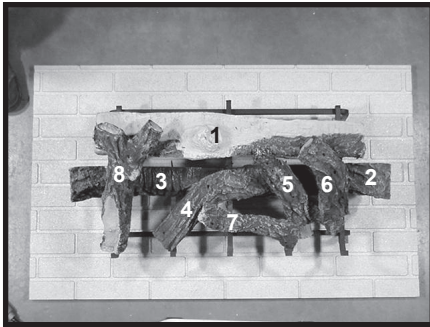


Log Set Assembly



IMPORTANT: THIS IS DATED INFORMATION. Parts must be ordered from a dealer or distributor. **Hearth and Home Technologies does not sell directly to consumers.** Provide model number and serial number when requesting service parts from your dealer or distributor.



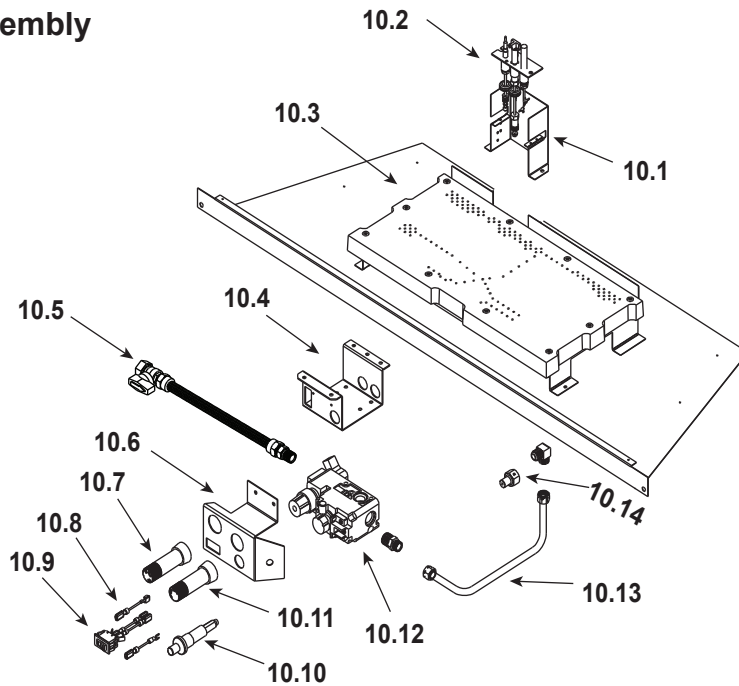
Stocked at Depot

ITEM	DESCRIPTION	COMMENTS	PART NUMBER	
	Log Set Assembly / wGrate		LOGS-8TRC	Y
1	Log 1	No longer available, Must order complete assembly	SRV582-701	
2	Log 2		SRV582-703	
3	Log 3		SRV582-702	
4	Log 4		SRV582-704	
5	Log 5		SRV402-701	
6	Log 6		SRV582-706	
7	Log 7		SRV582-707	
8	Log 8		SRV582-705	
9	Grate Assembly	No longer available	582-360A	
10	Valve/Burner Assembly		Refer to valve page.	
11	Refractory Left Base	No longer available	SRV582-376-UM	
12	Surround	No longer available	258-130	
13	Hood		SRV560-175	
14	Glass Door Assembly		GLA-950TR	Y
15	Decorative Front	No longer available	DF-8-BK	
16	Refractory Base	No longer available	SRV582-370-UM	
17	Refractory Right Base	No longer available	SRV582-377-UM	
18	Junction Box	Standing Pilot	100-250A	Y
		No longer available	100-254A	Y

No one builds a better fire

Beginning Manufacturing Date: June 1999
Ending Manufacturing Date: June 2001

#10 Standing Pilot Valve Assembly



IMPORTANT: THIS IS DATED INFORMATION. Parts must be ordered from a dealer or distributor. **Hearth and Home Technologies does not sell directly to consumers.** Provide model number and serial number when requesting service parts from your dealer or distributor.



**Stocked
at Depot**

ITEM	DESCRIPTION	COMMENTS	PART NUMBER	
10.1	Pilot Bracket	No longer available	530-164	
10.2	Pilot Assembly NG		4021-736	Y
	Pilot Assembly LP		4021-737	Y
	Pilot Tube		SRV485-301	Y
	Thermocouple		446-511	Y
	Thermopile		2103-512	Y
10.3	Burner NG		SRV582-378A-UM	
	Burner LP		SRV582-379A-UM	
10.4	Valve Bracket	No longer available	550-152	
10.5	Flex Ball Valve Assembly		SRV302-320	Y
10.6	Control Panel	No longer available	278-154	
10.7	Pilot Control Knob	No longer available	571-530	
10.8	Wire Assembly	No longer available	049-552A	
10.9	On/Off Rocker Switch		060-521A	Y
10.10	Piezo Ignitor		291-513	Y
10.11	Flame Control Knob	No longer available	571-531	
10.12	Valve NG		060-522	Y
	Valve LP		060-523	Y
10.13	Flex Tube		477-301A	Y
10.14	Orifice NG (#31A)	No longer available	506-800	
	Orifice LP (#49A)	No longer available	065-801	

Additional service parts on following page.



Service Parts

8000TRC, 8000TRC-DSI

No one builds a better fire

Beginning Manufacturing Date: June 1999
Ending Manufacturing Date: June 2001

IMPORTANT: THIS IS DATED INFORMATION. Parts must be ordered from a dealer or distributor. **Hearth and Home Technologies does not sell directly to consumers.** Provide model number and serial number when requesting service parts from your dealer or distributor.



Stocked at Depot

ITEM	DESCRIPTION	COMMENTS	PART NUMBER	
	Exhaust Baffle		530-299	
	Fan Kit		GFK-160A	
	Mineral Wool		050-721	
	Remote		SMART-STAT-HHT	
	Touch Up Paint		TUPB-12	

STANDING PILOT CONVERSION KITS

	Conversion Kit NG	No longer available	NGK-8TRC-UM	
	Conversion Kit LP	No longer available	LPK-8TRC-UM	
	Pilot Orifice NG		SRV446-505	Y
	Pilot Orifice LP		RV446-517	Y
	Regulator NG		SRV060-518	Y
	Regulator LP		060-519	Y

DSI CONVERSION KITS AND COMPONENTS

	Conversion Kit NG	No longer available	NGK-8TRC-DSI-UM	
	Conversion Kit LP	No longer available	LPK-8TRC-DSI-UM	
	Electrode		501-591	Y
	Module	No longer available	501-592	
	Valve NG		492-500	Y
	Valve LP	No longer available	492-501	