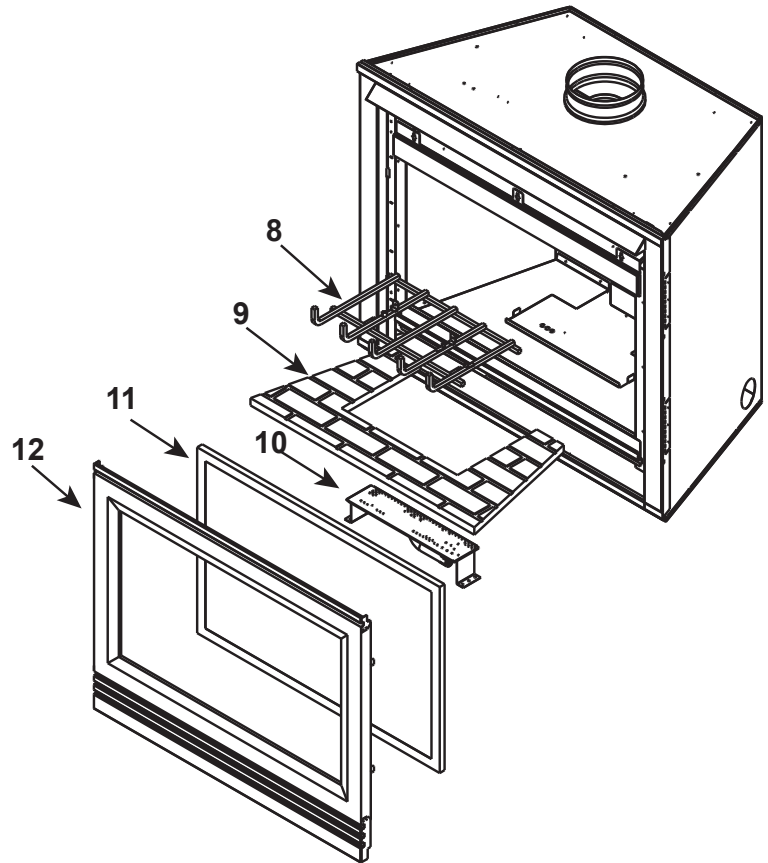
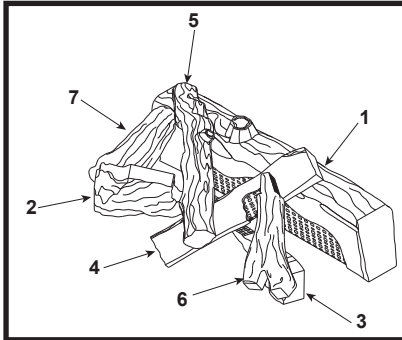


Log Set Assembly



IMPORTANT: THIS IS DATED INFORMATION. Parts must be ordered from a dealer or distributor. **Hearth and Home Technologies does not sell directly to consumers.** Provide model number and serial number when requesting service parts from your dealer or distributor.



Stocked at Depot

ITEM	DESCRIPTION	COMMENTS	PART NUMBER	
	Log Set Assembly		LOGS-8TR	Y
1	Log 1	No longer available, Must order complete assembly	SRV487-701	
2	Log 2		SRV446-703	
3	Log 3		SRV446-702	
4	Log 4		SRV487-703	
5	Log 5		SRV487-702	
6	Log 6		SRV402-701	
7	Log 7		SRV446-714	
8	Grate Assembly	No longer available	487-361A	
9	Refractory	No longer available	SRV487-335	
10	Burner NG	No longer available	487-274A	
	Burner LP	No longer available	487-276A	
11	Glass Door Assembly	No longer available	487-275A	
		No longer available	487-277A	
11	Glass Door Assembly	No longer available	GLA-SL42	
		No longer available	GLA-8TR	
12	Decorative Front	No longer available	DF-42H	



No one builds a better fire

IMPORTANT: THIS IS DATED INFORMATION. Parts must be ordered from a dealer or distributor. **Hearth and Home Technologies does not sell directly to consumers.** Provide model number and serial number when requesting service parts from your dealer or distributor.



Stocked at Depot

ITEM	DESCRIPTION	COMMENTS	PART NUMBER	
	Fan Kit		GFK-160A	
	Hood	No longer available	SRV65-143-BK	
	Mineral Wool		050-721	
	Orifice NG (#32A)		420-800	Y
	Orifice LP (#50A)		446-801	Y
	Remote		SMART-STAT-HHT	
	Touch Up Paint		TUPB-12	
Standing Pilot Components				
	Flex Ball Valve Assembly		SRV302-320	Y
	Junction Box		100-250A	Y
	Piezo Ignitor		291-513	Y
	Pilot Assembly NG		446-510A	Y
	Pilot Assembly LP		446-511A	Y
	Thermocouple		446-511	Y
	Thermopile		2103-512	Y
	Valve NG		060-522	Y
	Valve LP		060-523	Y
	Conversion Kit NG	No longer available	NGK-8TR	
	Conversion Kit LP	No longer available	LPK-8TR	
	Pilot Orifice NG		SRV446-505	Y
	Pilot Orifice LP		SRV446-517	Y
	Regulator NG		SRV060-518	Y
	Regulator LP		060-519	Y
DSI Components				
	51 in. Wire Assembly	No longer available	065-577A	
	53 in. Wire Assembly	No longer available	073-554A	
	High Temp Limit Switch		SRV4021-383	Y
	Junction Box	No longer available	100-254A	
	On/Off, Switch		SRV32D0232	Y
Fenwall System Only				
	Ignitor	No longer available	416-591	
	Module	No longer available	398-592	
	Transformer	No longer available	060-599	
	Valve NG	No longer available	SRV462-500	
	Valve LP	No longer available	SRV462-501	
Ram System Only				
	Ignitor		501-591	
	Module	No longer available	501-592	
	Valve NG		492-500	Y
	Valve LP	No longer available	492-501	