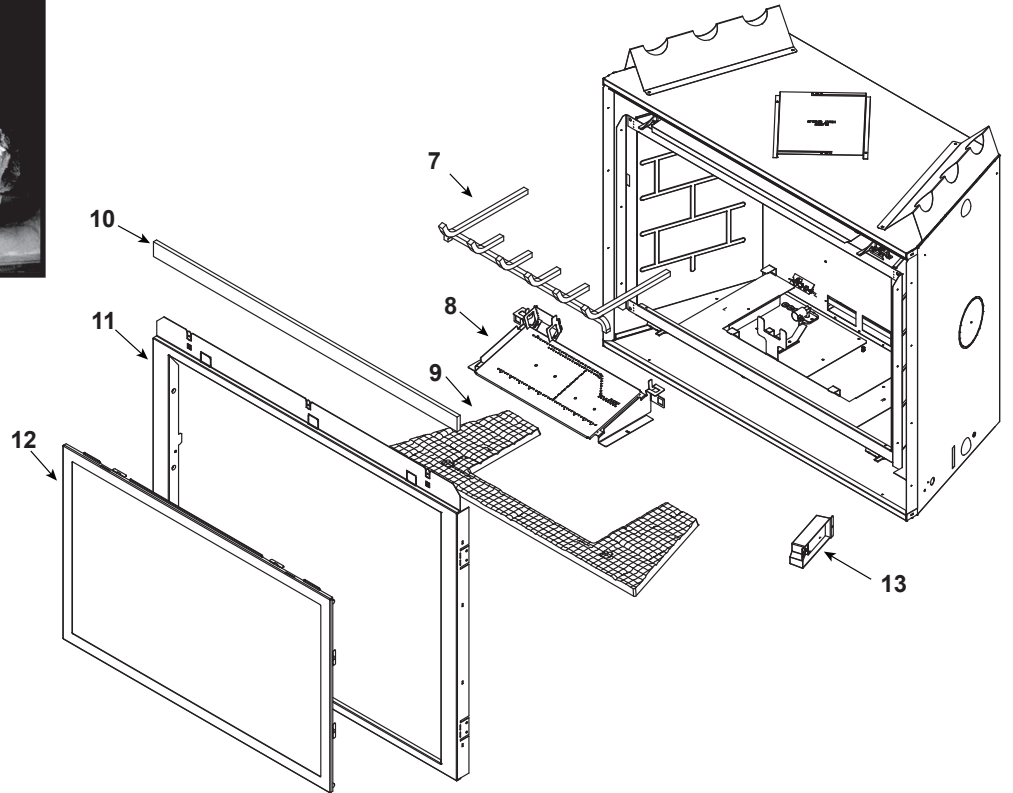
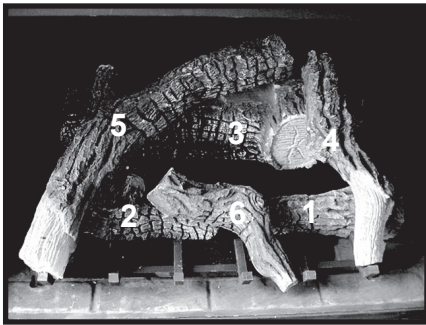


Log Set Assembly



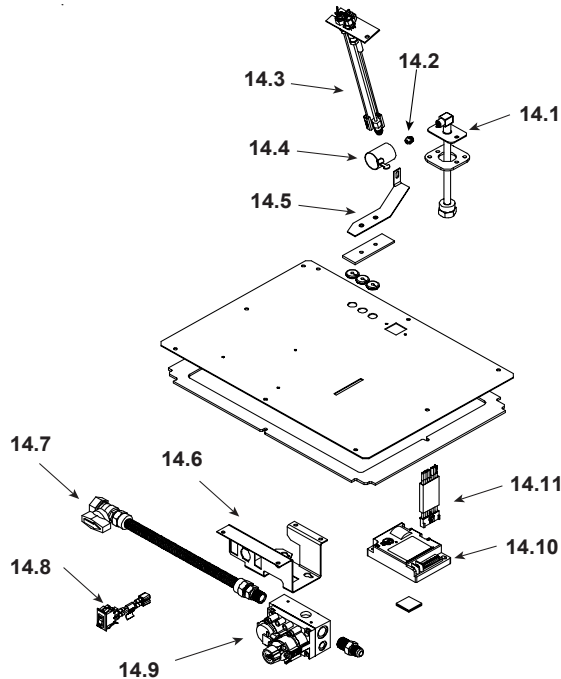
IMPORTANT: THIS IS DATED INFORMATION. Parts must be ordered from a dealer or distributor. **Hearth and Home Technologies does not sell directly to consumers.** Provide model number and serial number when requesting service parts from your dealer or distributor.



Stocked at Depot

ITEM	DESCRIPTION	COMMENTS	PART NUMBER	
	Log Set Assembly		LOGS-8OAK	Y
1	Log 1	No longer available, Must order complete assembly	SRV2057-720	
2	Log 2		SRV2057-721	
3	Log 3		SRV2057-722	
4	Log 4		SRV2057-723	
5	Log 5		SRV2057-724	
6	Log 6		SRV2057-725	
7	Log Grate	No longer available	2057-008	
8	Burner NG		2057-009	Y
	Burner LP		2057-010	Y
9	Base Refractory	No longer available	SRV2057-123	
10	Insulation Board	No longer available	380-401	
11	Surround	No longer available	380-130	
12	Glass Door Assembly		GLA-950TR	Y
13	Junction Box		SRV4021-013	Y

#14 Valve Assembly



IMPORTANT: THIS IS DATED INFORMATION. Parts must be ordered from a dealer or distributor. **Hearth and Home Technologies does not sell directly to consumers.** Provide model number and serial number when requesting service parts from your dealer or distributor.



**Stocked
at Depot**

ITEM	DESCRIPTION	COMMENTS	PART NUMBER	
14.1	12" Flexible Gas Connector		383-302A	Y
14.2	Burner Orifice NG (#31C)		SRV582-831	Y
	Burner Orifice LP (1.8 mm)		582-818	Y
14.3	Pilot Assembly NG	Pre 002927628	4021-422	Y
		Post 002927628	SRV2090-012	Y
	Pilot Assembly LP	Pre 002927628	4021-423	Y
		Post 002927628	2090-013	Y
14.4	Shutter Sleeve (NG)		2026-130	Y
14.5	Shutter Bracket Assembly	No longer available	2026-017	
14.6	Valve Bracket	No longer available	2025-101	
		Post 0021116425	2118-104	
14.7	Flex Ball Valve Assembly		SRV302-320	Y
14.8	ON/OFF Rocker Switch		060-521A	Y
14.9	Valve NG		750-500	Y
	Valve LP		750-501	Y
14.10	Module		SRV593-592	Y
14.11	Wire Assembly		SRV593-590	Y
	Gasket Assembly	No longer available	SRV385-402A	
	Ground Strap	No longer available	2025-512	
	Battery Pack		SRV593-594	Y
	3 Volt Transformer		SRV593-593	Y

Additional service part numbers appear on following page.

