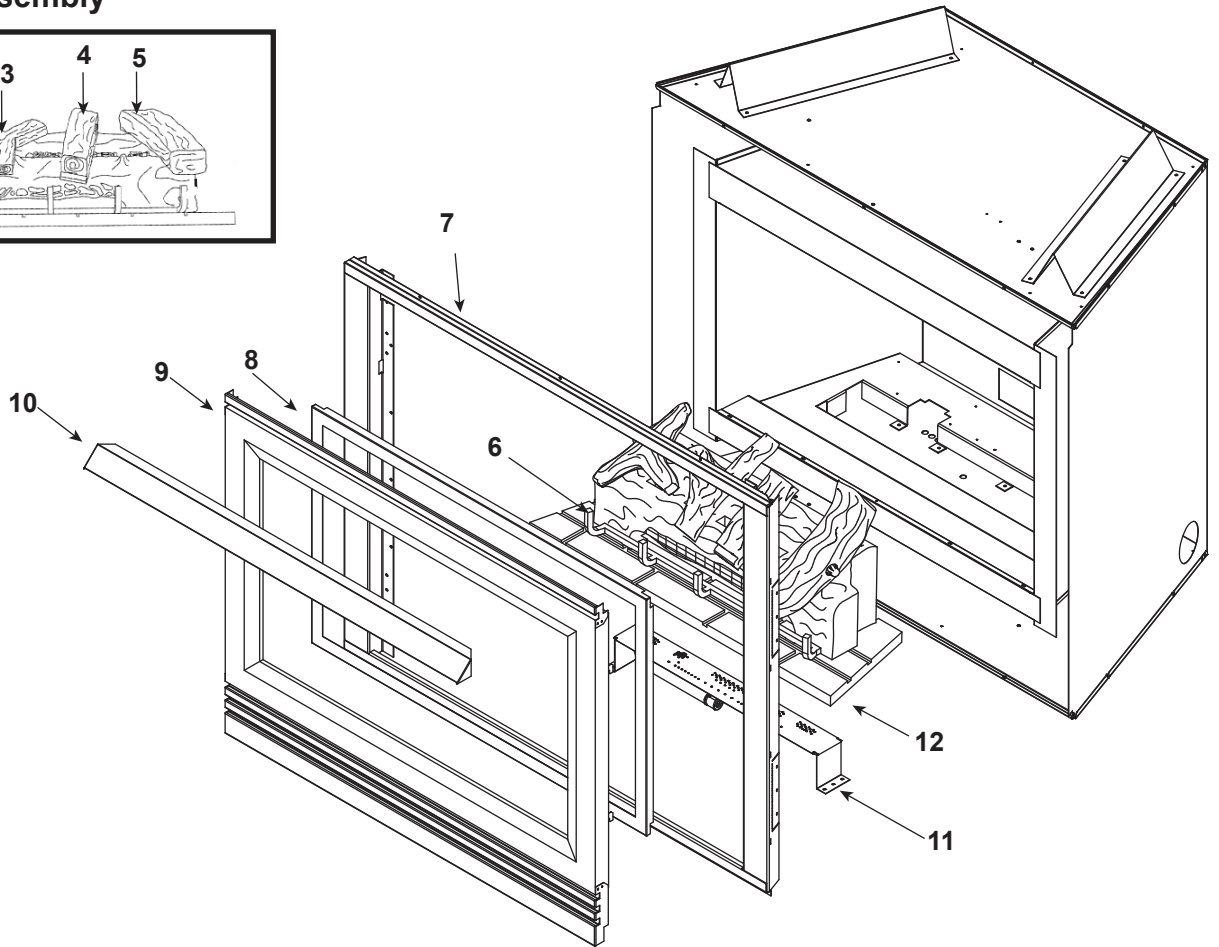
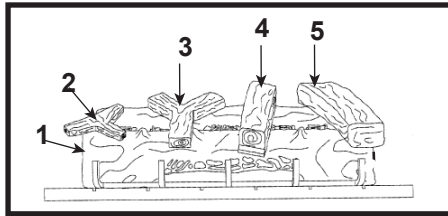


Log Set Assembly



IMPORTANT: THIS IS DATED INFORMATION. Parts must be ordered from a dealer or distributor. **Hearth and Home Technologies does not sell directly to consumers.** Provide model number and serial number when requesting service parts from your dealer or distributor.



Stocked at Depot

ITEM	DESCRIPTION	COMMENTS	PART NUMBER	
	Log Set Assembly	No longer available	LOGS-8FL	
1	Log 1	No longer available	SRV410-720	
2	Log 2	No longer available	SRV98-703	
3	Log 3	No longer available	SRV94-726	
4	Log 4	No longer available	SRV98-724	
5	Log 5	No longer available	SRV94-723	
6	Grate Assembly	No longer available	410-360A	
7	Surround	No longer available	SRV410-122A	
8	Glass Door Assembly		GLA-8FL	Y
9	Decorative Front	No longer available	DF-42H	
10	Hood	No longer available	SRV65-143-BK	
11	Burner NG	No longer available	410-326A	
	Burner LP	No longer available	410-325A	
12	Base Refractory	No longer available	SRV410-337	



Service Parts

8000GDVFL, 8000GDVFL-DSI

No one builds a better fire

Beginning Manufacturing Date: Jan 1995
Ending Manufacturing Date: Aug 1997

IMPORTANT: THIS IS DATED INFORMATION. Parts must be ordered from a dealer or distributor. **Hearth and Home Technologies does not sell directly to consumers.** Provide model number and serial number when requesting service parts from your dealer or distributor.



Stocked at Depot

ITEM	DESCRIPTION	COMMENTS	PART NUMBER	Stocked at Depot
	Fan Kit		GFK-160A	
	Mineral Wool		050-721	
	Orifice NG (#34A)	No longer available	067-800	
	Orifice LP (#51A)	No longer available	079-803	Y
	Remote		SMART-STAT-HHT	
	Touch Up Paint		TUPB-12	
STANDING PILOT COMPONENTS				
	Burner Tube		567-301A	Y
	Flex Ball Valve Assembly		SRV302-320	Y
	High Temp Limit Switch		092-531	Y
	Junction Box		100-250A	Y
	Piezo Ignitor		291-513	Y
	Pilot Assembly NG	Pre Date Code 2/96	446-512A	Y
		Post Date Code 2/96	446-510A	Y
	Pilot Assembly LP	Pre Date Code 2/96	446-513A	Y
		Post Date Code 2/96	446-511A	Y
	Thermocouple	No longer available	N/A	
		Post Date Code 2/96	446-511	Y
	Valve NG	Pre Date Code 2/96	040-500	Y
		Post Date Code 2/96	060-522	Y
	Valve LP	Pre Date Code 2/96	040-501	Y
		Post Date Code 2/96	060-523	Y
	Thermopile		2103-512	Y
	Conversion Kit NG	No longer available	NGK-8FL	
	Conversion Kit LP	No longer available	LPK-8FL	
	Pilot Orifice NG		SRV446-505	Y
	Pilot Orifice LP		SRV446-517	Y
	Regulator NG		SRV060-518	Y
	Regulator LP		060-519	Y
DSI COMPONENTS				
	Junction Box	No longer available	100-254A	
	Electrode	No longer available	416-591	
	Module	No longer available	398-592	
	Transformer	No longer available	060-599	
	Valve NG	No longer available	SRV462-500	
	Valve LP	No longer available	SRV462-501	