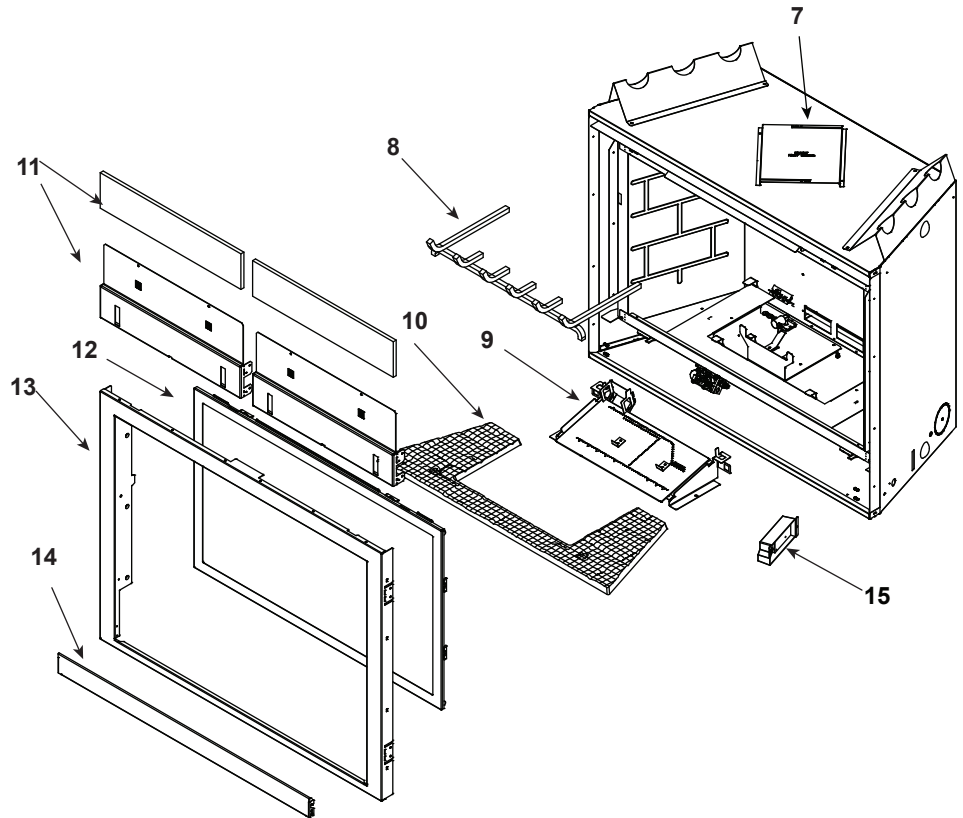
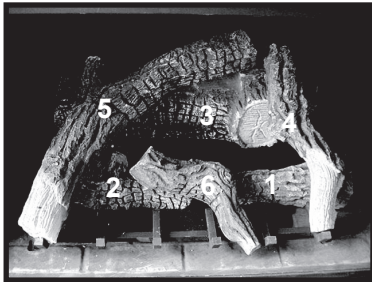


Log Set Assembly



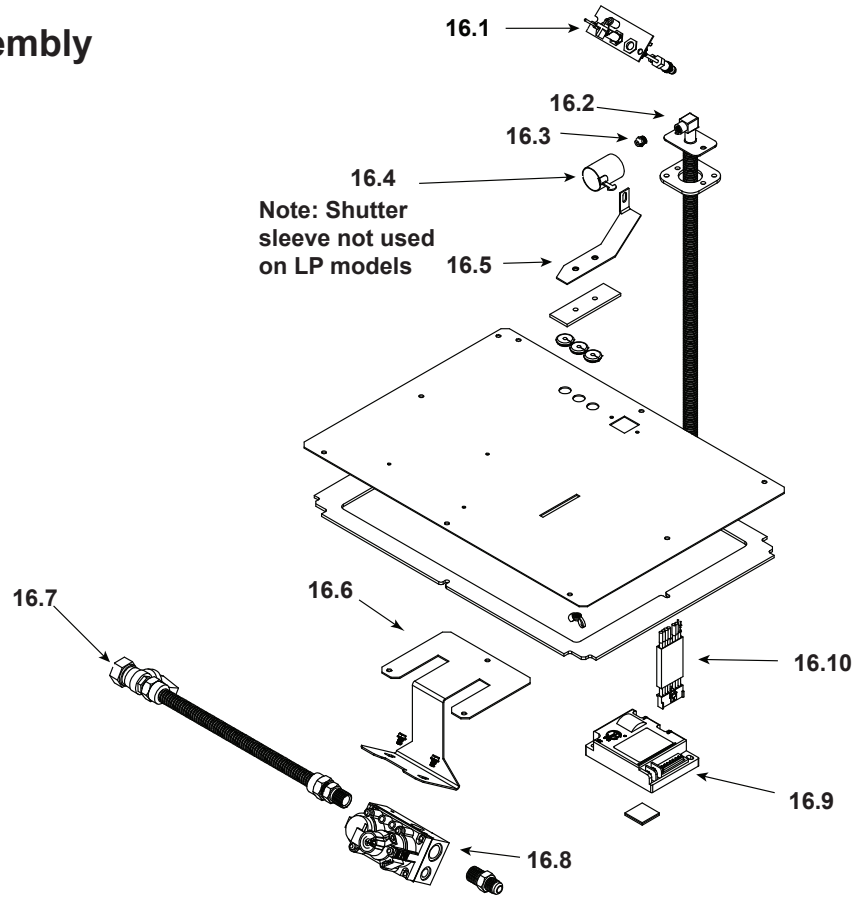
IMPORTANT: THIS IS DATED INFORMATION. Parts must be ordered from a dealer or distributor. **Hearth and Home Technologies does not sell directly to consumers.** Provide model number and serial number when requesting service parts from your dealer or distributor.



Stocked at Depot

ITEM	DESCRIPTION	COMMENTS	PART NUMBER	
	Log Set Assembly		LOGS-8OAK	Y
1	Log 1	No longer available, Must order complete assembly	SRV2057-720	
2	Log 2		SRV2057-721	
3	Log 3		SRV2057-722	
4	Log 4		SRV2057-723	
5	Log 5		SRV2057-724	
6	Log 6		SRV2057-725	
7	Heat Shield		385-290	
8	Log Grate	No longer available	2057-008	
9	Burner NG		2057-009	Y
	Burner LP		2057-010	Y
10	Base Refractory	No longer available	SRV2057-123	
11	Insulation Board / Sheetrock ledge	No longer available	2059-117A	
12	Glass Door Assembly		GLA-950TR	Y
13	Surround	No longer available	2059-103	
14	Surround Cover	No longer available	2059-118	
15	Junction Box		SRV4021-013	Y

#16 Valve Assembly



IMPORTANT: THIS IS DATED INFORMATION. Parts must be ordered from a dealer or distributor. **Hearth and Home Technologies does not sell directly to consumers.** Provide model number and serial number when requesting service parts from your dealer or distributor.



Stocked at Depot

ITEM	DESCRIPTION	COMMENTS	PART NUMBER	
16.1	Pilot Assembly NG	Pre 002927628	4021-422	Y
		Post 002927628	SRV2090-012	Y
	Pilot Assembly LP	Pre 002927628	4021-423	Y
		Post 002927628	2090-013	Y
16.2	18" Flexible Gas Connector		530-302A	Y
16.3	Burner Orifice NG (#31C)		SRV582-831	Y
	Burner Orifice LP (1.8mm)		582-818	Y
16.4	Shutter Sleeve (NG)		2026-130	Y
16.5	Shutter Bracket Assembly	No longer available	2026-017	
16.6	Valve Bracket	No longer available	2059-104	
16.7	Flex Ball Valve Assembly		SRV302-320	Y
16.8	Valve NG		750-500	Y
	Valve LP		750-501	Y
16.9	Module		SRV593-592	Y
16.10	Wire Assembly		SRV593-590	Y

Additional service part numbers appear on following page.

No one builds a better fire

Beginning Manufacturing Date: Jan 2005
Ending Manufacturing Date: Sept 2009

IMPORTANT: THIS IS DATED INFORMATION. When requesting service or replacement parts for your appliance please provide model number and serial number. All parts listed in this manual may be ordered from an authorized dealer.



**Stocked
at Depot**

ITEM	DESCRIPTION	COMMENTS	PART NUMBER	
	2" Jumper Wire		SRV2012-206	Y
	3 Volt Transformer		SRV593-593	Y
	Battery Pack		SRV593-594	Y
	Decorative Front	No longer available	DF-8-CFFS-BK	
	Fan Kit		GFK-160A	
	Flue Restrictor		385-128	
	Gasket Assembly Contains Vent, Seal Cap, Burner Neck, and Valve Plate Gaskets	No longer available	SRV385-402A	
	Glass Latch Support	Pkg of 2	386-122A/2	Y
	Ground Strap	No longer available	2025-512	
		No longer available	N/A	
	Mineral Wool		050-721	
	Pilot Plate		2057-143	
	Remote		SMART-STAT-HHT	
	Wire Assembly		2045-024	Y
	Touch Up Paint		TUP-GBK-12	
	Vermiculite Embers		MYSTIC-EMBERS	
	Conversion Kit NG	No longer available	NGK-8TROAK-IPI	
	Conversion Kit LP	No longer available	LPK-8TROAK-IPI	
	Regulator NG		SRVNGK-DXV	Y
	Regulator LP		SRVLPK-DXV	Y
	Pilot Orifice NG	Pre 002927628	SRV446-505	Y
		Post 002927628	SRV593-528	Y
	Pilot Orifice LP	Pre 002927628	SRV446-517	Y
		Post 002927628	SRV593-527	Y