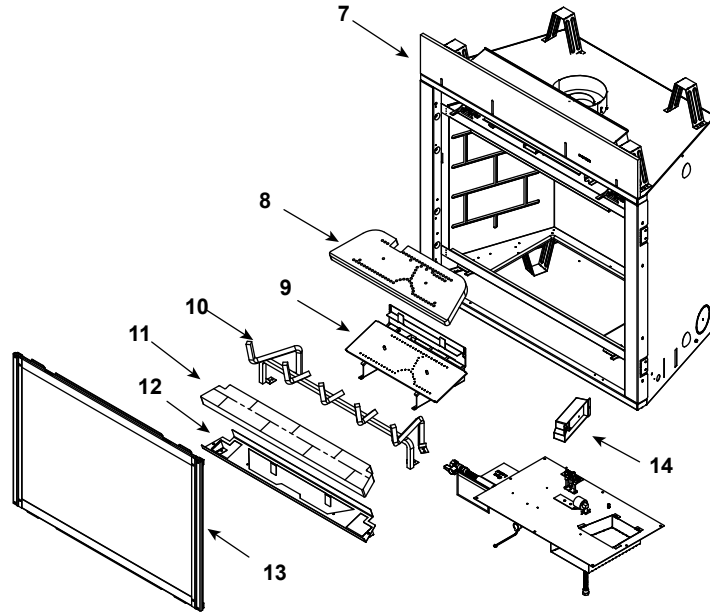
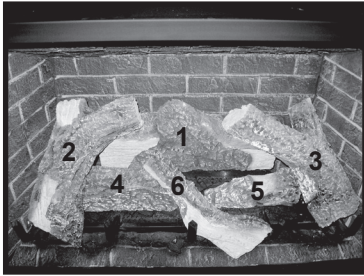


Log Set Assembly



IMPORTANT: THIS IS DATED INFORMATION. Parts must be ordered from a dealer or distributor. **Hearth and Home Technologies does not sell directly to consumers.** Provide model number and serial number when requesting service parts from your dealer or distributor.

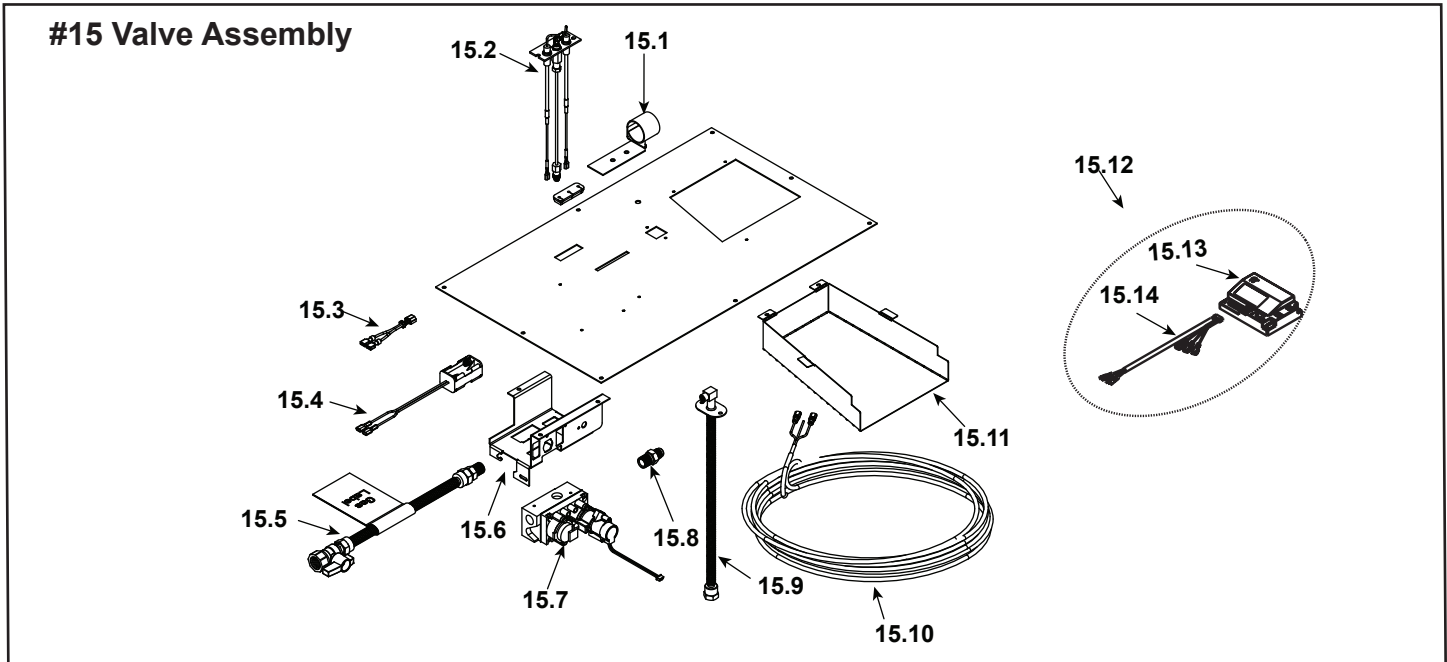


Stocked at Depot

ITEM	DESCRIPTION	COMMENTS	PART NUMBER	
	Log Set Assembly		LOGS-8C	Y
1	Log 1	No longer available, Must order complete assembly	SRV2168-701	
2	Log 2		SRV2168-702	
3	Log 3		SRV2168-703	
4	Log 4		SRV2168-704	
5	Log 5		SRV2168-705	
6	Log 6		SRV2168-706	
7	Insulation Board		2170-136	
8	Burner Top		SRV2170-100	Y
9	Burner NG		SRV2168-007	Y
	Burner LP		SRV2168-008	Y
10	Log Grate		SRV2170-104	
11	Base Refractory		SRV8BASE-STRAT	
12	Refractory Basket		2170-108	
13	Glass Door Assembly		GLA-950TR	Y
14	Junction Box		SRV4021-013	Y
	Finishing Strips	Sold as kit only	SRVFS-8	
	Glass Latch Support	Pkg of 2	386-122A/2	Y
	High Limit Switch		SRV4021-383	Y
	High Limit Switch Assembly		2167-353	Y
	Mineral Wool		050-721	
	Surround Assembly	No longer available	2170-019	
	Touch Up Paint		TUP-GBK-12	

No one builds a better fire

Beginning Manufacturing Date: Aug 2009
Ending Manufacturing Date: Dec 2009



IMPORTANT: THIS IS DATED INFORMATION. Parts must be ordered from a dealer or distributor. **Hearth and Home Technologies does not sell directly to consumers.** Provide model number and serial number when requesting service parts from your dealer or distributor.



**Stocked
at Depot**

ITEM	DESCRIPTION	COMMENTS	PART NUMBER	
15.1	Shutter Bracket Assembly		2166-157	Y
15.2	Pilot Assembly NG		2166-370	Y
	Pilot Assembly LP		2166-371	Y
15.3	Jumper Wire		SRV2187-198	Y
15.4	*Battery Pack		SRV2166-323	Y
15.5	Flex Ball Valve Assembly		SRV302-320	Y
15.6	Valve Bracket		2118-104	
15.7	Valve NG		SRV2166-302	Y
	Valve LP		2166-303	Y
15.8	Male Connector		303-315/5	Y
15.9	Bulkhead W/Tube		2166-119	Y
15.10	Wire Assembly		2045-024	Y
15.11	Chute		2167-182	
15.12	Control Assembly		SRV2164-030	Y
15.13	Module		2166-347	Y
15.14	Wire Harness		2166-304	Y
	Burner Orifice NG (#34C)		582-834	Y
	Burner Orifice LP (#51C)		SRV582-851	Y
	Conversion Kit NG		N/A	
	Conversion Kit LP		LPKI-8CBV	Y
	Regulator NG		NGK-DXV-50	Y
	Regulator LP		SRVLPK-DXV-50	Y
	Pilot Orifice NG		SRV593-528	Y
	Pilot Orifice LP		SRV593-527	Y