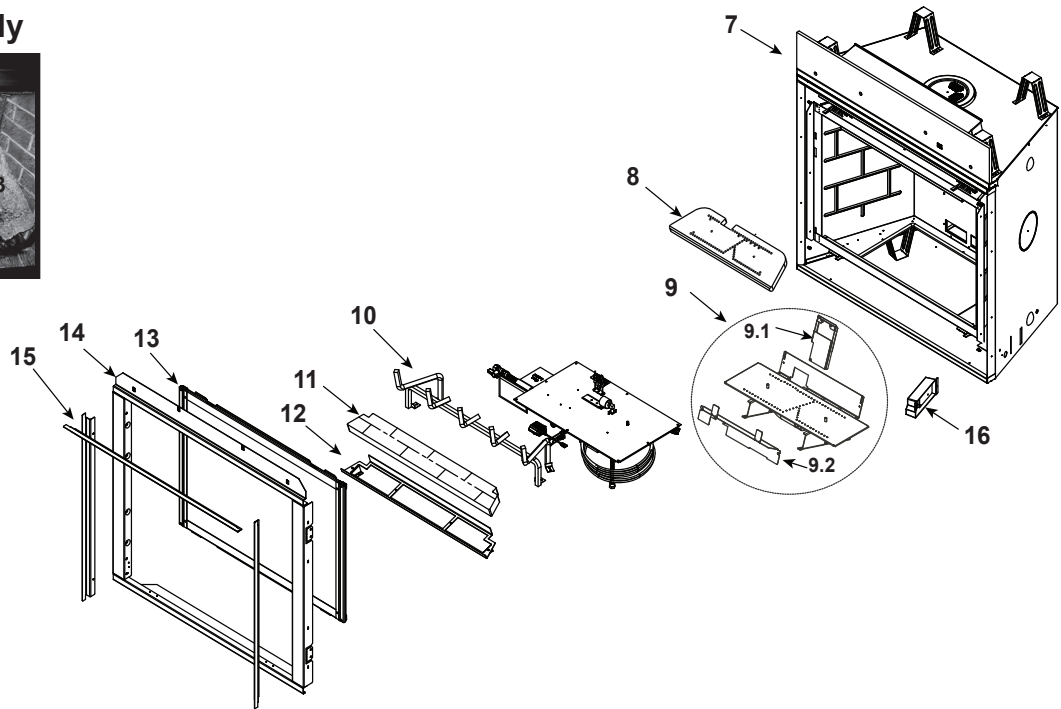


Log Set Assembly



IMPORTANT: THIS IS DATED INFORMATION. Parts must be ordered from a dealer or distributor. **Hearth and Home Technologies does not sell directly to consumers.** Provide model number and serial number when requesting service parts from your dealer or distributor.



Stocked at Depot

ITEM	DESCRIPTION	COMMENTS	PART NUMBER	
	Log Set Assembly		LOGS-8C	Y
1	Log 1	No longer available, Must order complete assembly	SRV2168-701	
2	Log 2		SRV2168-702	
3	Log 3		SRV2168-703	
4	Log 4		SRV2168-704	
5	Log 5		SRV2168-705	
6	Log 6		SRV2168-706	
7	Insulation Board		2170-136	
8	Burner Top		SRV2170-100	Y
9	Burner NG		SRV2168-007	Y
	Burner LP		SRV2168-008	Y
9.1	Air Scoop		2170-188	
9.2	Pilot Cover		2170-181	
10	Log Grate		SRV2170-104	
11	Base Refractory		SRV8BASE-STRAT	
12	Refractory Basket		2170-108	
13	Glass Door Assembly		GLA-950TR	Y
14	Surround Assembly	No longer available	2170-019	
15	Finishing Strips (Sold as kit only)		SRVFS-8	
16	Junction Box		SRV4021-013	Y

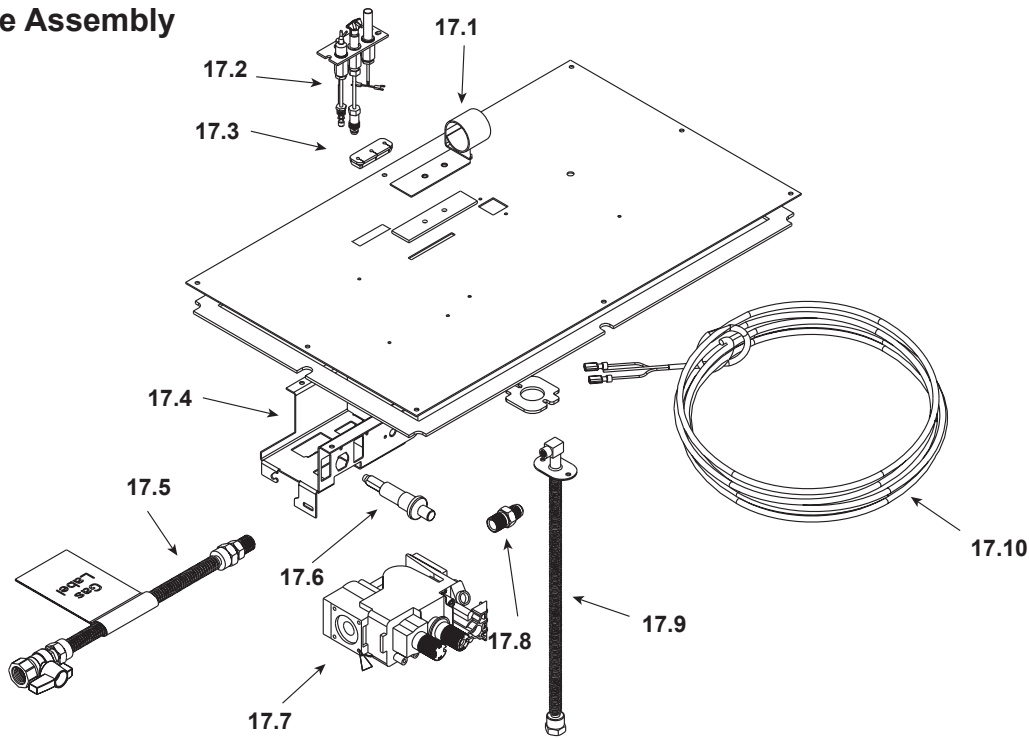
Additional service part numbers appear on following page.

No one builds a better fire

Beginning Manufacturing Date: Aug 2009

Ending Manufacturing Date: Jan 2010

#17 Valve Assembly



IMPORTANT: THIS IS DATED INFORMATION. Parts must be ordered from a dealer or distributor. **Hearth and Home Technologies does not sell directly to consumers.** Provide model number and serial number when requesting service parts from your dealer or distributor.



**Stocked
at Depot**

ITEM	DESCRIPTION	COMMENTS	PART NUMBER	Stocked at Depot
17.1	Shutter Bracket Assembly		2166-157	Y
17.2	Pilot Assembly NG		2103-010	Y
	Pilot Assembly LP		2103-011	Y
	Pilot Tube		SRV485-301	Y
	Thermopile		2103-511	Y
	Thermocouple		446-511	Y
17.3	3-hole Grommet		SRV2118-420	
17.4	Valve Bracket		2118-104	
17.5	Flex Ball Valve Assembly		SRV302-320	Y
17.6	Piezo Ignitor		SRV14D0503	Y
17.7	Valve NG		2166-300	Y
	Valve LP		2166-301	Y
17.8	Male Connector	Pkg of 5	303-315/5	Y
17.9	Bulkhead W/Tube		2166-119	Y
17.10	Thermostat Wire Assembly		2045-024	Y
	Burner Orifice NG (#33C)		582-833	Y
	Burner Orifice LP (#50C)		582-850	Y
	Wire Assembly	No longer available	040-557A	

Additional service part numbers appear on following page.

