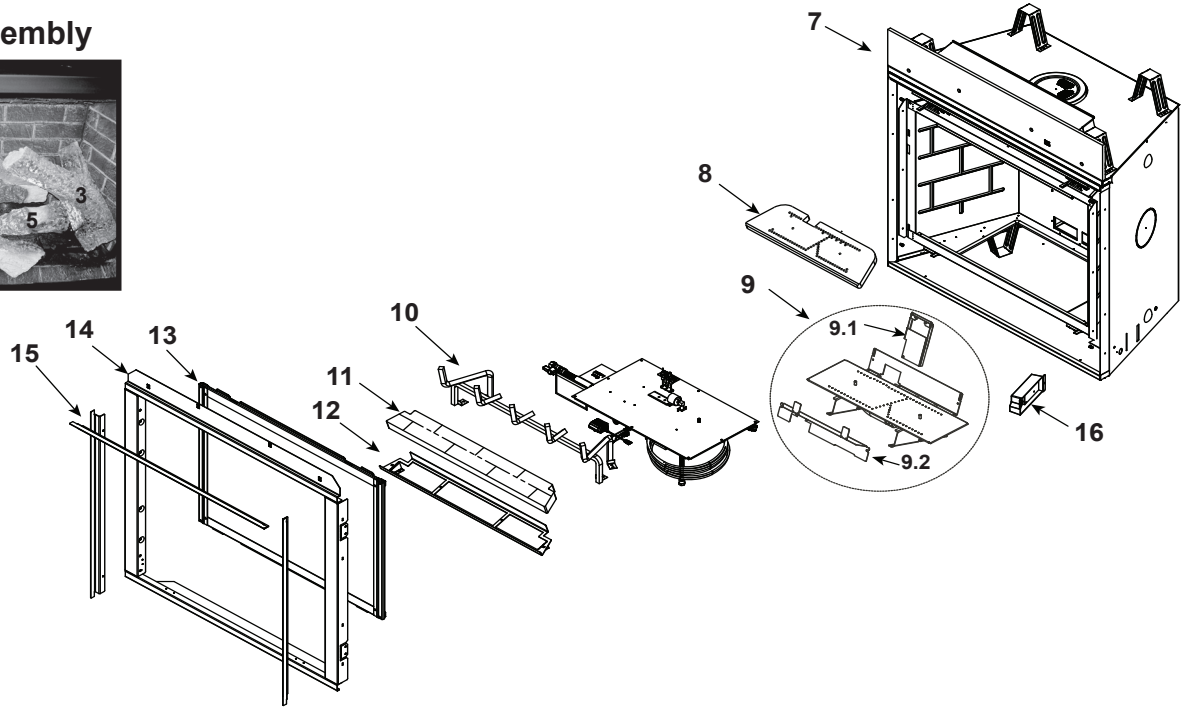


Log Set Assembly



IMPORTANT: THIS IS DATED INFORMATION. Parts must be ordered from a dealer or distributor. **Hearth and Home Technologies does not sell directly to consumers.** Provide model number and serial number when requesting service parts from your dealer or distributor.

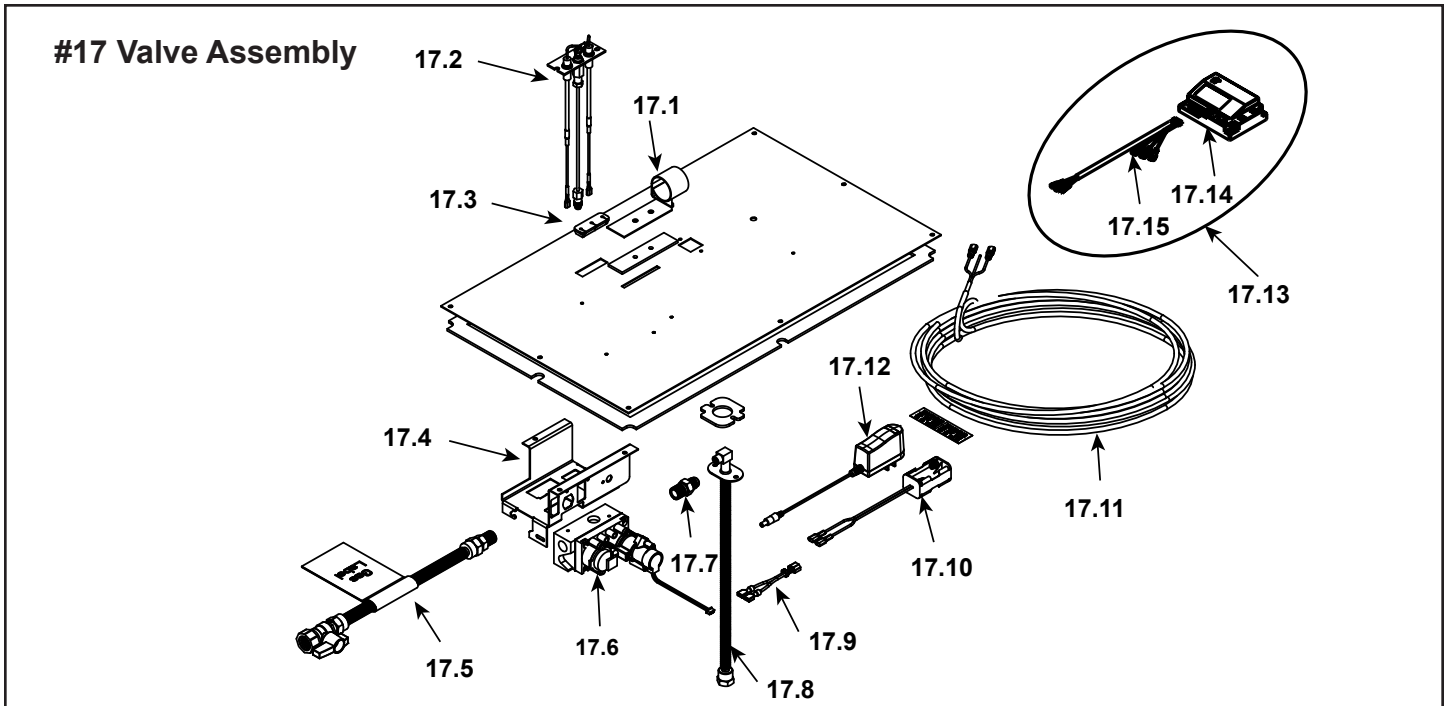


Stocked at Depot

ITEM	DESCRIPTION	COMMENTS	PART NUMBER	
	Log Set Assembly		LOGS-8C	Y
1	Log 1	No longer available, Must order complete assembly	SRV2168-701	
2	Log 2		SRV2168-702	
3	Log 3		SRV2168-703	
4	Log 4		SRV2168-704	
5	Log 5		SRV2168-705	
6	Log 6		SRV2168-706	
7	Insulation Board		2170-136	
8	Burner Top		SRV2170-100	Y
9	Burner NG		SRV2168-007	Y
	Burner LP		SRV2168-008	Y
9.1	Air Scoop		2170-188	
9.2	Pilot Cover		2170-181	
10	Log Grate		SRV2170-104	
11	Base Refractory		SRV8BASE-STRAT	
12	Refractory Basket		2170-108	
13	Glass Door Assembly		GLA-950TR	Y
14	Surround Assembly	No longer available	2170-019	
15	Finishing Strips (Sold as kit only)		SRVFS-8	
16	Junction Box		SRV4021-013	Y

No one builds a better fire

Beginning Manufacturing Date: Aug 2009
Ending Manufacturing Date: April 2018



IMPORTANT: THIS IS DATED INFORMATION. Parts must be ordered from a dealer or distributor. **Hearth and Home Technologies does not sell directly to consumers.** Provide model number and serial number when requesting service parts from your dealer or distributor.



Stocked at Depot

ITEM	DESCRIPTION	COMMENTS	PART NUMBER	Stocked at Depot
17.1	Shutter Bracket Assembly		2166-157	Y
17.2	Pilot Assembly NG		2166-370	Y
	Pilot Assembly LP		2166-371	Y
	Pilot Tube		SRV485-301	Y
17.3	3-hole Grommet		SRV2118-420	
17.4	Valve Bracket		2118-104	
17.5	Flex Ball Valve Assembly		SRV302-320	Y
17.6	Valve NG		SRV2166-302	Y
	Valve LP		2166-303	Y
17.7	Male Connector	Pkg of 5	303-315/5	Y
17.8	Bulkhead W/Tube		2166-119	Y
17.9	Jumper Wire		SRV2187-198	Y
17.10	Battery Pack **		SRV2166-323	Y
17.11	Thermostat Wire Assembly		SRV2118-170	Y
17.12	Transformer		SRV2326-131	Y
17.13	Control Assembly		SRV2164-030	Y
17.14	Module		2166-347	Y
17.15	Wire Harness		2166-304	Y
	Burner Orifice NG (#33C)		582-833	Y
	Burner Orifice LP (#50C)		582-850	Y

**Fuse for battery pack can be sourced locally, not a warranty item. Specs are 250v, 1A fuse, 3/4" long

Additional service part numbers appear on following page.



Service Parts

8000C-IPI, 8000C-IPILP

No one builds a better fire

Beginning Manufacturing Date: Aug 2009
Ending Manufacturing Date: April 2018

IMPORTANT: THIS IS DATED INFORMATION. Parts must be ordered from a dealer or distributor. Hearth and Home Technologies does not sell directly to consumers. Provide model number and serial number when requesting service parts from your dealer or distributor.



Stocked at Depot

Table with 5 columns: ITEM, DESCRIPTION, COMMENTS, PART NUMBER, and Stocked at Depot. Rows include: Exhaust Shield, Flue Restrictor, Gasket Assembly (Contains Vent, Burner Neck, Valve Plate, LED and Adjustable Air Shutter Gaskets), Glass Latch Support (Qty 2 req), Mineral Wool, Touch Up Paint, Folio 42" Front (Black), Conversion Kit NG, Conversion Kit LP, Regulator NG, Regulator LP, Pilot Orifice NG, Pilot Orifice LP.