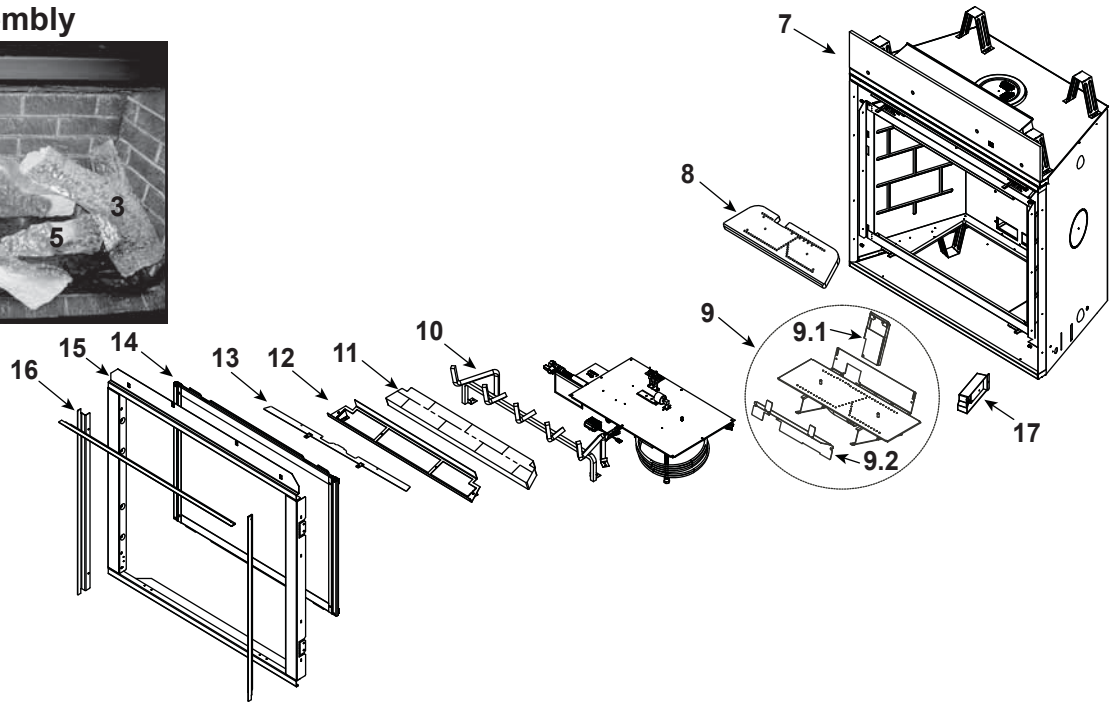


Log Set Assembly



IMPORTANT: THIS IS DATED INFORMATION. Parts must be ordered from a dealer or distributor. **Hearth and Home Technologies does not sell directly to consumers.** Provide model number and serial number when requesting service parts from your dealer or distributor.



**Stocked
at Depot**

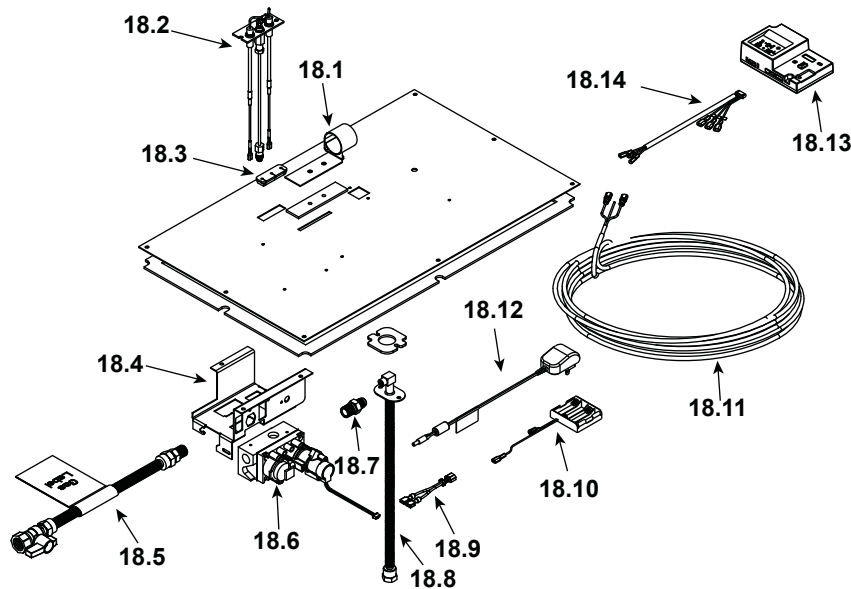
ITEM	DESCRIPTION	COMMENTS	PART NUMBER	
	Log Set Assembly		LOGS-8C	Y
1	Log 1		SRV2168-701	
2	Log 2		SRV2168-702	
3	Log 3		SRV2168-703	
4	Log 4		SRV2168-704	
5	Log 5		SRV2168-705	
6	Log 6		SRV2168-706	
7	Insulation Board		2170-136	
8	Burner Top		SRV2170-100	Y
9	Burner NG		2168-007	Y
	Burner Propane		2168-008	Y
9.1	Air Scoop		2170-188	
9.2	Pilot Cover		2170-181	
10	Log Grate		2170-104	
11	Base Refractory		SRV8BASE-STRAT	
12	Air Baffle		2503-144	
13	Refractory Basket		2170-108	
14	Glass Door Assembly		GLA-950TR	Y
15	Surround Assembly		2170-019	
16	Finishing Strips (Sold as kit only)		SRVFS-8	
17	Junction Box		SRV4021-013	Y

No one builds a better fire

Beginning Manufacturing Date: Mar 2018

Ending Manufacturing Date: Active

#18 Valve Assembly



IMPORTANT: THIS IS DATED INFORMATION. Parts must be ordered from a dealer or distributor. **Hearth and Home Technologies does not sell directly to consumers.** Provide model number and serial number when requesting service parts from your dealer or distributor.



Stocked at Depot

ITEM	DESCRIPTION	COMMENTS	PART NUMBER	Stocked at Depot
18.1	Shutter Bracket Assembly		2166-157	Y
18.2	Pilot Assembly NG		2166-370	Y
	Pilot Assembly Propane		2166-371	Y
	Pilot Tube		SRV485-301	Y
18.3	3-hole Grommet		SRV2118-420	
18.4	Valve Bracket		2118-104	
18.5	Flex Ball Valve Assembly		SRV302-320	Y
18.6	Valve NG		2166-302	Y
	Valve Propane		2166-303	Y
18.7	Male Connector	Pkg of 5	303-315/5	Y
18.8	Bulkhead W/Tube		2166-119	Y
18.9	Jumper Wire		SRV2187-198	Y
18.10	Battery Pack**		SRV2326-134	Y
18.11	Wall Switch Wire Assembly		SRV2118-170	Y
18.12	Transformer, 6 Volt Wall		SRV2326-131	Y
18.13	Module, IFT Control		2326-130	Y
18.14	Wire Harness, IFT 6 Pin		SRV2326-132	Y
	Burner Orifice NG (#33C)		582-833	Y
	Burner Orifice Propane (#50C)		582-850	Y

**Fuse for battery pack can be sourced locally, not a warranty item. Specs are 250v, 3A fuse, 3/4" long

Additional service part numbers appear on following page.



Service Parts

8000C-IFT, 8000C-IFTLP

No one builds a better fire

Beginning Manufacturing Date: Mar 2018
Ending Manufacturing Date: Active

IMPORTANT: THIS IS DATED INFORMATION. Parts must be ordered from a dealer or distributor. Hearth and Home Technologies does not sell directly to consumers. Provide model number and serial number when requesting service parts from your dealer or distributor.



Stocked at Depot

Main parts list table with columns: ITEM, DESCRIPTION, COMMENTS, PART NUMBER, Stocked at Depot. Includes items like Exhaust Shield, Flue Restrictor, Gasket Assembly, Glass Latch Support, Mineral Wool, Touch Up Paint.

Conversion Kits

Conversion Kits table with columns: ITEM, DESCRIPTION, COMMENTS, PART NUMBER, Stocked at Depot. Includes Conversion Kit NG, Conversion Kit Propane, Regulator NG, Regulator Propane, Pilot Orifice NG, Pilot Orifice Propane.