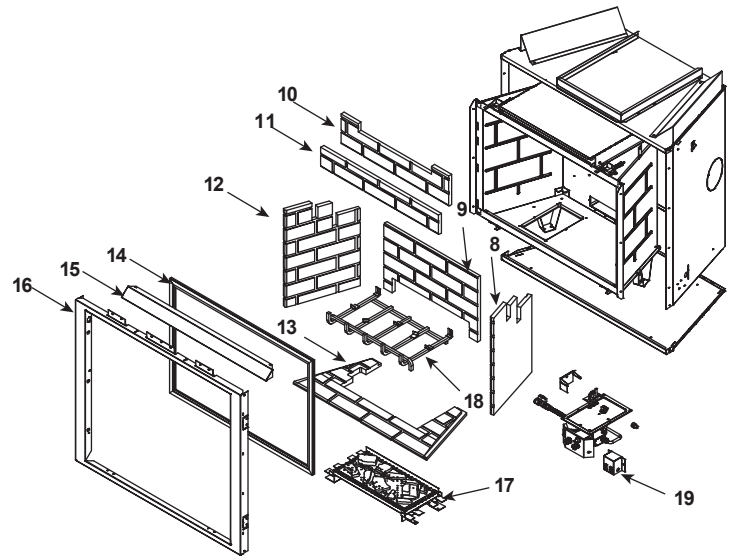
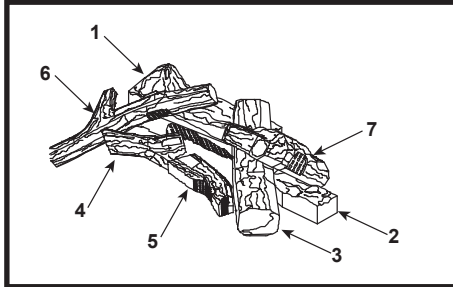


### Log Set Assembly



**IMPORTANT: THIS IS DATED INFORMATION.** Parts must be ordered from a dealer or distributor. **Hearth and Home Technologies does not sell directly to consumers.** Provide model number and serial number when requesting service parts from your dealer or distributor.



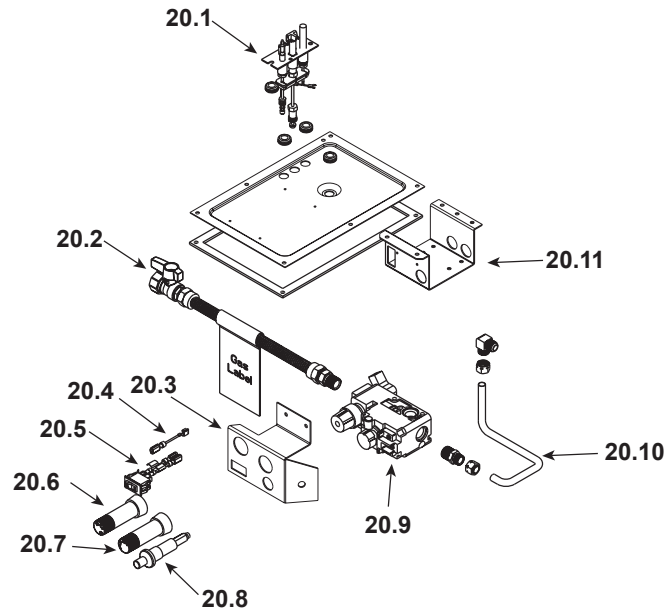
**Stocked at Depot**

| ITEM | DESCRIPTION           | COMMENTS                   | PART NUMBER    |          |
|------|-----------------------|----------------------------|----------------|----------|
|      | Log Set Assembly      | <b>No longer available</b> | LOGS-7XLS      |          |
| 1    | Log 1                 | <b>No longer available</b> | SRV520-700     |          |
| 2    | Log 2                 |                            | SRV528-702     |          |
| 3    | Log 3                 |                            | SRV520-701     |          |
| 4    | Log 4                 |                            | SRV528-704     |          |
| 5    | Log 5                 |                            | SRV528-703     |          |
| 6    | Log 6                 |                            | SRV520-706     |          |
| 7    | Log 7                 |                            | SRV520-702     |          |
| 8    | Refractory Right Side | <b>No longer available</b> | SRV520-371-UM  |          |
| 9    | Refractory Back       | <b>No longer available</b> | SRV520-373-UM  |          |
| 10   | Refractory Top Back   | <b>No longer available</b> | SRV520-375-UM  |          |
| 11   | Refractory Top Front  | <b>No longer available</b> | SRV520-374-UM  |          |
| 12   | Refractory Left Side  | <b>No longer available</b> | SRV520-372-UM  |          |
| 13   | Base Refractory       | <b>No longer available</b> | SRV520-370-UM  |          |
| 14   | Glass Door Assembly   |                            | GLA-750TRS     | <b>Y</b> |
| 15   | Hood                  |                            | SRV60-143-BK   |          |
| 16   | Surround              | <b>No longer available</b> | 520-130        |          |
| 17   | Burner NG, LP         | <b>No longer available</b> | 521-131A       |          |
| 18   | Grate Assembly        | <b>No longer available</b> | 521-360A       |          |
| 19   | Junction Box          |                            | 100-250A       | <b>Y</b> |
|      | Decorative Front      |                            | DF-6000        |          |
|      | Fan Kit               |                            | GFK-160A       |          |
|      | Mineral Wool          |                            | 050-721        |          |
|      | Remote                |                            | SMART-STAT-HHT |          |
|      | Touch Up Paint        |                            | TUPB-12        |          |

No one builds a better fire

Beginning Manufacturing Date: April 1999  
Ending Manufacturing Date: June 2001

### #20 Valve Assembly



IMPORTANT: THIS IS DATED INFORMATION. Parts must be ordered from a dealer or distributor. **Hearth and Home Technologies does not sell directly to consumers.** Provide model number and serial number when requesting service parts from your dealer or distributor.



**Stocked at Depot**

| ITEM  | DESCRIPTION              | COMMENTS            | PART NUMBER |   |
|-------|--------------------------|---------------------|-------------|---|
| 20.1  | Pilot Assembly NG        |                     | 4021-736    | Y |
|       | Pilot Assembly LP        |                     | 4021-737    | Y |
|       | Thermocouple             |                     | 446-511     | Y |
|       | Thermopile               |                     | 2103-512    | Y |
|       | Pilot Tube               |                     | SRV485-301  | Y |
| 20.2  | Flex Ball Valve Assembly |                     | SRV302-320  | Y |
| 20.3  | Control Panel            | No longer available | 278-154     |   |
| 20.4  | Wire Assembly            | No longer available | 049-552A    |   |
| 20.5  | On/ Off Rocker Switch    |                     | 060-521A    | Y |
| 20.6  | Pilot Control Knob       | No longer available | 571-530     |   |
| 20.7  | Flame Control Knob       | No longer available | 571-531     |   |
| 20.8  | Piezo Ignitor            |                     | 291-513     | Y |
| 20.9  | Valve NG                 |                     | 060-522     | Y |
|       | Valve LP                 |                     | 060-523     | Y |
| 20.10 | Gas Tube                 |                     | 477-301A    | Y |
| 20.11 | Valve Bracket            | No longer available | 550-152     |   |
|       | Orifice NG (#31A)        | No longer available | 506-800     |   |
|       | Orifice LP (#49A)        | No longer available | 065-801     |   |
|       | Conversion Kit NG        | No longer available | NGK-7XLS    |   |
|       | Conversion Kit LP        | No longer available | LPK-7XLT    |   |
|       | Pilot Orifice NG         |                     | SRV446-505  | Y |
|       | Pilot Orifice LP         |                     | SRV446-517  | Y |
|       | Regulator NG             |                     | SRV060-518  | Y |
|       | Regulator LP             |                     | 060-519     | Y |