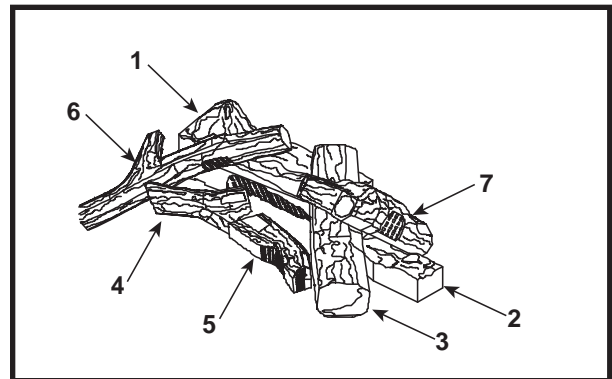


### Log Set Assembly



Part number list on following page.

No one builds a better fire

IMPORTANT: THIS IS DATED INFORMATION.: When requesting service or replacement parts for your appliance please provide model number and serial number. All parts listed in this manual may be ordered from an authorized dealer.



**Stocked  
at Depot**

ITEM	DESCRIPTION	SERIAL #	PART NUMBER	
	Log Set Assembly		LOGS-7XLS	Y
1	Log 1		SRV520-700	N
2	Log 2		SRV528-702	N
3	Log 3		SRV520-701	N
4	Log 4		SRV528-704	N
5	Log 5		SRV528-703	N
6	Log 6		SRV520-706	N
7	Log 7		SRV520-702	N
8	Refractory Right Side		SRV520-371-UM	N
9	Refractory Back		SRV520-373-UM	N
10	Refractory Top Back		SRV520-375-UM	N
11	Refractory Top Front		SRV520-374-UM	N
12	Refractory Left Side		SRV520-372-UM	N
13	Base Refractory		SRV520-370-UM	N
14	Glass Door Assembly		GLA-750TRS	Y
15	Hood		SRV60-143-BK	N
16	Surround		520-130	N
17	Burner NG, LP		521-131A	Y
18	Grate Assembly		521-360A	N
19	Junction Box		100-250A	Y
	Orifice NG (#31A)		506-800	Y
	Orifice LP (.0745 A)		528-801	Y
	Pilot Assembly NG		485-510A	Y
	Pilot Assembly LP		485-511A	Y
	Thermocouple		446-511	Y
	Thermopile		2103-512	Y
	Pilot tube		SRV485-301	Y
	Valve NG		060-522	Y
	Valve LP		060-523	Y
	Piezo Ignitor		291-513	Y
	Flex Ball Valve Assembly		302-320A	Y
	Gas Tube		477-301A	Y
	Valve Bracket		550-152	N
	On/ Of Rocker Switch		060-511	Y
	Decorative Front		DF-6000	N
	Mineral Wool		050-721	N
	Touch Up Paint		TUPB-12	N
	Conversion Kit NG	<b>No longer available</b>	NGK-7XLS	N
	Conversion Kit LP	<b>No longer available</b>	LPK-7XLS	N
	Pilot Orifice NG		446-505	Y
	Pilot Orifice LP		446-517	Y
	Regulator NG		060-518	Y
	Regulator LP		060-519	Y