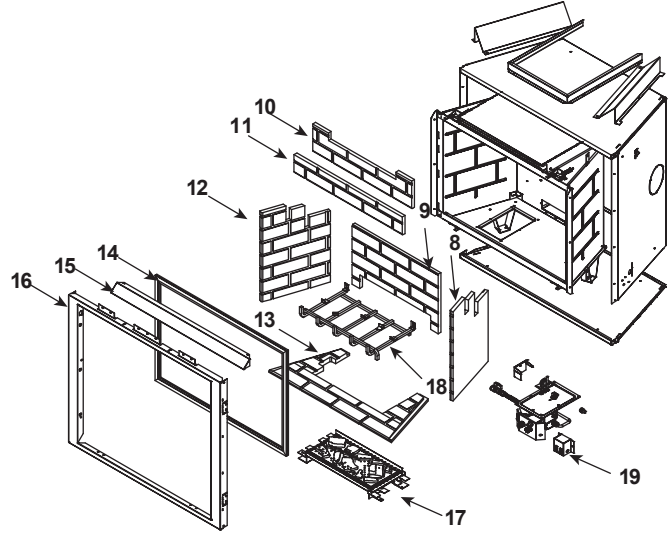
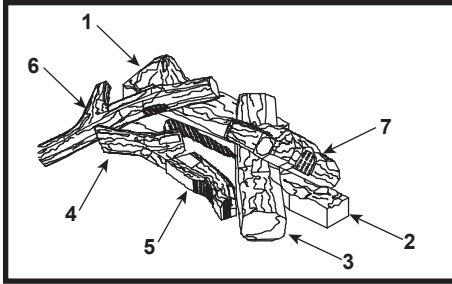


Log Set Assembly



IMPORTANT: THIS IS DATED INFORMATION. Parts must be ordered from a dealer or distributor. **Hearth and Home Technologies does not sell directly to consumers.** Provide model number and serial number when requesting service parts from your dealer or distributor.



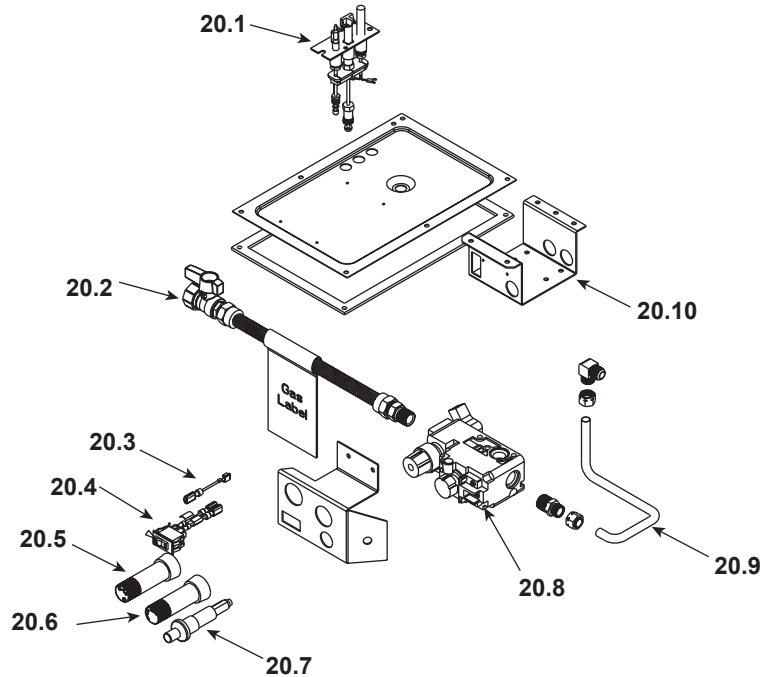
Stocked at Depot

ITEM	DESCRIPTION	COMMENTS	PART NUMBER	
	Log Set Assembly	No longer available	LOGS-7XLS	
1	Log 1	No longer available	SRV520-700	
2	Log 2		SRV528-702	
3	Log 3		SRV520-701	
4	Log 4		SRV528-704	
5	Log 5		SRV528-703	
6	Log 6		SRV520-706	
7	Log 7		SRV520-702	
8	Refractory Right Side	No longer available	SRV520-371-UM	
9	Refractory Back	No longer available	SRV520-373-UM	
10	Refractory Top Back	No longer available	SRV520-375-UM	
11	Refractory Top Front	No longer available	SRV520-374-UM	
12	Refractory Left Side	No longer available	SRV520-372-UM	
13	Base Refractory	No longer available	SRV520-370-UM	
14	Glass Door Assembly		GLA-750TRS	Y
15	Hood		SRV60-143-BK	
16	Surround	No longer available	520-130	
17	Burner NG, LP	No longer available	521-131A	
18	Grate Assembly	No longer available	521-360A	
19	Junction Box		100-250A	Y
	Decorative Front		DF-6000	
	Fan Kit		GFK-160A	
	Mineral Wool		050-721	
	Remote		SMART-STAT-HHT	
	Touch Up Paint		TUPB-12	

No one builds a better fire

Beginning Manufacturing Date: Aug 1998
Ending Manufacturing Date: April 2001

#20 Valve Assembly



IMPORTANT: THIS IS DATED INFORMATION. Parts must be ordered from a dealer or distributor. **Hearth and Home Technologies does not sell directly to consumers.** Provide model number and serial number when requesting service parts from your dealer or distributor.



**Stocked
at Depot**

ITEM	DESCRIPTION	COMMENTS	PART NUMBER	
20.1	Pilot Assembly NG		4021-736	Y
	Pilot Assembly LP		4021-737	Y
	Thermocouple		446-511	Y
	Thermopile		2103-512	Y
	Pilot tube		SRV485-301	Y
20.2	Flex Ball Valve Assembly		SRV302-320	Y
20.3	Wire Harness	No longer available	049-552A	
20.4	On/ Of, Switch		SRV32D0232	Y
20.5	Pilot Control Knob	No longer available	571-530	
20.6	Flame Control Knob	No longer available	571-531	
20.7	Piezo Ignitor		291-513	Y
20.8	Valve NG		060-522	Y
	Valve LP		060-523	Y
20.9	Gas Tube		477-301A	Y
20.10	Valve Bracket	No longer available	550-152	
	Orifice NG (#31A)	No longer available	506-800	
	Orifice LP (.0745 A)	No longer available	528-801	
	Conversion Kit NG	No longer available	NGK-7XLS	
	Conversion Kit LP	No longer available	LPK-7XLS	
	Pilot Orifice NG		SRV446-505	Y
	Pilot Orifice LP		SRV446-517	Y
	Regulator NG		SRV060-518	Y
	Regulator LP		060-519	Y