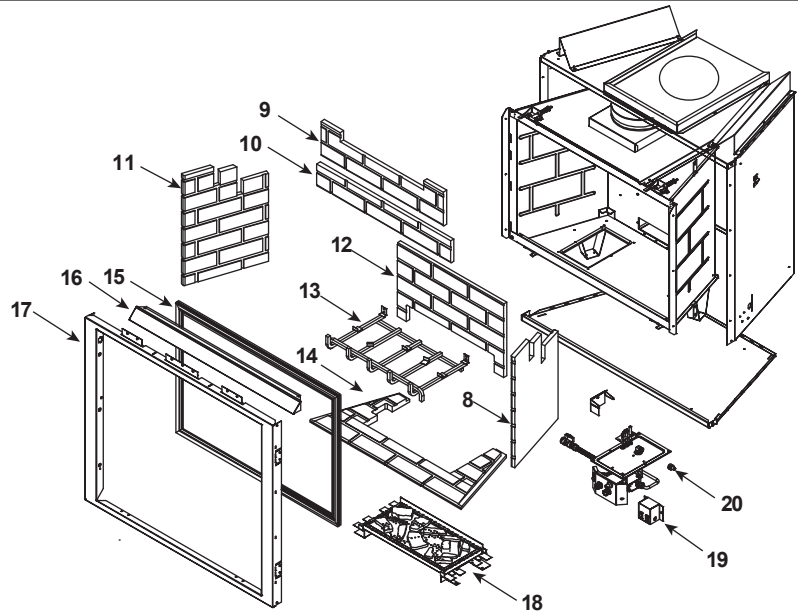
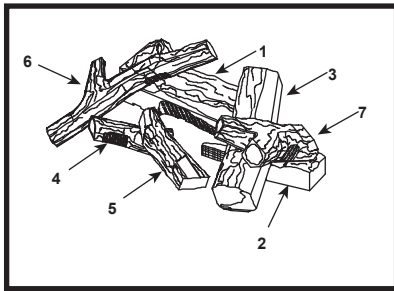


### Log Set Assembly



IMPORTANT: THIS IS DATED INFORMATION. Parts must be ordered from a dealer or distributor. **Hearth and Home Technologies does not sell directly to consumers.** Provide model number and serial number when requesting service parts from your dealer or distributor.



**Stocked at Depot**

ITEM	DESCRIPTION	COMMENTS	PART NUMBER	
	Log Set Assembly		LOGS-7TR	Y
1	Log 1	<b>No longer available, Must order complete assembly</b>	SRV520-700	
2	Log 2		SRV446-702	
3	Log 3		SRV520-701	
4	Log 4		SRV520-704	
5	Log 5		SRV520-703	
6	Log 6		SRV520-706	
7	Log 7		SRV520-702	
8	Refractory Right Side	<b>No longer available</b>	SRV520-371-UM	
9	Refractory Top Back	<b>No longer available</b>	SRV520-375-UM	
10	Refractory Top Front	<b>No longer available</b>	SRV520-374-UM	
11	Refractory Left Side	<b>No longer available</b>	SRV520-372-UM	
12	Refractory Back	<b>No longer available</b>	SRV520-373-UM	
13	Grate Assembly	<b>No longer available</b>	521-360A	
14	Base Refractory	<b>No longer available</b>	SRV520-370-UM	
15	Glass Door Assembly		GLA-6TROC	Y
16	Hood		SRV60-143-BK	
17	Surround	<b>No longer available</b>	520-130	
18	Burner NG, LP		520-131A	Y
19	Junction Box	Standing Pilot	100-250A	Y
		<b>No longer available</b>	100-254A	
20	Orifice NG Rear (#37A)	<b>No longer available</b>	079-830	
	Orifice NG Top (#35A)	<b>No longer available</b>	065-800	
	Orifice LP (#51A)	<b>No longer available</b>	079-803	



Service Parts

7000TR-NF, 7000TR-NF-DSI

No one builds a better fire

Beginning Manufacturing Date: Aug 1998  
Ending Manufacturing Date: April 2001

IMPORTANT: THIS IS DATED INFORMATION. Parts must be ordered from a dealer or distributor. **Hearth and Home Technologies does not sell directly to consumers.** Provide model number and serial number when requesting service parts from your dealer or distributor.



Stocked at Depot

ITEM	DESCRIPTION	COMMENTS	PART NUMBER	
	Decorative Front		DF-6000	
	Fan Kit		GFK-160A	
	Glass Latch Assembly	Pkg of 2	386-122A/2	Y
	High Temp Limit Switch		092-531	Y
	Mineral Wool		050-721	
	Remote		SMART-STAT-HHT	
	Touch Up Paint		TUPB-12	
	Valve Bracket	No longer available	550-152	
<b>STANDING PILOT COMPONENTS</b>				
	Flex Ball Valve Assembly		SRV302-320	Y
	Piezo Ignitor		291-513	Y
	Pilot Assembly NG		4021-736	Y
	Pilot Assembly LP		4021-737	Y
	Thermocouple		446-511	Y
	Thermopile		2103-512	Y
	Pilot Tube		SRV485-301	Y
	Valve NG		060-522	Y
	Valve LP		060-523	Y
	Conversion Kit NG for Rear Venting	No longer available	NGK-7TRR	
	Conversion Kit NG for Top Venting	No longer available	NGK-7TRT	
	Conversion Kit LP	No longer available	LPK-7TR	
	Pilot Orifice NG		SRV446-505	Y
	Pilot Orifice LP		SRV446-517	Y
	Regulator NG		SRV060-518	Y
	Regulator LP		060-519	Y
<b>DSI COMPONENTS</b>				
	Ignitor		501-591	Y
	Module	No longer available	501-592	
	Valve NG		492-500	Y
	Valve LP	No longer available	492-501	
	Conversion Kit NG for Rear Venting	No longer available	NGK-7TRR-DSI	
	Conversion Kit NG for Top Venting	No longer available	NGK-7TRT-DSI	
	Conversion Kit LP	No longer available	LPK-7TR-DSI	