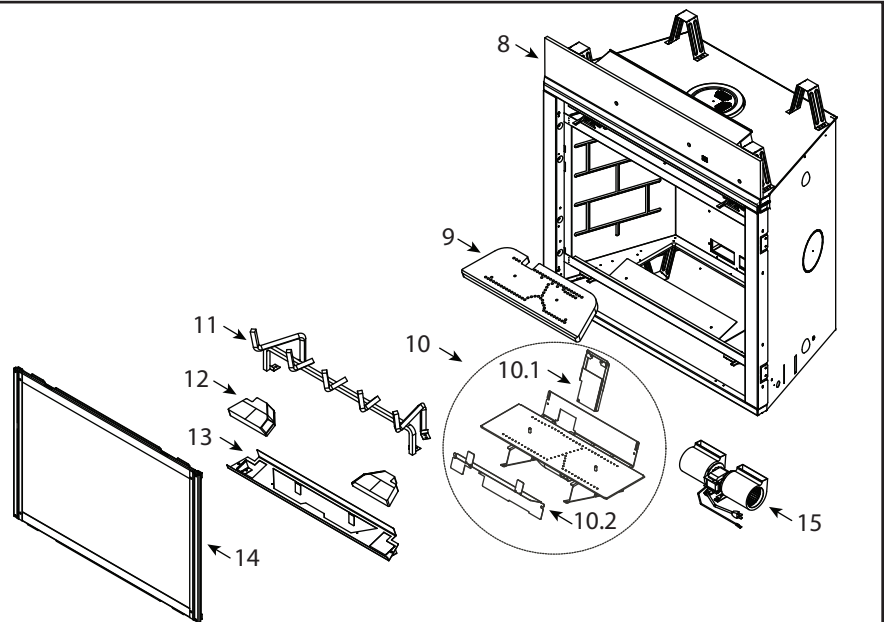
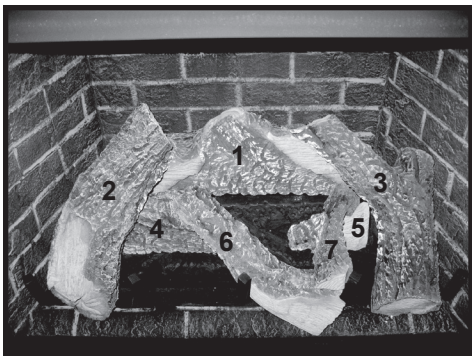


No one builds a better fire

36" Gas Space Heating Appliance

Beginning Manufacturing Date: April 2018
Ending Manufacturing Date: May 2023

Log Set Assembly



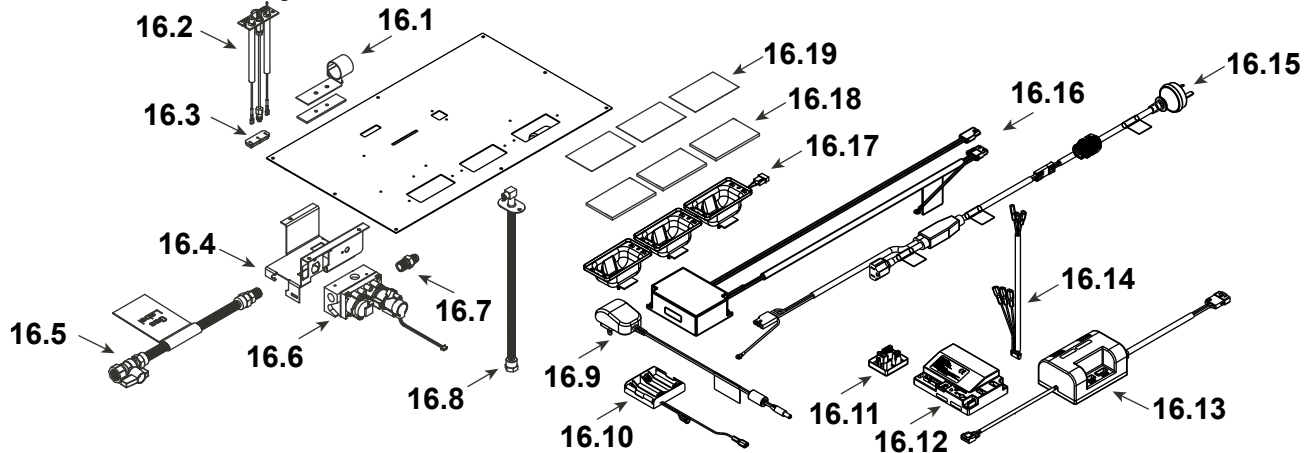
IMPORTANT: THIS IS DATED INFORMATION. Parts must be ordered from a dealer or distributor. **Hearth and Home Technologies does not sell directly to consumers.** Provide model number and serial number when requesting service parts from your dealer or distributor.

ITEM	DESCRIPTION	COMMENTS	PART NUMBER
	Log Assembly		LOGS-6X-AU
1	Log #1		SRV2164-701
2	Log #2		SRV2164-702
3	Log #3		SRV2164-703
4	Log #4		SRV2164-704
5	Log #5		SRV2164-705
6	Log #6		SRV2164-706
7	Log #7		SRV2165-707
8	Non-combustible board		2508-136
9	Burner Top		SRV2166-100
10	Burner Assembly NG		SRV2166-007
	Burner Assembly Propane		SRV2508-009
	Burner Assembly ULPG		SRV2508-008
10.1	Air Scoop		2170-188
10.2	Pilot Cover		2170-181
11	Grate Assembly		SRV2166-104
12	Refractory Base	Black	SRV6CLXBASE-BK
		Stratford	SRV6CLXBAS-STRT
13	Base Refractory Basket		2166-108
14	Glass Assembly		GLA2506-018
15	Fan		2264-500A
	Ember Mesh		2166-113
	Surround	No longer available	2166-019

Additional service part numbers on following page.

No one builds a better fire

#16 Valve Assembly



IMPORTANT: THIS IS DATED INFORMATION. Parts must be ordered from a dealer or distributor. **Hearth and Home Technologies does not sell directly to consumers.** Provide model number and serial number when requesting service parts from your dealer or distributor.

ITEM	DESCRIPTION	COMMENTS	PART NUMBER
16.1	Shutter Bracket Assembly		2166-157
16.2	Pilot Assembly, NG		2166-370
	Pilot Assembly, LP		2166-371
	Pilot Tube		SRV485-301
16.3	3-Hole Grommet		SRV2118-420
16.4	Valve Bracket		2118-104
16.5	Flex Ball Valve Assembly		SRV302-320
16.6	Valve, NG		SRV2166-302
	Valve, LP		2166-303
16.7	Male Connector	Pkg of 5	303-315/5
16.8	Bulkhead W/Flex tube		SRV7000-156
16.9	Transformer, 6 Volt Wall		SRV2326-131
16.10	Battery Pack**		SRV2166-323
16.11	LED Resistor Module		2326-125
16.12	Module, IPI Gray		2166-306
16.13	AUX 300, CE		2166-340
16.14	Wire Harness		2166-304
16.15	Power Cord Assembly		2222-037
16.16	LED 12 Volt Power Supply		2326-114
16.17	3-Gang LED Assembly		2166-315
16.18	Glass, 1/4 "	Qty 3 req	2166-163
16.19	Kapton Lens, Dark Orange	Qty 3 req	2166-184
	Orifice, NG (0.124)		582-8124
	Orifice, LP (#49C)		SRV582-849
	Orifice, ULPG (#53C)		582-853

**Fuse for battery pack can be sourced locally, not a warranty item. Specs are 250v, 1A fuse, 3/4" long
Additional service part numbers on following page.



No one builds a better fire

Beginning Manufacturing Date: April 2018
Ending Manufacturing Date: May 2023

IMPORTANT: THIS IS DATED INFORMATION. Parts must be ordered from a dealer or distributor. **Hearth and Home Technologies does not sell directly to consumers.** Provide model number and serial number when requesting service parts from your dealer or distributor.

ITEM	DESCRIPTION	COMMENTS	PART NUMBER
	Flue Restrictor	Qty 2 req	385-128
	Front	Black	FS-7-BK-AU
	Gasket Assembly Contains: Vent, Burner Neck, Valve, LED, and Adjustable Air Shutter Gaskets		2166-081
	Glass Latch Assembly	Qty 4 req	2155-045
	Magnet Bracket Assembly	Qty 2 req	2506-150
	Mineral Wool		050-721
	RC300-HNG-AU Remote		REM300-HNG-AU
	RC300 Component Bag	No longer available	2166-036
	Teco-Sil, 5lb. Bag White Ember Bed Rock		SRV700-790
	Touch Up Paint		TUP-GBK-12
	Refractory Kit Black Glass		SRV2506-079
	Top Refractory		SRV2506-713
	Refractory Kit Stratford		SRV6CLXREF-STRT
	Back Refractory		SRV2166-710
	Left Refractory		SRV2166-711
	Right Refractory		SRV2166-712
	Top Refractory		SRV2166-713
	Wind Diverter		2279-300
Conversion Kits			
	Conversion Kit Propane		6X-N2P
	Conversion Kit ULPG		6X-N2B
	Pilot Orifice, NG		SRV593-528
	Pilot Orifice, Propane		SRV593-527
	Pilot Orifice, ULPG		593-529
	Regulator, NG		NGK-DXV-50
	Regulator, Propane/ULPG		SRVLPK-DXV-50