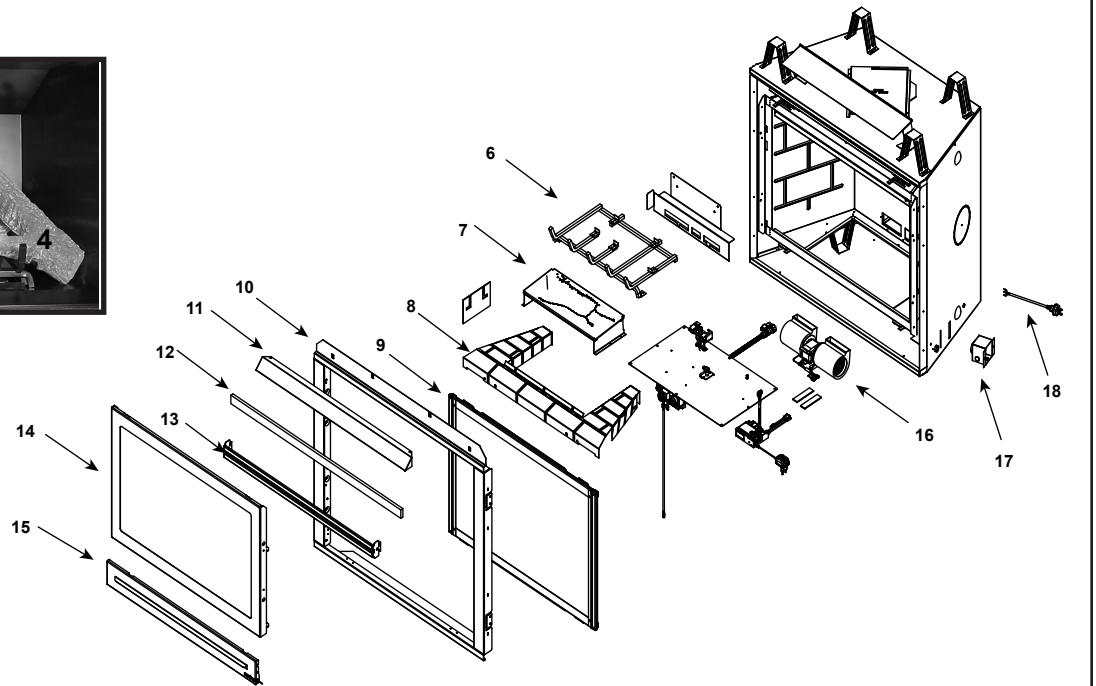


Log Set Assembly



IMPORTANT: THIS IS DATED INFORMATION. Parts must be ordered from a dealer or distributor. **Hearth and Home Technologies does not sell directly to consumers.** Provide model number and serial number when requesting service parts from your dealer or distributor.

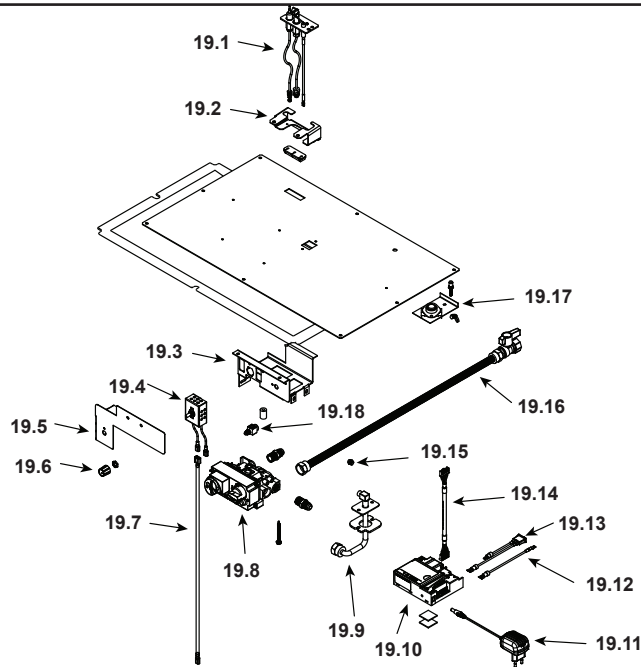
ITEM	DESCRIPTION	COMMENTS	PART NUMBER
	Log Set Assembly		LOGS-6TRSC
1	Log #1	No longer available, Must order complete assembly	SRV2049-700
2	Log #2		SRV2049-701
3	Log #3		SRV385-721
4	Log #4		SRV385-722
5	Log #5		SRV385-723
6	Grate		2049-020
7	Burner Assembly		SRV2078-012
8	Base Refractory		SRV2078-110
9	Glass Door Assembly		GLA-6TRXI
10	Surround	No longer available	SRV2101-260
		Post Aug 2009	2166-019
11	Hood		SRV60-143-BK
12	Insulation Board		385-401
13	Top Louver		392-182A
14	Dress Guard		2078-040
15	Lower Door		2078-041
16	Blower Assembly 240v.		GFK-240V
17	Junction Box		2078-027
18	Cord		546-251A

No one builds a better fire

Beginning Manufacturing Date: July 2006

Ending Manufacturing Date: Oct 2010

#19 Valve Assembly



IMPORTANT: THIS IS DATED INFORMATION. Parts must be ordered from a dealer or distributor. **Hearth and Home Technologies does not sell directly to consumers.** Provide model number and serial number when requesting service parts from your dealer or distributor.

ITEM	DESCRIPTION	COMMENTS	PART NUMBER
19.1	Pilot Assembly N		2098-050
	Pilot Assembly P		2098-051
19.2	Pilot Bracket		2078-108
19.3	Valve Bracket		2118-104
19.4	Rheostat		491-510A
19.5	Rheostat Mounting Bracket		2078-122
19.6	Rheostat Knob		SRV100-512
19.7	Wire Assembly 20 in		107-558A
19.8	Valve N		SRV2078-007
	Valve P		SRV2078-008
19.9	Flexible Gas Connector		383-302A
19.10	Ignition Module	No longer available	2098-142
19.11	6 Volt Transformer		SRV2326-131
19.12	Block Control Wire	No longer available	2098-148
19.13	Switch Wire Assembly	No longer available	2098-145
19.14	Control Cable	No longer available	2098-143
19.15	Orifice N (#33C)		582-833
	Orifice P (#51C)		SRV582-851
	Orifice B (#53C)		582-853
19.16	Gas Shutoff Assembly		2098-034
19.17	Temp Sensor		046-530
19.18	Thermocouple Block	No longer available	2098-146

Additional service part numbers appear on following page.

