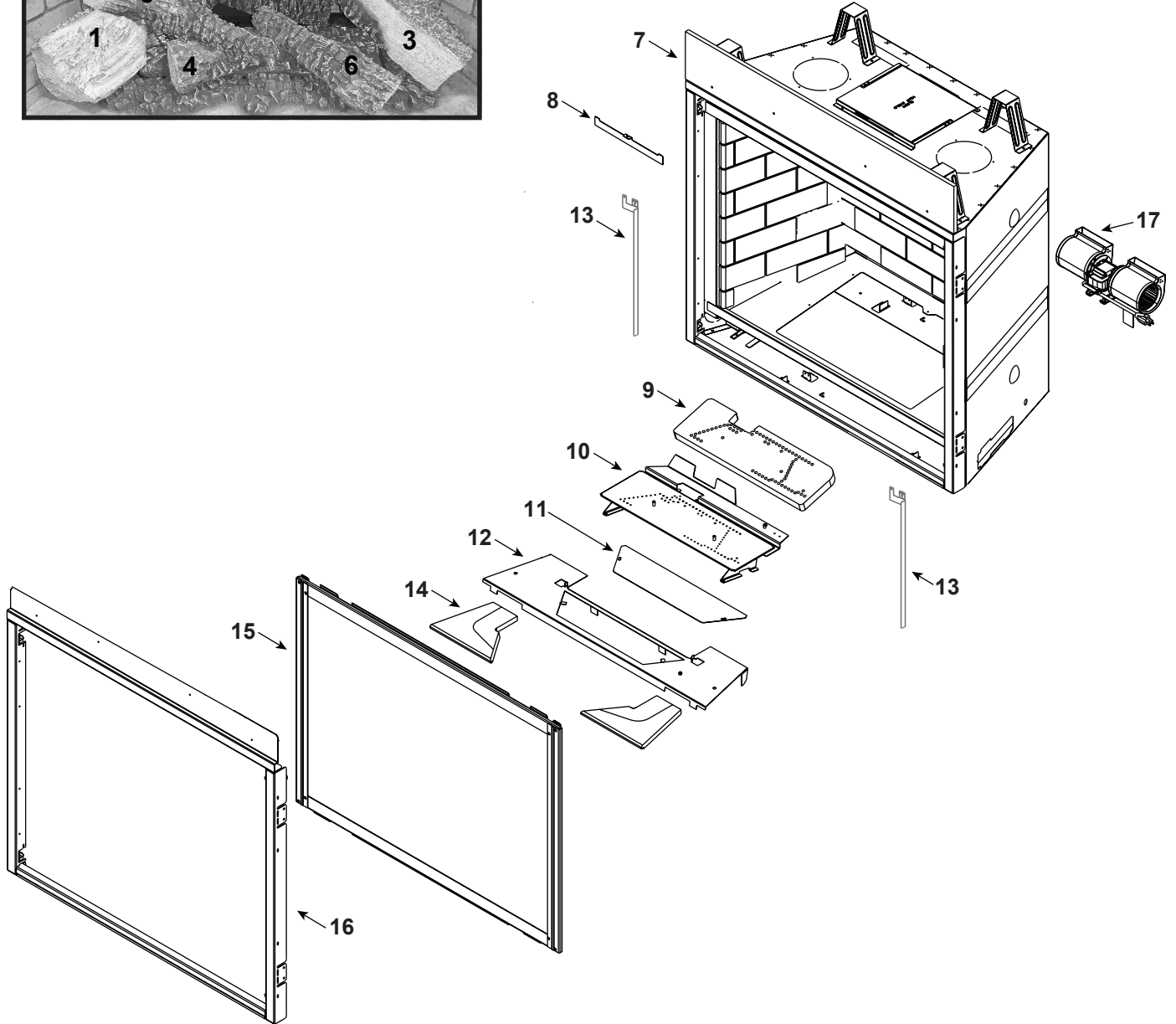
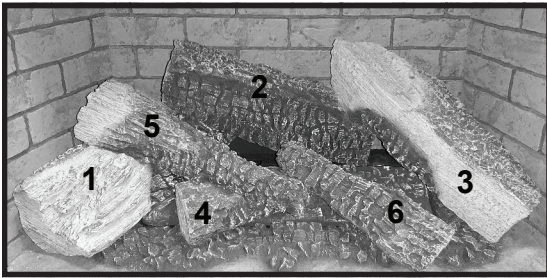


No one builds a better fire

Log Set Assembly



Part number list on following page.



No one builds a better fire

Beginning Manufacturing Date: Jun 2023
Ending Manufacturing Date: Active

IMPORTANT: THIS IS DATED INFORMATION. Parts must be ordered from a dealer or distributor. **Hearth and Home Technologies does not sell directly to consumers.** Provide model number and serial number when requesting service parts from your dealer or distributor.

ITEM	DESCRIPTION	COMMENTS	PART NUMBER
	Log Assembly		LOGS-6K
1	Log #1		SRV2582-700
2	Log #2		SRV2582-701
3	Log #3		SRV2582-702
4	Log #4		SRV2582-703
5	Log #5		SRV2582-704
6	Log #6		SRV2582-705
7	Non-combustible board		2583-137
8	Curtain, Flue Light		2583-179
9	Burner Overlay		SRV2583-127
10	Burner Assembly	NG & Propane	2589-007
		ULPG	2589-008
11	Mesh, Ember Bed		2583-157
12	Basket, Ember Bed		2583-156
	Glass Liner Kit (Back, Left, Right, Bases, Top, & Insulation Boards)		GL-36MX
	Magic Glass Assembly (Back, Left, & Right)		2592-079
13	Refractory Brackets BK (Right and Left)		SRV2583-747
14	Refractory Base (Right & Left)		SRV2583-076-BK
15	Glass Assembly		GLA-6KX
	Finishing Strips	Sold as set only	SRVFS-6K
16	Surround		SRV2583-019
	Surround Bottom		SRV2583-193-1
17	Blower		2264-500A
	Elbow Heat Shield		385-290
	Flue Restrictor		385-128
	Gasket Assembly (Vent, seal cap, cover, drawn neck, shutter, valve, & bulkhead)		2583-080
	Glass Clip Assembly (Top)	Qty 2 req	2155-047
	Glass Clip Assembly (Bottom)	Qty 2 req	2155-045
	Mineral Wool		050-721
	Seal Cap	Qty 2 req	4031-221
	Illuminated Embers Glass Media	4lbs.	2680-753

Additional service part numbers on following page.

No one builds a better fire

Beginning Manufacturing Date: Jun 2023
Ending Manufacturing Date: Active

IMPORTANT: THIS IS DATED INFORMATION. Parts must be ordered from a dealer or distributor. **Hearth and Home Technologies does not sell directly to consumers.** Provide model number and serial number when requesting service parts from your dealer or distributor.

ITEM	DESCRIPTION	COMMENTS	PART NUMBER
#17 Valve Assembly			
17.1	Shutter Assembly		2583-011
17.2	Bulkhead W/Flex tube		SRV7000-156
17.3	Pilot Assembly, NG		2106-169
	Pilot Assembly, LP		2106-170
	Pilot Tube		SRV485-301
17.4	3-Hole Grommet		SRV2118-420
17.5	Flex Ball Valve Assembly		SRV303-330
17.6	Valve, NG		SRV2166-302
	Valve, LP		2166-303
17.7	Male Connector	Pkg of 5	303-315/5
17.8	Kapton, Ember		2583-171
17.9	Glass, Ember		2583-173
17.10	LED Assembly, Ember Bed		2583-061
	Battery Holder		SRV2326-142
	Orifice, NG (#31C)		SRV582-831
	Orifice, LP (#49C)		SRV582-849
	Orifice, ULPG (#53C)		582-853

**Fuse for battery pack can be sourced locally, not a warranty item. Specs are 250v, 3A fuse, 3/4" long
Additional service part numbers on following page.

IMPORTANT: THIS IS DATED INFORMATION. Parts must be ordered from a dealer or distributor. **Hearth and Home Technologies does not sell directly to consumers.** Provide model number and serial number when requesting service parts from your dealer or distributor.

ITEM	DESCRIPTION	COMMENTS	PART NUMBER
<div style="text-align: center;"> </div>			
18.1	LED Wire		2589-160
18.2	LED Resistor Module		2326-125
18.3	AUX300 CE		2166-340
18.4	Harness, 6 Pin		SRV2583-063
18.5	Transformer, 6 Volt Wall		SRV2326-131
18.6	Module, IPI		2166-306
18.7	LED 12 Volt Power Supply		2326-114
18.8	Power Cord Assembly		2222-037
Conversion Kits			
	Conversion Kit NG		NGK-MID
	Conversion Kit Propane		LPK-MID
	Conversion Kit ULPG		6KX-N2B
	Pilot Orifice, NG		SRV593-528
	Pilot Orifice, Propane		SRV593-527
	Pilot Orifice, ULPG		593-529
	Regulator, NG		NGK-DXV-50
	Regulator, Propane		SRVLPK-DXV-50